

# ***PARTS LIST***

## **MF-7900(D)-H22/23 PARTS LIST**

下記 URL (PARTS Website/PC サイト) より、便利な検索機能のついた Web Parts Book をご利用頂けます。  
ご利用には会員登録が必要です。(無料)

<https://juki.aftama.com/JUKI/JA>

You can use a Web Parts Book with a convenient search function from the URLs (PARTS Website/PC-site)  
below. To use the PARTS Website, free membership registration is required.

<https://juki.aftama.com/JUKI/EN>

## HOW TO MAKE USE OF THIS PARTS LIST

### 1.Explanation of codes

1)"\*" mark.....means this part is changed from the previous parts book.

As to the details of the change,refer to "List for information of change".

2)"#01".....refer to "Note" explanation at bottom of page.

### 2.Codes on the "Qty" column

• Each numeral indicates the number of parts required.

• "0.1" and "2.5" indicate the length (in meters) of the respective parts.

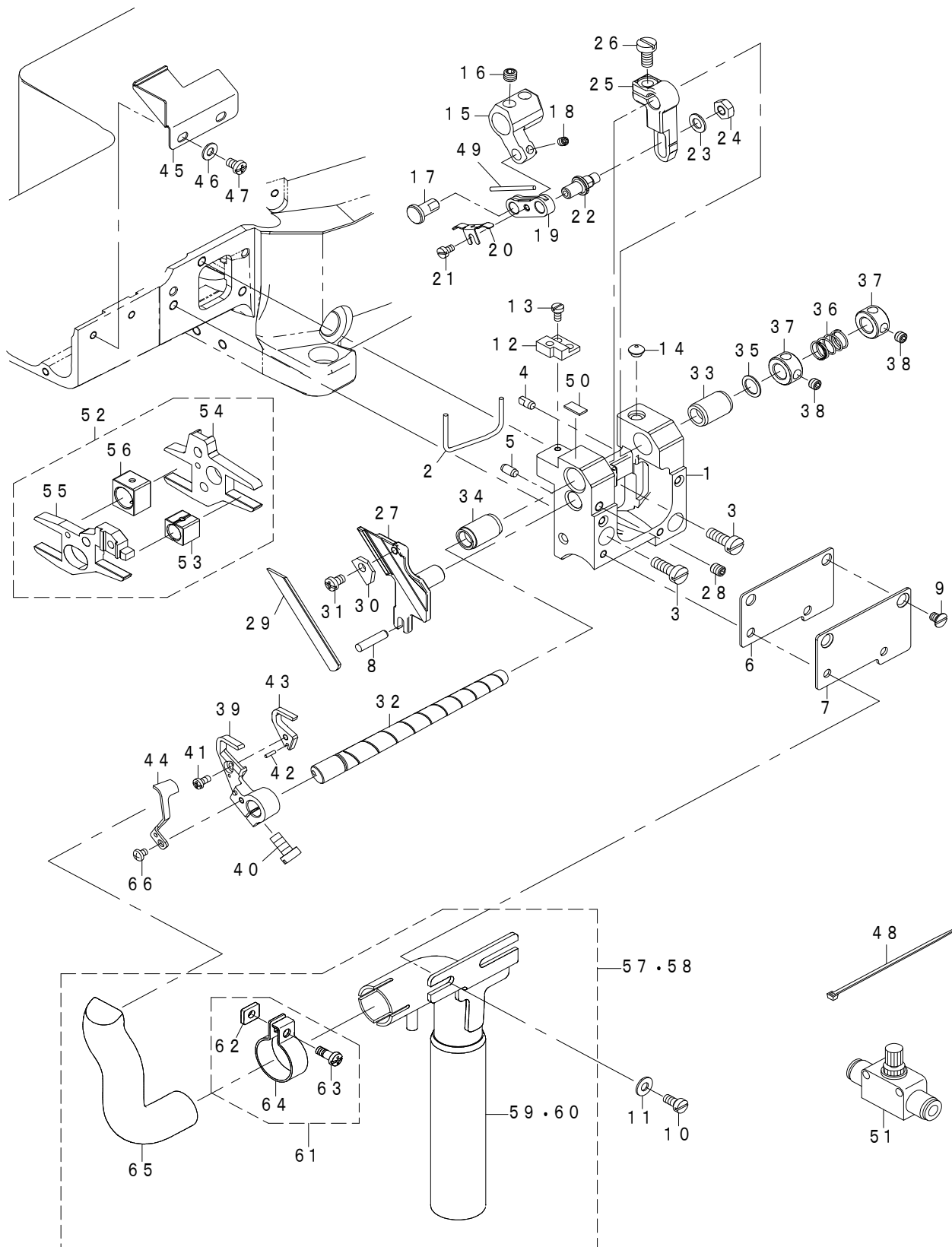
3.Parentheses mean that the corresponding part is a subpart that constructs an assembly part.

4.Dotted lines on the Figures indicate assembly parts.

# CONTENTS

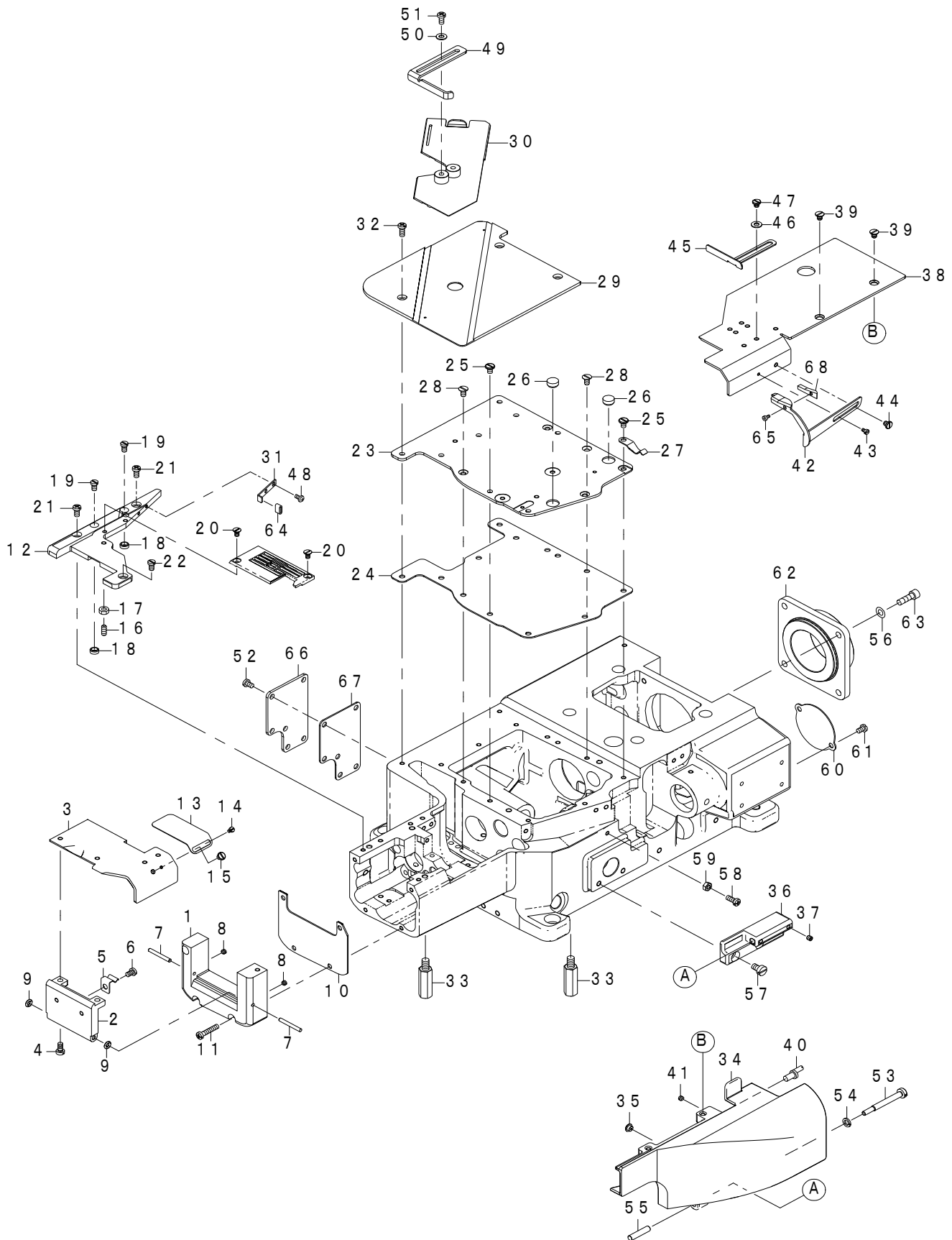
1. DEVICE COMPONENTS .....	1
2. MISCELLANEOUS COVER COMPONENTS .....	3
3. GAUGE COMPONENTS (FOR H22) .....	5
4. GAUGE COMPONENTS (FOR H23) .....	7
5. LIST FOR INFORMATION OF CHANGE.....	9
NUMERICAL INDEX OF PARTS.....	10

# 1. DEVICE COMPONENTS



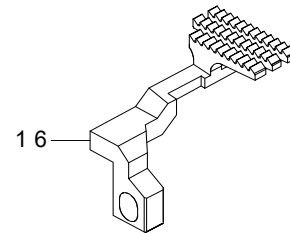
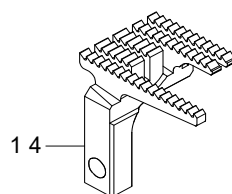
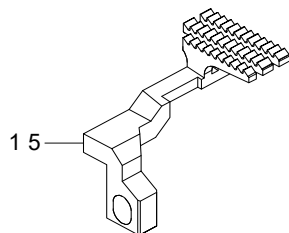
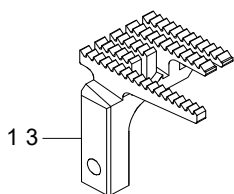
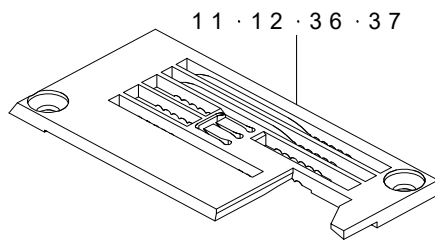
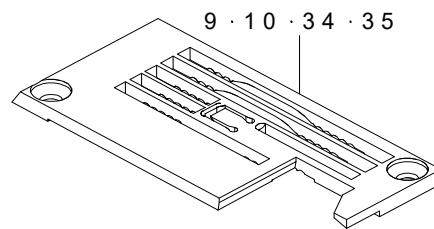
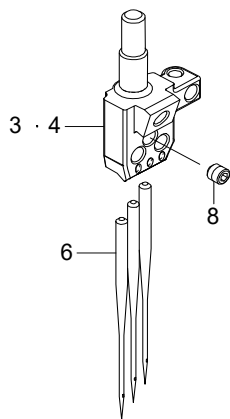
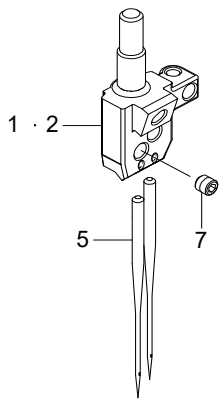
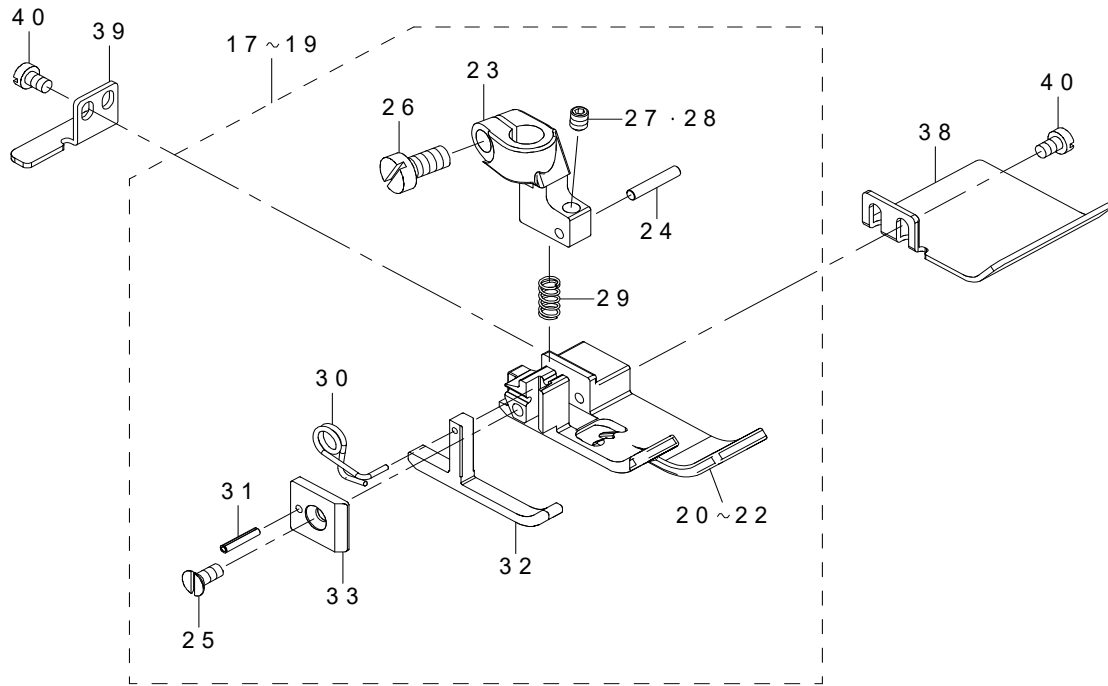
REF.NO	NOTE	PART NO	DESCRIPTION	Qty
1		700-01851	SUPPORT_BLOCK	1
2		RO-4372002-00	RUBBER_RING	1
3		SM-6051400-SP	SCREW	3
4		133-01908	DOWEL_PIN_2	1
5		133-02500	DOWEL_PIN_2	1
6		700-01863	S_B_COVER_GASKET	1
7		700-01864	SUPPORT_BLOCK_COVER	1
8		PH-0400185-S0	PIN	1
9		SM-1040650-TP	SCREW	2
10		SM-6040800-SP	SCREW	2
11		WP-0450801-SC	WASHER 4.5X10X0.8	2
12		400-40211	TP_ADJUST_PLATE	1
13		SM-6030600-SP	SCREW M3X0.5 L=6	2
14		133-02302	RUBBER BUMPER	1
15		134-61306	DRIVE_LEVER	1
16		SM-8060552-TP	SCREW M6 L=5	2
17		134-61504	LINK_PIN	1
18		SM-8040412-TP	SET SCREW M4 L=4	1
19		700-01856	LINK	1
20		700-01857	OIL_WICK_PLATE	1
21		SM-6030500-SN	SCREW M3 L=5	1
22		134-61207	ADJUST_PIN	1
23		WP-0550800-SP	WASHER 5.5X10X0.8	1
24		NM-6050001-SP	NUT M5	1
25		700-01858	ADJUST_LEVER	1
26		SM-6051000-SP	SCREW	1
27		700-01855	LOWER_KNIFE HOLDER	1
28		SM-8050612-TP	SCREW M5X6	1
29		400-42378	LOWER_KNIFE	1
30		400-42319	LOWER_KNIFE_PRESSER_PLATE	1
31		SM-4040655-SP	SCREW M4 L=6	1
32		700-04846	SHAFT	1
33		700-01853	BUSHING_RIGHT	1
34		700-01854	BUSHING_LEFT	1
35		WP-0820516-SP	WASHER 11.6X8.2X0.6	1
36		400-40306	UPPER_KNIFE_SPRING	1
37		CS-0800881-TP	THRUST_COLLAR	2
38		SM-8050412-TP	SCREW M5 L=4	2
39		401-81704	ASSY_UPPER_KNIFE HOLDER	1
40		SM-6051000-SP	SCREW	1
41		SM-4030655-SP	SCREW	1
42		PH-0150065-C0	PIN	1
43		700-01861	UPPER_KNIFE	1
44		700-04845	FABRIC_TRIMMER_GUIDE	1
45		700-01869	FEED_COVER	1
46		WP-0430801-SC	WASHER M4	2
47		SM-4040655-SP	SCREW M4 L=6	2
48		EA-9500B01-00	CABLE_BAND	1
49		CQ-3030000-00	COTTON OIL WICK D=3	0.2
50		134-03605	RUBBER_PLATE	1
51		PC-0126010-00	SPEED_CONTROLLER	1
52		400-40309	FEED_BAR_ASSY	1
53		134-13802	SLIDE_BLOCK_2	(1)
54		134-13901	MAIN_FEED_BAR	(1)
55		400-39915	DIFF_FEED_BAR	(1)
56		134-13703	SLIDE_BLOCK_1	(1)
57	#01	700-01880	SUCTION_PIPE_SET_TOP	1
58	#02	700-01881	SUCTION_PIPE_SET_SUB	1
59	#01	700-01877	SUCTION_PIPE_ASSY_TOP	(1)
60	#02	700-01878	SUCTION_PIPE_ASSY_SUB	(1)
61		400-43839	SUCTION_PIPE_JOINT_ASSY	(1)
62		400-43815	SUCTION_PIPE_NUT	(1)
63		SM-4041055-SP	SCREW	(1)
64		400-43800	SUCTION_PIPE_JOINT	(1)
65		400-42374	SUCTION_PIPE_1	(1)
66		SM-4030455-SP	SCREW	1
		NOTE	#01.....FOR TABLE ATTACH	
			#02.....FOR HALF-SUNKEN TYPE TABLE	

## 2. MISCELLANEOUS COVER COMPONENTS



REF.NO	NOTE	PART NO	DESCRIPTION	Qty
1		700-01866	CYLINDER COVER_H22	1
2		700-01655	SIDE_COVER_BOTTOM	1
3		700-01868	SIDE_COVER_UPPER_H22	1
4		SM-6040800-SP	SCREW	2
5		134-01906	LATCH SPRING 2	1
6		SM-4040655-SP	SCREW M4 L=6	1
7		PH-0300252-C0	PIN	2
8		SM-8040360-TP	SCREW	2
9		RO-0371801-00	RUBBER RING	2
10		700-01661	GASKET	1
11		SM-4042055-SP	SCREW	3
12	*	401-78901	THROAT_PLATE_SUPPORT_H22	1
13		700-01890	SIDE_COVER	1
14		SM-6850400-SP	SCREW M2.5 L=4	1
15		SM-6040450-TP	SCREW M4 L=4	1
16		SM-8041012-TP	SCREW M4 L=10	1
17		NM-6040000-SN	NUT M4	1
18		400-82196	ADJUSTING_COLLAR	2
19		SM-6040750-TP	SCREW M4 L=7	2
20		133-02203	SCREW	2
21		SM-4040855-SP	SCREW	2
22		SM-6040750-TP	SCREW M4 L=7	1
23		700-01662	COVER_PLATE	1
24		700-01663	GASKET_B	1
25		SM-6040800-SP	SCREW	6
26		TA-0980502-R0	RUBBER PLUG	2
27		134-02003	LATCH SPRING	1
28		SM-1040860-SP	SCREW	4
29	*	700-03355	CLOTH_PLATE_ASSY	1
30	*	134-63351	SLIDE_COVER_ASSY_H20	1
31	*	134-03407	SLIDE_COVER_SUPPORT	1
32		SM-4041055-SP	SCREW	3
33		133-01809	SUPPORT STUD	4
34		700-01870	SWING_DOWN_COVER	1
35		133-02302	RUBBER BUMPER	1
36		700-01648	HINGE	1
37		SM-8040412-TP	SET SCREW M4 L=4	2
38	*	700-03451	CLOTH_PLATE_FRONT_H22	1
39		SM-1040800-SP	SCREW	2
40		134-02706	PIN FOR COVER	1
41		SM-8040360-TP	SCREW	1
42		700-04847	HEM_GUIDE_LEFT	1
43		SM-6850400-SP	SCREW M2.5 L=4	1
44		SM-6040450-TP	SCREW M4 L=4	1
45	*	700-04248	HEM_GUIDE_RIGHT	1
46		WP-0430801-SC	WASHER M4	2
47		SM-6040450-TP	SCREW M4 L=4	2
48	*	SM-4030655-SP	SCREW	2
49	*	400-40255	HEM_GUIDE	1
50		WP-0430801-SC	WASHER M4	2
51	*	SM-4040855-SP	SCREW	2
52		SM-4040855-SP	SCREW	6
53		700-01414	SCREW	1
54		WS-0510002-KP	SPRING WASHER 5.1X9.2X1.3	1
55		134-09800	DIFF_LINK_PIN	1
56		WP-0531000-SD	WASHER M5	4
57		SM-6050800-SP	SCREW M5 L=8	2
58		SM-4041055-SP	SCREW	1
59		NM-6040000-SN	NUT M4	1
60		700-01673	LOOPER_THD_COVER	1
61		SM-4040655-SP	SCREW M4 L=6	2
62		700-01436	HOUSING	1
63		SM-6051602-TP	SCREW M5X0.8 L=16	4
64	*	236-30007	TUBE	0.005
65		SM-6850350-TP	FLAT SCREW	1
66		700-01642	COVER_FOR_FEED_ADJUST	1
67		700-01643	COVER_FOR_FEED_ADJUST_PACKING	1
68		700-04848	HEM_GUIDE_BLOCK	1

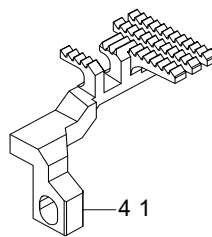
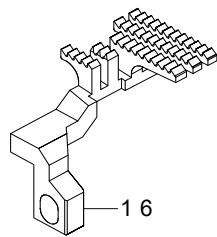
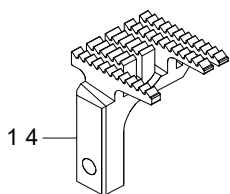
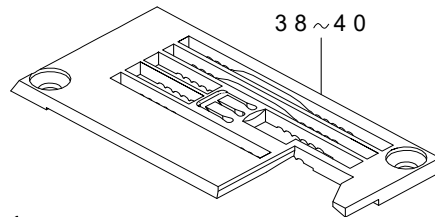
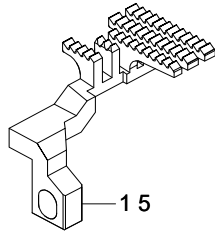
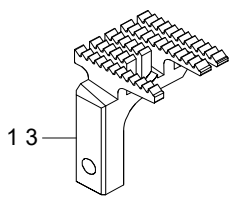
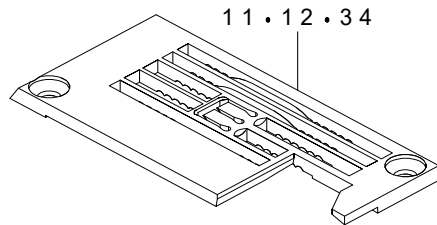
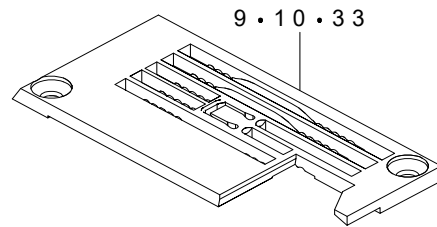
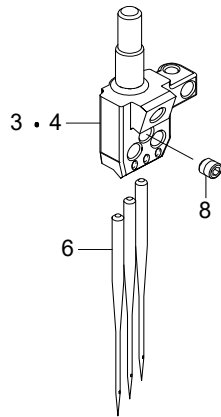
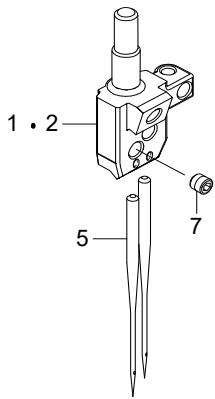
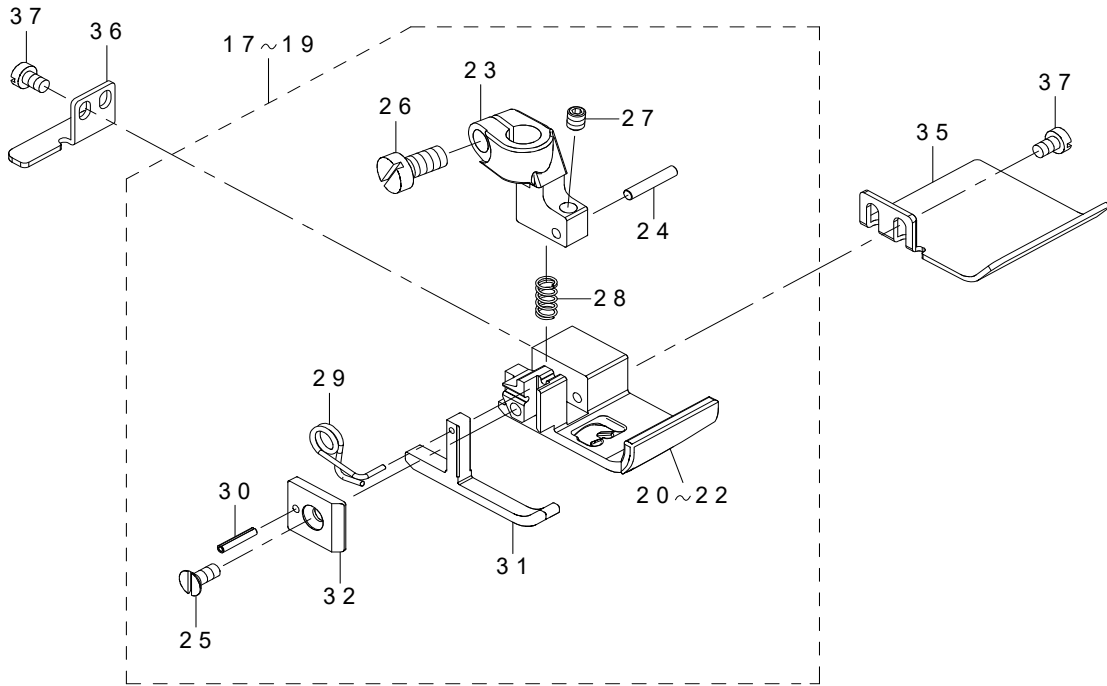
### 3. GAUGE COMPONENTS (FOR H22)





REF.NO	NOTE	PART NO	DESCRIPTION	Qty
1	#01	133-50103	NEEDLE HEAD 40	1
2	#02	133-50509	NEEDLE HEAD 48	1
3	#03	133-50301	NEEDLE HEAD 56	1
4	#04	133-50400	NEEDLE HEAD 64	1
5	#05	MUY-128S1000	NEEDLE	2
6	#06	MUY-128S1000	NEEDLE	3
7	#05	SM-8030312-TP	SCREW M3 L=3	3
8	#06	SM-8030312-TP	SCREW M3 L=3	4
9	#01	700-01948	THROAT PLATE	1
10	#02	700-01949	THROAT PLATE	1
11	#03	134-45200	THROAT PLATE	1
12	#04	134-45309	THROAT PLATE	1
13	#05	400-69021	MAIN FEED DOG	1
14	#06	134-31101	MAIN FEED DOG	1
15	#05	400-69022	DIFF FEED DOG	1
16	#06	400-69023	DIFF FEED DOG	1
17	#01	700-01952	PRESSER FOOT ASSY	1
18	#02	400-32255	PRESSER FOOT ASSEMBLY 48	1
19	#06	134-67758	PRESSER FOOT ASSY	1
20	#01	700-01951	PRESSER FOOT BOTTOM	(1)
21	#02	134-67600	PRESSER FOOT BOTTOM	(1)
22	#06	400-29648	PRESSER FOOT BOTTOM	(1)
23		134-67907	PRESSER FOOT SHANK	(1)
24		133-75209	PIVOT PIN	(1)
25		SM-1850600-SP	SCREW	(1)
26		SM-6040800-SP	SCREW	(1)
27		SM-8030402-TP	SCREW M3X0.5 L=4	(1)
28	#02	SM-8030412-TP	SCREW	(1)
29		133-77106	SPRING	(1)
30		133-75308	SPRING L	(1)
31		PS-0150082-KH	SPRING PIN	(1)
32		400-29649	YIELDING SECTION	(1)
33		134-68103	YIELDING SECTION PLATE	(1)
34	#07	400-69018	THROAT PLATE	1
35	#08	700-01950	THROAT PLATE	1
36	#09	400-69019	THROAT PLATE	1
37	#10	400-69020	THROAT PLATE	1
38	#11	400-38064	FABRIC GUIDE	1
39	#11	400-27899	FABRIC GUIDE	1
40	#11	SM-6850400-SP	SCREW M2.5 L=4	4
		NOTE	#01....FOR B40	
			#02....FOR B48	
			#03....FOR B56	
			#04....FOR B64	
			#05....FOR B40,B48	
			#06....FOR B56,B64	
			#07....FOR B40(OPTION TYPE D)	
			#08....FOR B48(OPTION TYPE D)	
			#09....FOR B56(OPTION TYPE D)	
			#10....FOR B64(OPTION TYPE D)	
			#11....ACCESSORY PARTS	

#### 4. GAUGE COMPONENTS (FOR H23)



REF.NO	NOTE	PART NO	DESCRIPTION	Qty
1	#01	133-50103	NEEDLE_HEAD_40	1
2	#02	133-50509	NEEDLE_HEAD_48	1
3	#03	133-50301	NEEDLE_HEAD_56	1
4	#04	133-50400	NEEDLE_HEAD_64	1
5	#05	MUY-128S1000	NEEDLE	2
6	#06	MUY-128S1000	NEEDLE	3
7	#05	SM-8030312-TP	SCREW M3 L=3	3
8	#06	SM-8030312-TP	SCREW M3 L=3	4
9	#01	400-58639	THROAT_PLATE	1
10	#02	134-45101	THROAT_PLATE	1
11	#03	400-41203	THROAT_PLATE	1
12	#04	400-41204	THROAT_PLATE	1
13	#05	400-41249	MAIN_FEED_DOG	1
14	#06	400-32900	MAIN_FEED_DOG	1
15	#05	400-41233	DIFF_FEED_DOG	1
16	#06	400-40376	DIFF_FEED_DOG	1
17	#01	400-48637	PRESSER_FOOT_ASSY	1
18	#02	400-39796	PRESSER_FOOT_ASSY	1
19	#06	400-39794	PRESSER_FOOT_ASSY	1
20	#01	400-48636	PRESSER_FOOT_BOTTOM	(1)
21	#02	400-39795	PRESSER_FOOT_BOTTOM	(1)
22	#06	400-38066	PRESSER_FOOT_BOTTOM	(1)
23		134-67907	PRESSER_FOOT_SHANK	(1)
24		133-75209	PIVOT_PIN	(1)
25		SM-1850600-SP	SCREW	(1)
26		SM-6040800-SP	SCREW	(1)
27		SM-8030412-TP	SCREW	(1)
28		133-77106	SPRING	(1)
29		133-75308	SPRING_L	(1)
30		PS-0150082-KH	SPRING_PIN	(1)
31		400-38032	YIELDING_SECTION	(1)
32		134-68103	YIELDING_SECTION_PLATE	(1)
33	#07	400-35066	THROAT_PLATE	1
34	#08	400-49944	THROAT_PLATE	1
35	#09	400-38064	FABRIC_GUIDE	1
36	#09	400-27899	FABRIC_GUIDE	1
37	#09	SM-6850400-SP	SCREW M2.5 L=4	4
38	#10	700-01885	THROAT_PLATE_B56	1
39	#10	700-01886	THROAT_PLATE_D56	1
40	#10	700-04254	THROAT_PLATE	1
41	#10	700-01887	DIFF_FEED_DOG	1

NOTE

#01....FOR B40  
#02....FOR B48  
#03....FOR B56  
#04....FOR B64  
#05....FOR B40,B48  
#06....FOR B56,B64  
#07....FOR B40(OPTION TYPE D)  
#08....FOR B56(OPTION TYPE D)  
#09....ACCESSORY PARTS  
#10....FOR TURKEY



NUMERICAL INDEX OF PARTS

PART NO	PAGE	REF NO	PART NO	PAGE	REF NO	PART NO	PAGE	REF NO	PART NO	PAGE	REF NO
CQ-3030000-00	2	49	SM-8040412-TP	4	37	400-39795	8	21	700-04847	4	42
CS-0800881-TP	2	37	SM-8041012-TP	4	16	400-39796	8	18	700-04848	4	68
			SM-8050412-TP	2	38	400-39915	2	55			
EA-9500B01-00	2	48	SM-8050612-TP	2	28	400-40211	2	12			
			SM-8060552-TP	2	16	400-40255	4	49			
MUY-128S1000	6	5				400-40306	2	36			
MUY-128S1000	6	6	TA-0980502-R0	4	26	400-40309	2	52			
MUY-128S1000	8	5				400-40376	8	16			
MUY-128S1000	8	6	WP-0430801-SC	2	46	400-41203	8	11			
			WP-0430801-SC	4	46	400-41204	8	12			
NM-6040000-SN	4	17	WP-0430801-SC	4	50	400-41233	8	15			
NM-6040000-SN	4	59	WP-0450801-SC	2	11	400-41249	8	13			
NM-6050001-SP	2	24	WP-0531000-SD	4	56	400-42319	2	30			
			WP-0550800-SP	2	23	400-42374	2	65			
PC-0126010-00	2	51	WP-0820516-SP	2	35	400-42378	2	29			
PH-0150065-C0	2	42	WS-0510002-KP	4	54	400-43800	2	64			
PH-0300252-C0	4	7				400-43815	2	62			
PH-0400185-S0	2	8	133-01809	4	33	400-43839	2	61			
PS-0150082-KH	6	31	133-01908	2	4	400-48636	8	20			
PS-0150082-KH	8	30	133-02203	4	20	400-48637	8	17			
			133-02302	2	14	400-49944	8	34			
RO-0371801-00	4	9	133-02302	4	35	400-58639	8	9			
RO-4372002-00	2	2	133-02500	2	5	400-69018	6	34			
			133-50103	6	1	400-69019	6	36			
SM-1040650-TP	2	9	133-50103	8	1	400-69020	6	37			
SM-1040800-SP	4	39	133-50301	6	3	400-69021	6	13			
SM-1040860-SP	4	28	133-50301	8	3	400-69022	6	15			
SM-1850600-SP	6	25	133-50400	6	4	400-69023	6	16			
SM-1850600-SP	8	25	133-50400	8	4	400-82196	4	18			
SM-4030455-SP	2	66	133-50509	6	2	401-78901	4	12			
SM-4030655-SP	2	41	133-50509	8	2	401-81704	2	39			
SM-4030655-SP	4	48	133-75209	6	24						
SM-4040655-SP	2	31	133-75209	8	24	700-01414	4	53			
SM-4040655-SP	2	47	133-75308	6	30	700-01436	4	62			
SM-4040655-SP	4	6	133-75308	8	29	700-01642	4	66			
SM-4040655-SP	4	61	133-77106	6	29	700-01643	4	67			
SM-4040855-SP	4	21	133-77106	8	28	700-01648	4	36			
SM-4040855-SP	4	51	134-01906	4	5	700-01655	4	2			
SM-4040855-SP	4	52	134-02003	4	27	700-01661	4	10			
SM-4041055-SP	2	63	134-02706	4	40	700-01662	4	23			
SM-4041055-SP	4	32	134-03407	4	31	700-01663	4	24			
SM-4041055-SP	4	58	134-03605	2	50	700-01673	4	60			
SM-4042055-SP	4	11	134-09800	4	55	700-01851	2	1			
SM-6030500-SN	2	21	134-13703	2	56	700-01853	2	33			
SM-6030600-SP	2	13	134-13802	2	53	700-01854	2	34			
SM-6040450-TP	4	15	134-13901	2	54	700-01855	2	27			
SM-6040450-TP	4	44	134-31101	6	14	700-01856	2	19			
SM-6040450-TP	4	47	134-45101	8	10	700-01857	2	20			
SM-6040750-TP	4	19	134-45200	6	11	700-01858	2	25			
SM-6040750-TP	4	22	134-45309	6	12	700-01861	2	43			
SM-6040800-SP	2	10	134-61207	2	22	700-01863	2	6			
SM-6040800-SP	4	4	134-61306	2	15	700-01864	2	7			
SM-6040800-SP	4	25	134-61504	2	17	700-01866	4	1			
SM-6040800-SP	6	26	134-63351	4	30	700-01868	4	3			
SM-6040800-SP	8	26	134-67600	6	21	700-01869	2	45			
SM-6050800-SP	4	57	134-67758	6	19	700-01870	4	34			
SM-6051000-SP	2	26	134-67907	6	23	700-01877	2	59			
SM-6051000-SP	2	40	134-67907	8	23	700-01878	2	60			
SM-6051400-SP	2	3	134-68103	6	33	700-01880	2	57			
SM-6051602-TP	4	63	134-68103	8	32	700-01881	2	58			
SM-6850350-TP	4	65				700-01885	8	38			
SM-6850400-SP	4	14	236-30007	4	64	700-01886	8	39			
SM-6850400-SP	4	43				700-01887	8	41			
SM-6850400-SP	6	40	400-27899	6	39	700-01890	4	13			
SM-6850400-SP	8	37	400-27899	8	36	700-01948	6	9			
SM-8030312-TP	6	7	400-29648	6	22	700-01949	6	10			
SM-8030312-TP	6	8	400-29649	6	32	700-01950	6	35			
SM-8030312-TP	8	7	400-32255	6	18	700-01951	6	20			
SM-8030312-TP	8	8	400-32900	8	14	700-01952	6	17			
SM-8030402-TP	6	27	400-35066	8	33	700-03355	4	29			
SM-8030412-TP	6	28	400-38032	8	31	700-03451	4	38			
SM-8030412-TP	8	27	400-38064	6	38	700-04248	4	45			
SM-8040360-TP	4	8	400-38064	8	35	700-04254	8	40			
SM-8040360-TP	4	41	400-38066	8	22	700-04845	2	44			
SM-8040412-TP	2	18	400-39794	8	19	700-04846	2	32			