

PARTS LIST

UT42/UT45 PARTS LIST

下記 URL (PARTS Website/PC サイト) より、便利な検索機能のついた Web Parts Book をご利用頂けます。
ご利用には会員登録が必要です。(無料)

<https://juki.aftama.com/JUKI/JA>

You can use a Web Parts Book with a convenient search function from the URLs (PARTS Website/PC-site)
below. To use the PARTS Website, free membership registration is required.

<https://juki.aftama.com/JUKI/EN>

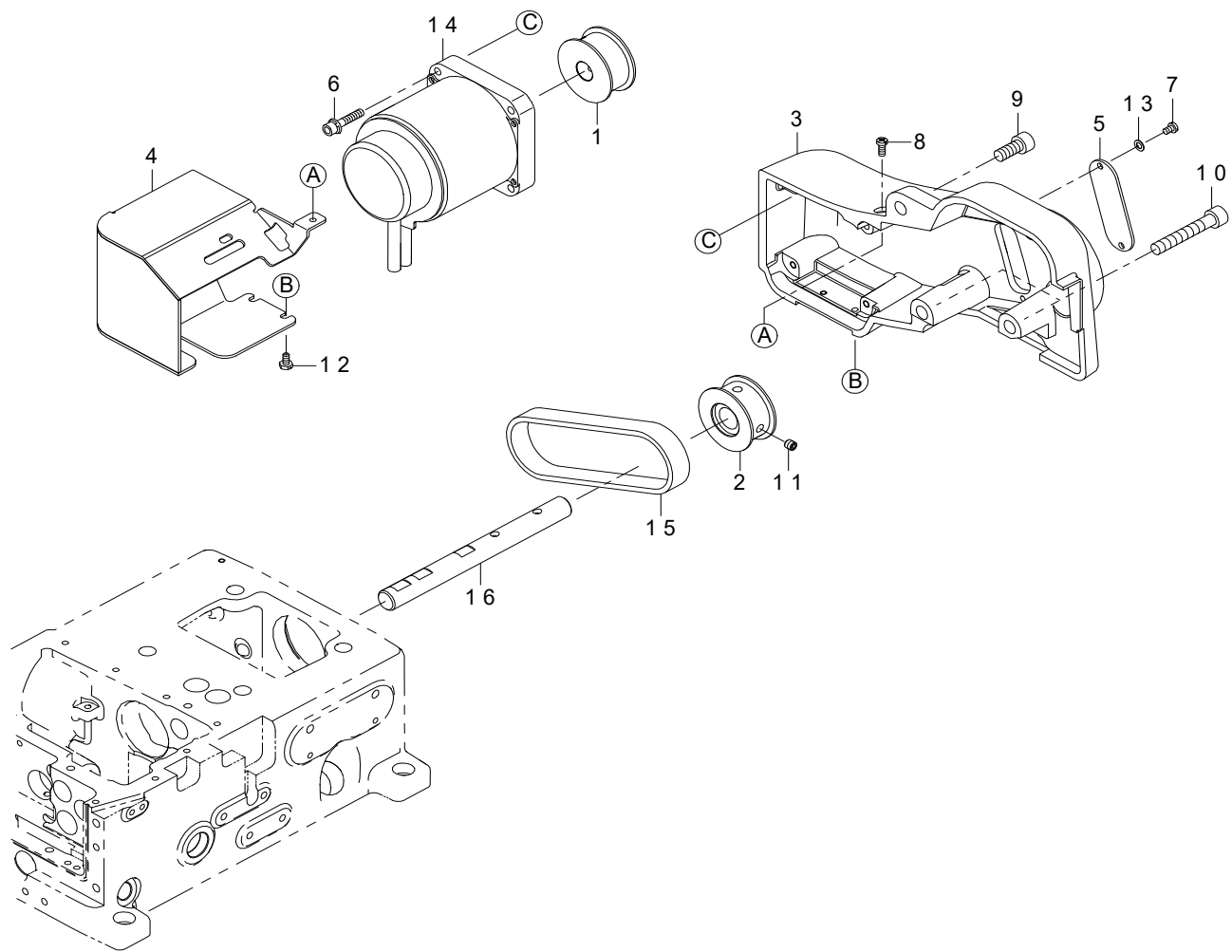
HOW TO MAKE USE OF THIS PARTS LIST

- 1.As to "#01" and "#02" refer to the "Note" given at the bottom of the respective pages.
- 2.Codes on the "Qty" column
 - Each numeral indicates the number of parts required.
 - "0.1" and "2.5" indicate the length (in meters) of the respective parts.
- 3.Parentheses mean that the corresponding part is a subpart that constructs an assembly part.
- 4.Dotted lines on the Figures indicate assembly parts.

CONTENTS

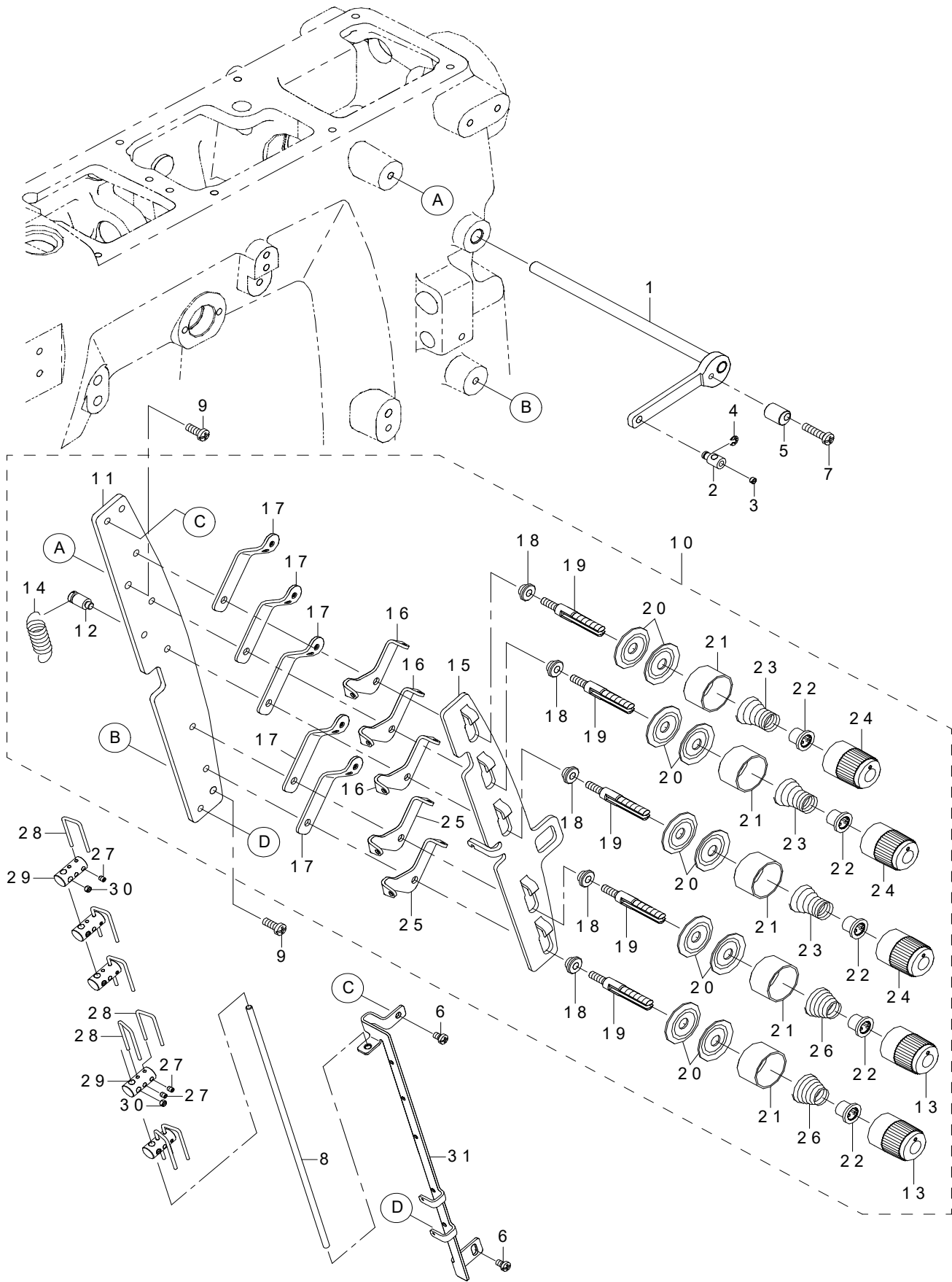
1. MISCELLANEOUS COVER COMPONENTS	1
2. THREAD TENSION COMPONENTS.....	3
3. LOOPER THREAD TRIMMER COMPONENTS	5
4. PNEUMATIC DRIVE & PRESSER FEED LIFTER COMPONENTS (FOR UT42).....	7
5. PNEUMATIC DRIVE & PRESSER FEED LIFTER COMPONENTS (FOR UT45).....	9
6. TOP COVER THREAD TRIMMER COMPONENTS (FOR UT42).....	11
7. TOP COVER THREAD TRIMMER COMPONENTS (FOR UT45).....	13
8. TOP COVER THREAD TRIMMER COMPONENTS (FOR UT45A).....	14
9. ACCESSORIE PART COMPONENTS	15
NUMERICAL INDEX OF PARTS.....	16

1. MISCELLANEOUS COVER COMPONENTS



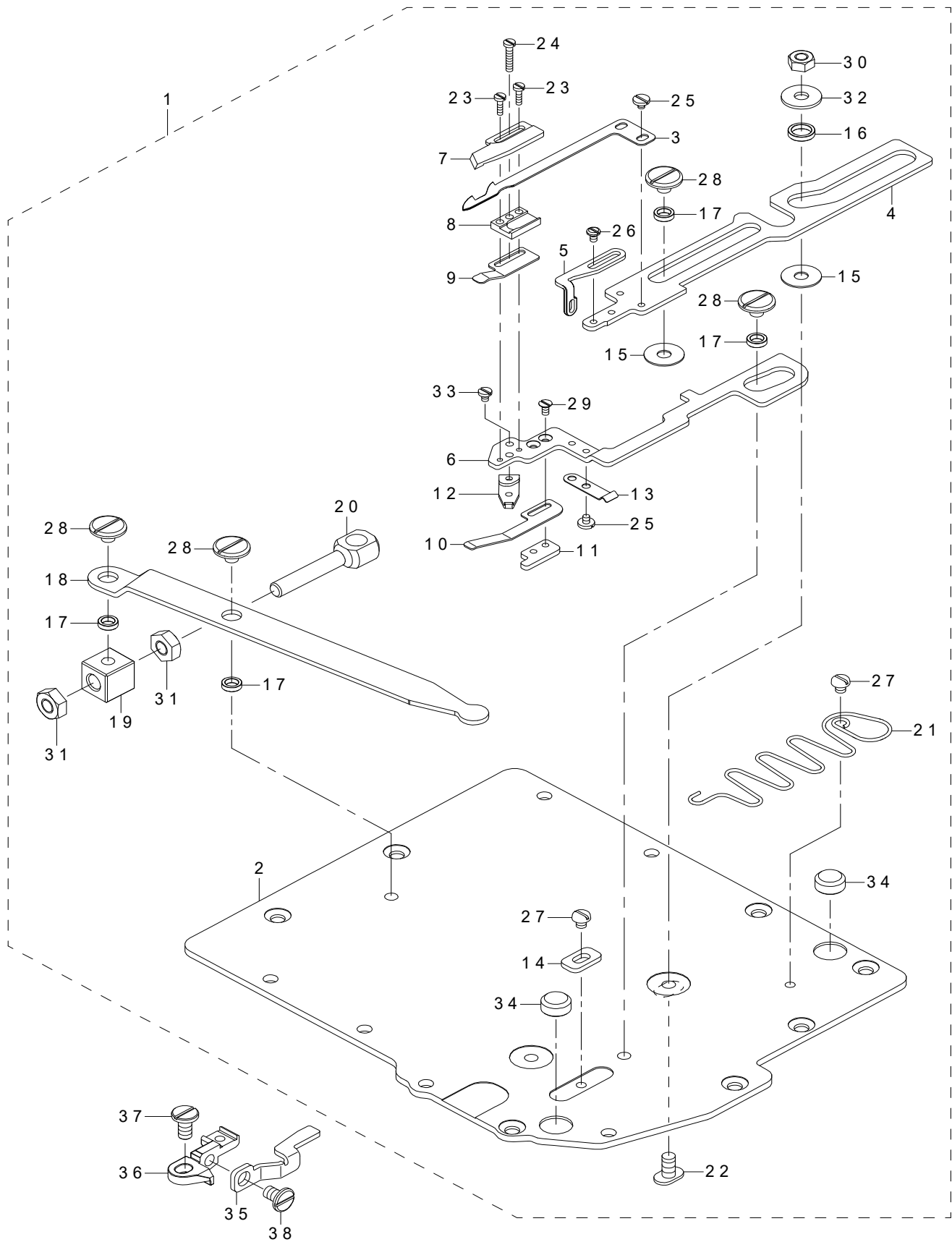
REF.NO	NOTE	PART NO	DESCRIPTION	Qty
1		400-93265	MOTOR_SHAFT_SPROCKET	1
2		400-93266	LMS_SPROCKET	1
3		400-93372	MOTOR_BRACKET_MASKING	1
4		400-93353	MOTOR_COVER	1
5		400-93368	MOTOR_BRACKET_COVER	1
6		SL-6052592-TN	BOLT	4
7		SM-4040655-SP	SCREW M4 L=6	2
8		SM-4041055-SP	SCREW	1
9		SM-6081802-TP	SCREW	1
10		SM-6085002-TP	SCREW	2
11		SM-8060612-TP	SCREW M6 L=6	2
12		SM-9040800-SN	SCREW M4 L=8	2
13		WP-0450000-SD	WASHER 4.5X8X0.5	2
14		400-94224	SERVO MOTOR	1
15		400-94442	TIMING BELT	1
16		400-93350	LOWER_MAIN_SHAFT_BD	1

2. THREAD TENSION COMPONENTS



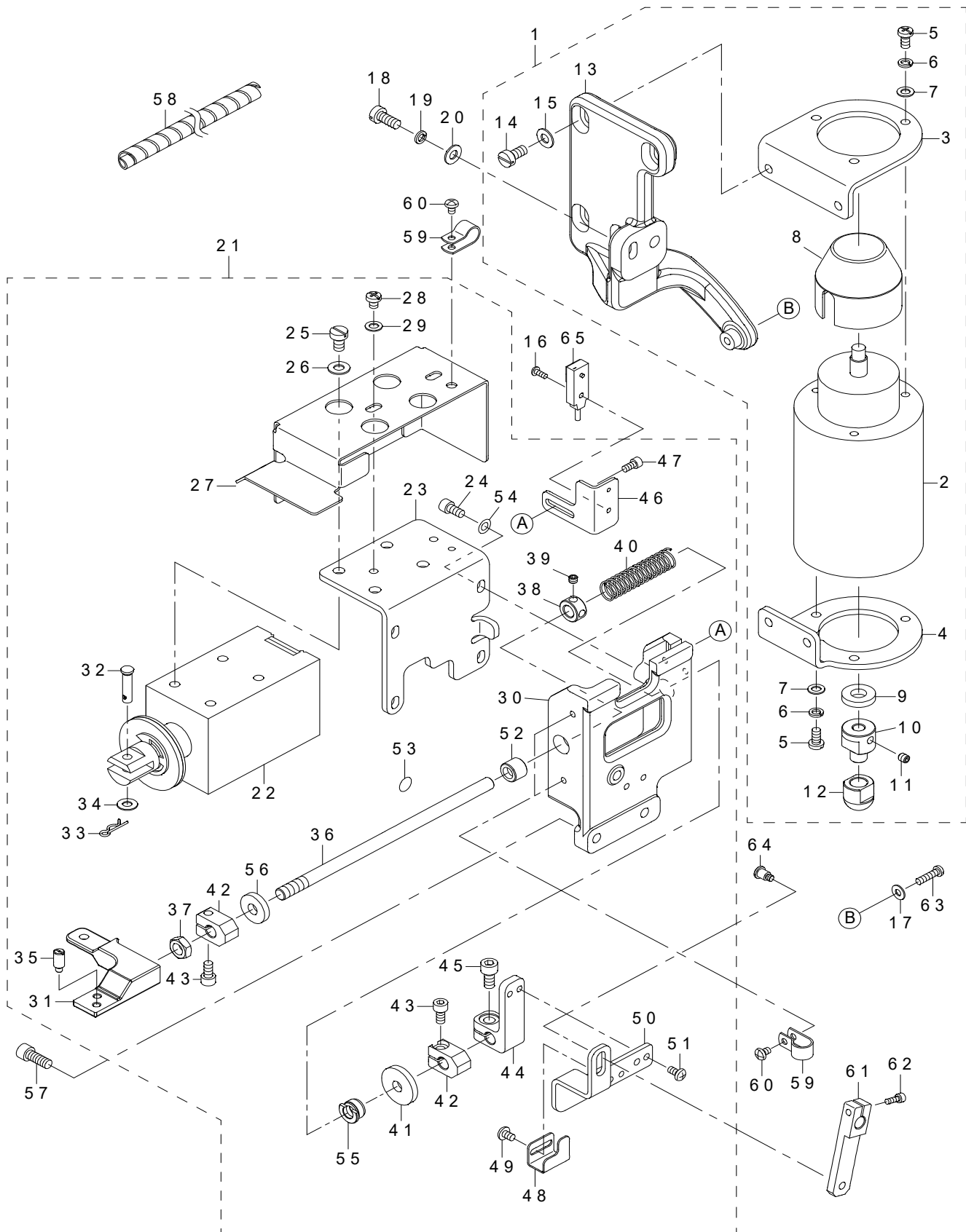
REF.NO	NOTE	PART NO	DESCRIPTION	Qty
1		134-56553	PULL_OFF_LEVER_ASSY	1
2		134-56405	THD_PULL_OFF_BAR HOLDER	1
3		SM-8040360-TP	SCREW	1
4		RE-0300000-K0	E-RING 3	1
5		400-65785	TENS_RELEASE_ADJ_ECC	1
6		SM-4040655-SP	SCREW M4 L=6	2
7		SM-4041655-SP	SCREW M4 L=16	1
8		134-56108	PULL_OFF_BAR	1
9		SM-4041055-SP	SCREW	2
10		400-66136	THREAD TENSION ASSY	1
11		133-40203	TENSION POST SUPPORT	(1)
12		133-40302	SHOULDER SCREW	(1)
13		400-42363	KNOB	(2)
14		B2008-372-000	THREAD TENSION SPRING	(1)
15		400-65784	TENSION_DISC_SEPARATOR	(1)
16		133-41607	TENSION_DISC_EYELET_2	(3)
17		133-40609	THREAD LEAD IN GUIDE	(5)
18		133-40708	SPACER	(5)
19		400-42362	TENSION POST	(5)
20		131-38201	THREAD TENSION DISK	(10)
21		400-42366	THREAD TENSION DISK PRESSER	(5)
22		400-42365	SPRING BUSHING	(5)
23		131-40504	TENSION SPRING	(3)
24		400-42364	KNOB GREEN	(3)
25		133-40500	TENSION DISC EYELET	(2)
26		B3121-804-000	TENSION SPRING	(2)
27		SM-8030412-TP	SCREW	7
28		134-56603	THD_PULL_OFF_HOOK	7
29		134-56207	THD_P_O_HOOK_GUIDE	5
30		SM-8040360-TP	SCREW	5
31		134-56009	THREAD_GUIDE	1

3. LOOPER THREAD TRIMMER COMPONENTS



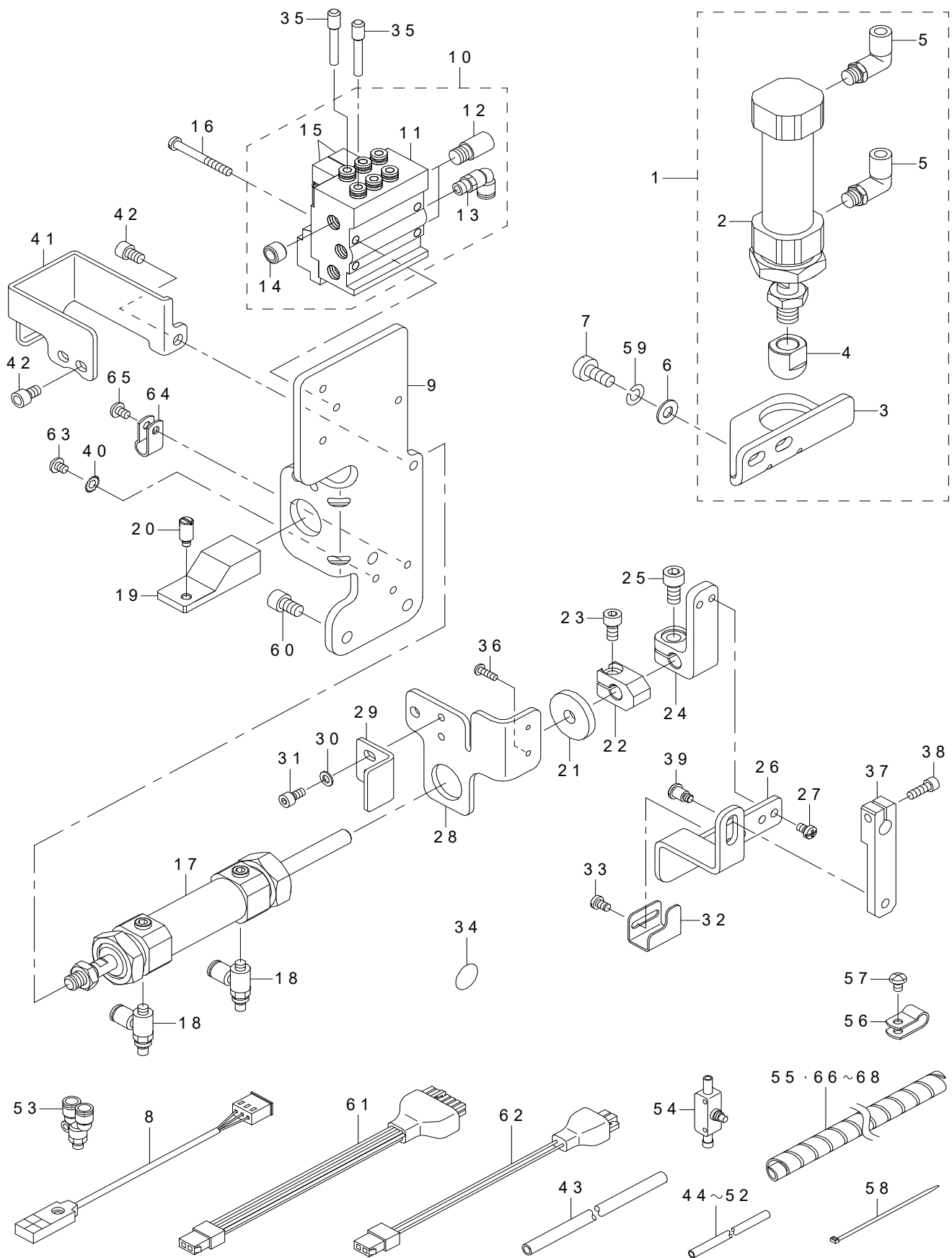
REF.NO	NOTE	PART NO	DESCRIPTION	Qty
1		400-86304	UNDER_TRIMMER_ASSY	1
2		400-86287	COVER_PLATE	(1)
3		400-86274	LOWER_KNIFE	(1)
4		400-86275	LOWER_KNIFE HOLDER	(1)
5		400-86276	THREAD_GUIDE	(1)
6		400-86281	KNIFE_GUIDE HOLDER	(1)
7		400-86277	UPPER_KNIFE	(1)
8		400-86278	LOWER_KNIFE_GUIDE	(1)
9		400-86279	KNIFE_SPRING	(1)
10		400-86280	THREAD_CLAMP	(1)
11		400-86282	PLATE	(1)
12		400-86308	TENSION_LEVER	(1)
13		400-86286	GUIDE_SPRING	(1)
14		400-86290	STOPPER	(1)
15		WP-0420516-KH	THRUST WASHER 4.2	(1)
16		400-86292	COLLAR_D8	(1)
17		400-86293	COLLAR_D6	(1)
18		400-86294	LEVER	(1)
19		400-86295	CONNECTING_BLOCK_A	(1)
20		400-86296	CONNECTING_BLOCK_B	(1)
21		134-40409	SPRING_FOR_UT	(1)
22		400-70110	SCREW	(1)
23		400-86298	SCREW_M1.6 L=6	(1)
24		400-86299	SCREW_M2 L=10	(1)
25		400-86300	SCREW_M2 L=2.3	(1)
26		400-86301	SCREW_M2 L=3	(1)
27		400-86302	SCREW_M3 L=3	(1)
28		400-86303	SCREW_M4X0.5 L=4	(1)
29		SM-1020450-TP	SCREW M2 L=4	(1)
30		NM-6040001-SP	NUT M4X0.7	(1)
31		NM-6050001-SP	NUT M5	(1)
32		WP-0431005-SP	PLAIN WASHER 4.3X12X1	(1)
33		SM-6020350-SP	SCREW M2 L=2.5	(1)
34		TA-0900502-R0	PLUG D=9 L=4.5	(1)
35		400-86289	SUPPORT_PLATE	1
36		400-86288	SUPPORT_BASE	1
37		SM-6040860-TP	SCREW M4 L=8	1
38		SM-6040650-TP	SCREW M4 L=8	1

4. PNEUMATIC DRIVE & PRESSER FEED LIFTER COMPONENTS (FOR UT42)



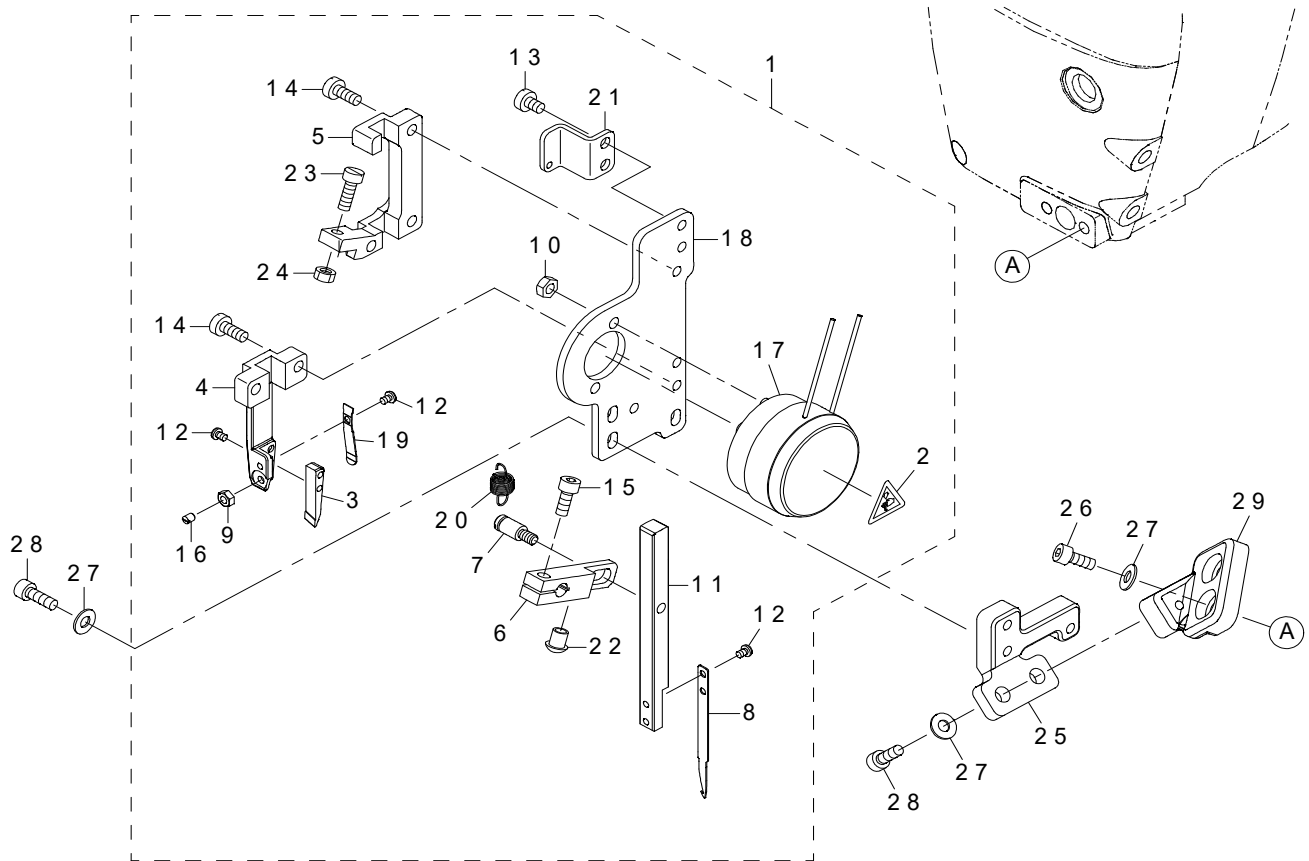
REF.NO	NOTE	PART NO	DESCRIPTION	Qty
1		400-30477	SOLENOID_ASSY_B	1
2		400-30478	SOLENOID_ASSY_A	(1)
3		400-32444	SOLENOID_BRACKET_UPPER	(1)
4		400-32445	SOLENOID_BRACKET_LOWER	(1)
5		SM-4051055-SP	SCREW	(6)
6		WS-0510002-KP	SPRING WASHER 5.1X9.2X1.3	(6)
7		WP-0550800-SP	WASHER 5.5X10X0.8	(6)
8		GAK-3303600A	SOLENOID COVER	(1)
9		400-32703	P_F_RUBBER_WASHER	(1)
10		400-32447	CAP_JOINT	(1)
11		SM-8050802-TP	SCREW M5 L=6	(1)
12		134-55100	AIR_CYLINDER_CAP	(1)
13		400-32446	SOLENOID_BRACKET	(1)
14		SM-6061200-SP	SCREW	(4)
15		WP-0621016-SD	WASHER 6.2X13X1	(4)
16		SM-4030855-SN	SCREW M3 L=8.0	1
17		WP-0450826-SC	WASHER 4.5X10X0.8	1
18		SM-6061400-SP	SCREW M6 L=14	1
19		WS-0610002-KP	SPRING WASHER	1
20		WP-0621016-SD	WASHER 6.2X13X1	1
21		400-30482	UT_ELECTRIC_DRIVE_ASSY	1
22		400-40271	UT_SOLENOID_ASSY	(1)
23		400-26935	SOLENOID_BRACKET	(1)
24		SM-6051002-TP	SCREW M5X0.8 L=10	(4)
25		SM-6061010-TP	SCREW M6 L=10	(4)
26		WP-0621016-SD	WASHER 6.2X13X1	(4)
27		400-39670	SOLENOID_COVER	(1)
28		SM-4050655-SP	SCREW M5 L=6	(2)
29		WP-0550800-SP	WASHER 5.5X10X0.8	(2)
30		400-40662	UT_SOLENOID_BASE	(1)
31		400-26848	CONN_BLOCK	(1)
32		400-39669	MAGNET_PIN	(1)
33		B1515-210-D00	PIN	(1)
34		WP-0560860-SE	WASHER 5.6X12X0.8	(1)
35		134-42702	PIN	(1)
36		400-24097	UT_SHAFT	(1)
37		NM-6080003-SC	NUT M8	(1)
38		CS-0800881-TP	THRUST COLLAR	(1)
39		SM-8050412-TP	SCREW M5 L=4	(2)
40		400-42567	SPRING	(1)
41		134-43601	WASHER	(1)
42		134-42900	COLLAR	(2)
43		SM-6051002-TP	SCREW M5X0.8 L=10	(2)
44		134-43007	PLATE HOLDER	(1)
45		SM-6061202-TP	SCREW M6 L=12	(1)
46		400-24101	SENSOR HOLDER	(1)
47		SM-6040802-TN	SCREW	(2)
48		134-43205	SWITCH_PLATE	(1)
49		SM-4040655-SP	SCREW M4 L=6	(2)
50		134-43106	TENS_RELEASE_PLATE	(1)
51		SM-4040855-SP	SCREW	(2)
52		400-40661	BUSHING_UT_SHAFT	(1)
53		229-01805	GROUND MARK	(1)
54		WP-0550800-SP	WASHER 5.5X10X0.8	(4)
55		400-38380	BUSHING_UT_SHAFT_RIGHT	(1)
56		400-38259	WASHER	(1)
57		SM-6061602-TP	SCREW M6 L=16	3
58		HX-0031400-0A	SPIRAL TUBE	0.6
59		HX-0015000-0D	CABLE CLIP	3
60		SM-4040655-SP	SCREW M4 L=6	3
61		134-43304	TENSION_RELEASE_LEVER	1
62		SM-6041202-TP	SCREW M4X0.7 L=12	1
63		SM-4041655-SP	SCREW M4 L=16	1
64		SD-0700706-TP	SHOULDER SCREW	1
65		400-21746	UNDER_TRIMMER_SENSOR_CABLE_ASM	1

5. PNEUMATIC DRIVE & PRESSER FEED LIFTER COMPONENTS (FOR UT45)



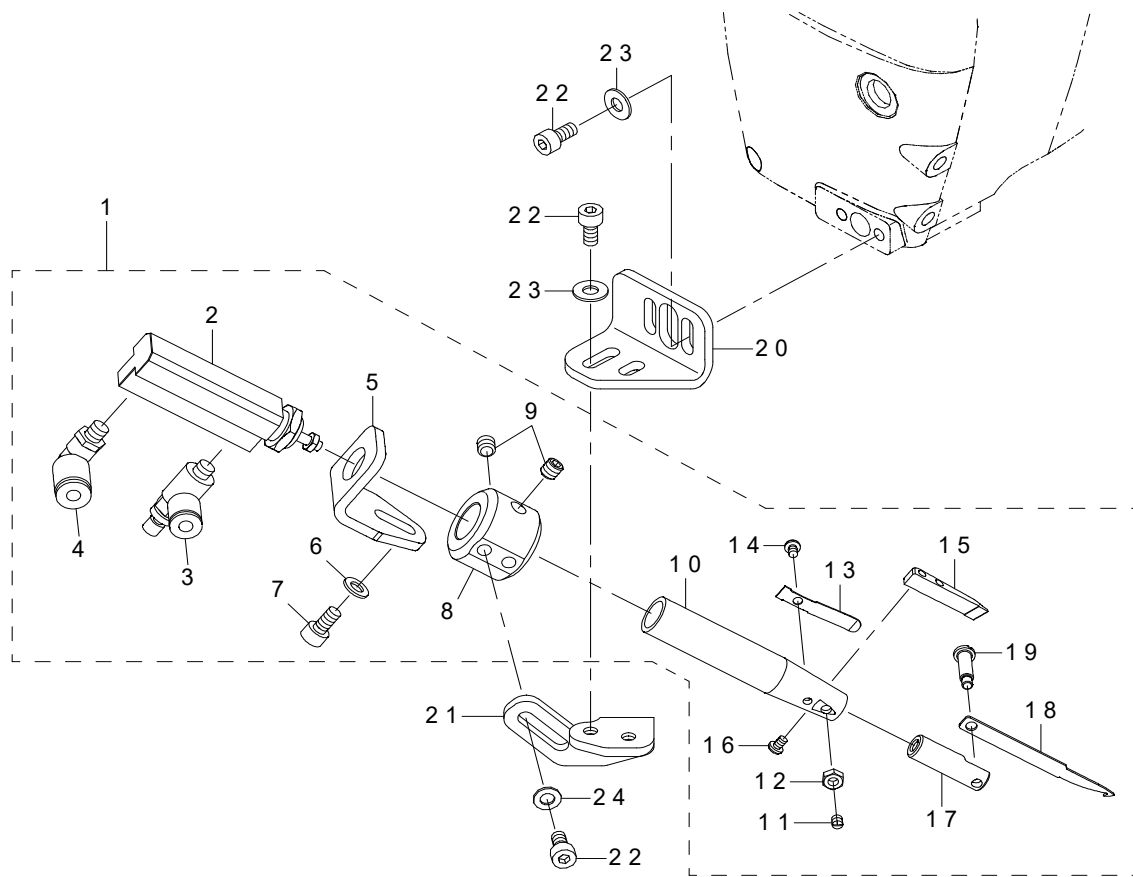
REF.NO	NOTE	PART NO	DESCRIPTION	Qty
1		400-18079	PNEUMATIC_P_F_LIFTER_ASSY	1
2		PA-2503004-A0	AIR CYLINDER	(1)
3		134-55001	AIR_CYLINDER_BRACKET	(1)
4		134-55100	AIR_CYLINDER_CAP	(1)
5		PJ-3040451-02	ELBOW UNION, C	(2)
6		WP-0621016-SD	WASHER 6.2X13X1	2
7		SM-6061400-SP	SCREW M6 L=14	2
8		400-21746	UNDER_TRIMMER_SENSOR_CABLE_ASM	1
9		134-42504	AIR_CYLINDER_BRACKET	1
10		400-72396	MANIFOLD_VALVE_ASSY	1
11		PV-0351610-00	MANIFOLD	(1)
12		PX-0551040-00	SILENCER (PT1/8)	(2)
13		PJ-3040651-01	ELBOW UNION 6XPT1/8	(1)
14		PJ-0251000-02	PLUG R1/8	(3)
15		PV-1501032-00	5-PORT SOKENOID VALVE	(2)
16		SM-4043555-SP	SCREW	2
17		PA-2001802-A0	AIR CYLINDER	1
18		PC-0105080-00	SPEED CONTROLLER	2
19		134-42603	PLUNGER	1
20		134-42702	PIN	1
21		134-43601	WASHER	1
22		134-42900	COLLAR	1
23		SM-6051002-TP	SCREW M5X0.8 L=10	1
24		134-43007	PLATE HOLDER	1
25		SM-6061202-TP	SCREW M6 L=12	1
26		134-43106	TENS_RELEASE_PLATE	1
27		SM-4040655-SP	SCREW M4 L=6	2
28		134-42801	SENSOR HOLDER	1
29		134-43700	SUPPORT_PLATE_UT	1
30		WP-0430800-SC	WASHER M4	2
31		SM-6040802-TP	SCREW M4X0.7 L=8	2
32		134-43205	SWITCH_PLATE	1
33		SM-4040655-SP	SCREW M4 L=6	2
34		229-01805	GROUND MARK	1
35		PX-5000140-00	PLUG	2
36		SM-4031001-SN	SCREW	1
37		134-43304	TENSION_RELEASE_LEVER	1
38		SM-6041202-TP	SCREW M4X0.7 L=12	1
39		SD-0700706-TP	SHOULDER SCREW	1
40		WT-0430002-KN	WASHER M4	1
41		400-69703	SOLENOIDE_COVER	1
42		SM-6050802-TP	SCREW M5X0.8 L=8	3
43		BT-0600401-EB	TUBE	2
44		BT-0400251-EB	URETHANE HOSE, BLACK	0.27
45		BT-0400251-EB	URETHANE HOSE, BLACK	0.32
46		BT-0400251-EB	URETHANE HOSE, BLACK	0.08
47		BT-0400251-EB	URETHANE HOSE, BLACK	0.08
48		BT-0400251-EB	URETHANE HOSE, BLACK	0.42
49		BT-0400251-EB	URETHANE HOSE, BLACK	0.23
50		BT-0400251-EB	URETHANE HOSE, BLACK	0.63
51		BT-0400251-EB	URETHANE HOSE, BLACK	0.3
52		BT-0400251-EB	URETHANE HOSE, BLACK	0.22
53		PJ-3080400-06	UNION	2
54		PC-0124010-00	SPEED CONTROLLER	1
55		HX-0031400-0A	SPIRAL TUBE	0.6
56		HX-0015000-0B	CABLE CLIP	2
57		SM-4040655-SP	SCREW M4 L=6	2
58		EA-9500B01-00	CABLE BAND	3
59		WS-0610002-KP	SPRING WASHER	2
60		SM-6061002-TP	SCREW M6 L=10	3
61		400-27211	UNDER_TRIMMER_CABLE_B_ASM.	1
62		400-27213	LIFT_UP_CABLE_B_ASM.	1
63		SM-4040501-SN	SCREW M4X0.7 L=5	1
64		HX-0015000-0B	CABLE CLIP	1
65		SM-4040655-SP	SCREW M4 L=6	1
66		HX-0031400-00	SPIRAL TUBE	0.96
67		HX-0031400-0D	SPIRAL TUBE	0.12
68		HX-0031400-0D	SPIRAL TUBE	0.1

6. TOP COVER THREAD TRIMMER COMPONENTS (FOR UT42)



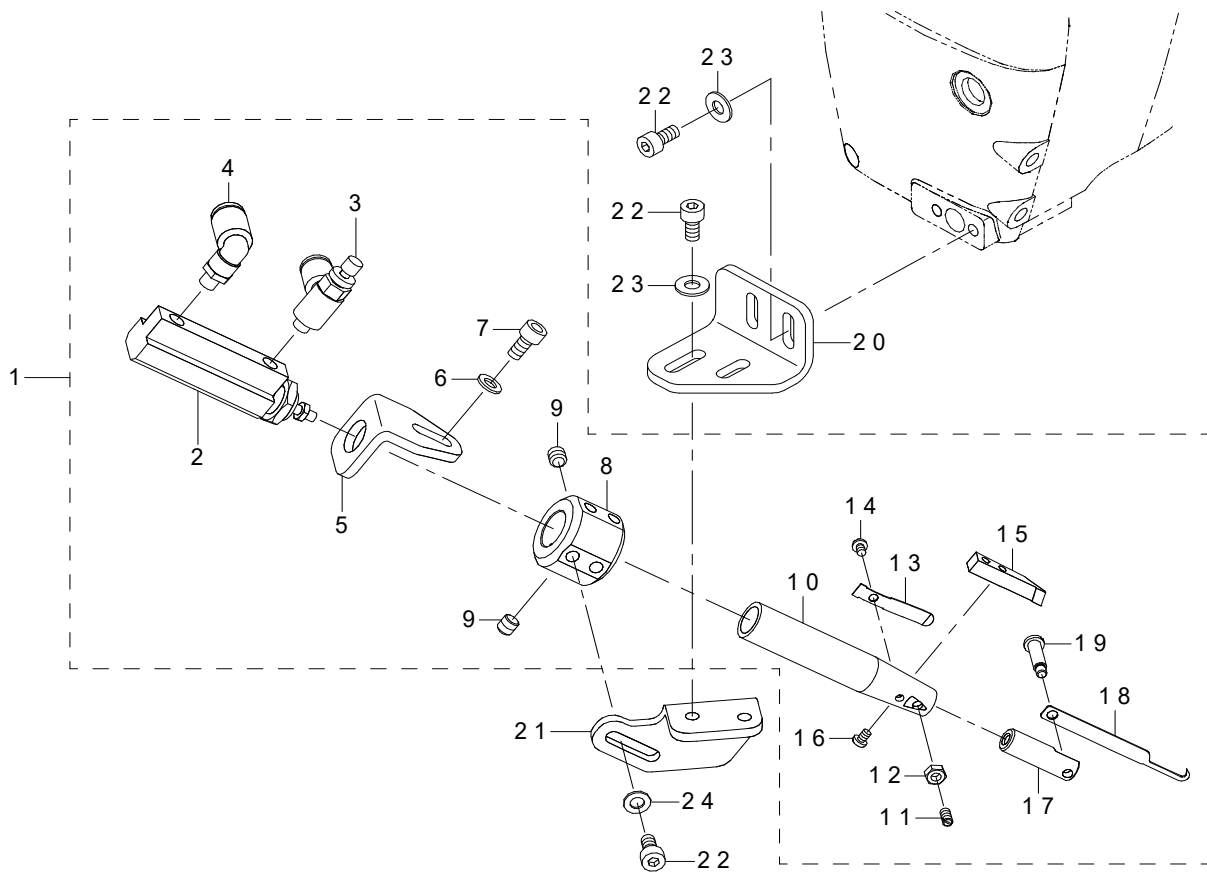
REF.NO	NOTE	PART NO	DESCRIPTION	Qty
1		400-29821	U_L_THD_TRIMMER_ASSY	1
2		CM-3002000-01	FINGER INJURY CAUTION LABEL (16)	(1)
3		400-29004	FIXED_KNIFE	(1)
4		400-29005	FIXED_KNIFE HOLDER	(1)
5		400-24103	HOLDER_GUIDE	(1)
6		400-29006	LEVER	(1)
7		400-29007	LEVER_PIN	(1)
8		400-29008	MOVING_KNIFE	(1)
9		NM-6030001-SD	NUT M3X0.5	(1)
10		NM-6040001-SP	NUT M4X0.7	(2)
11		400-29010	ROD	(1)
12		SM-4850455-SP	SCREW	(5)
13		SM-6040600-SP	SCREW M4 L=6	(2)
14		SM-6041000-SP	SCREW M4 L=10	(5)
15		SM-6041002-TP	SCREW M4X0.7 L=10	(1)
16		SM-8030450-SP	SCREW M3 L=4	(1)
17		M8518-630-0A0	THREAD TENSION SOLENOID ASM.	(1)
18		400-29011	SOLENOID_BASE	(1)
19		134-58401	SPRING	(1)
20		400-29012	SPRING	(1)
21		400-29013	SPRING_HOOK_BASE	(1)
22		TA-0550604-R0	RUBBER PLUG	(1)
23		SM-6041200-SP	SCREW M4 L=12	(1)
24		NM-6040001-SP	NUT M4X0.7	(1)
25		400-29003	BRACKET2	1
26		SM-6041002-TN	BOLT	2
27		WP-0450826-SC	WASHER 4.5X10X0.8	5
28		SM-6041202-TN	SCREW M4X0.7 L=12	5
29		400-29002	BRACKET1	1

7. TOP COVER THREAD TRIMMER COMPONENTS (FOR UT45)



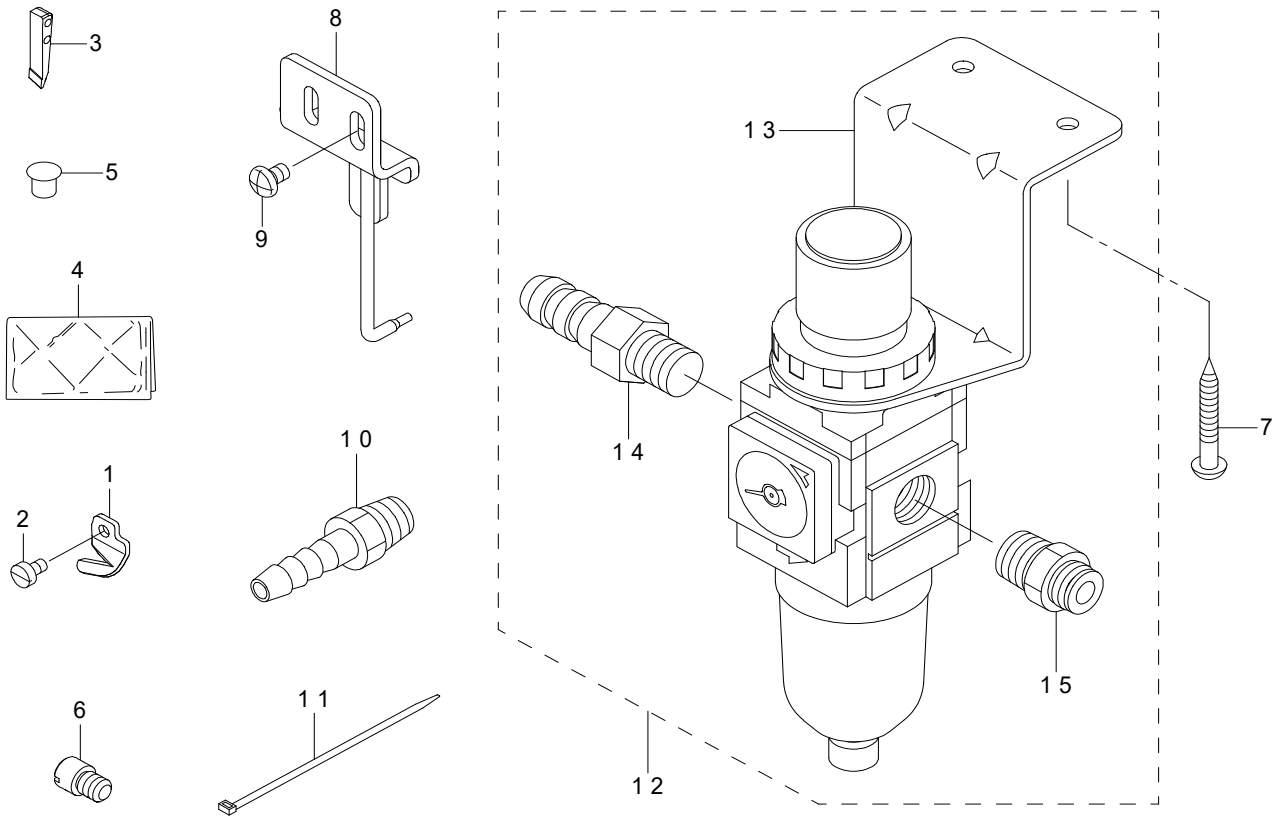
REF.NO	NOTE	PART NO	DESCRIPTION	Qty
1		400-21279	U_L_THREAD_TRIMMER_ASSY	1
2		PA-0602006-A0	AIR_CYLINDER	(1)
3		PC-0105080-00	SPEED_CONTROLLER	(1)
4		PJ-3040405-04	ELBOW_UNION	(1)
5		134-59300	AIR_CYLINDER_BRACKET	(1)
6		WP-0430800-SC	WASHER M4	(2)
7		SM-6040802-TN	SCREW	(2)
8		134-58203	COLLAR	(1)
9		SM-8050512-TP	SCREW	(2)
10		134-58302	KNIFE HOLDER	(1)
11		SM-8030450-SP	SCREW M3 L=4	(1)
12		NM-6030001-SD	NUT M3X0.5	(1)
13		134-58401	SPRING	(1)
14		SM-4850455-SP	SCREW	(1)
15		400-29004	FIXED_KNIFE	(1)
16		SM-4850455-SP	SCREW	(2)
17		134-58005	MOVING_KNIFE HOLDER	(1)
18		400-58211	MOVING_KNIFE	(1)
19		134-58104	SHOULDER_SCREW	(1)
20		400-50570	BRACKET_2	1
21		400-50569	BRACKET	1
22		SM-6040802-TN	SCREW	6
23		WP-0450826-SC	WASHER 4.5X10X0.8	4
24		WP-0430800-SC	WASHER M4	2

8. TOP COVER THREAD TRIMMER COMPONENTS (FOR UT45A)



REF.NO	NOTE	PART NO	DESCRIPTION	Qty
1		400-60754	U L THD_TRIMMER_ASSY	1
2		PA-0602006-A0	AIR CYLINDER	(1)
3		PC-0105080-00	SPEED CONTROLLER	(1)
4		PJ-3040405-04	UNION	(1)
5		134-59300	AIR_CYLINDER_BRACKET	(1)
6		WP-0430800-SC	WASHER M4	(2)
7		SM-6040802-TN	SCREW	(2)
8		134-58203	COLLAR	(1)
9		SM-8050512-TP	SCREW	(2)
10		134-58302	KNIFE HOLDER	(1)
11		SM-8030450-SP	SCREW M3 L=4	(1)
12		NM-6030001-SD	NUT M3X0.5	(1)
13		134-58401	SPRING	(1)
14		SM-4850455-SP	SCREW	(1)
15		134-58500	LOWER KNIFE	(1)
16		SM-4850455-SP	SCREW	(2)
17		134-58005	MOVING KNIFE HOLDER	(1)
18		400-65510	MOVING KNIFE	(1)
19		134-58104	SHOULDER SCREW	(1)
20		134-58708	BRACKET_2	1
21		134-58609	BRACKET_1	1
22		SM-6040802-TN	SCREW	6
23		WP-0450826-SC	WASHER 4.5X10X0.8	4
24		WP-0430800-SC	WASHER M4	2

9. ACCESSORIE PART COMPONENTS



REF.NO	NOTE	PART NO	DESCRIPTION	Qty
1		133-16302	THREAD_TRIMMER	1
2		SM-6030500-SN	SCREW M3 L=5	1
3	#01	400-29004	FIXED_KNIFE	1
4		400-66644	HEAD_COVER	1
5	#02	TA-0550604-R0	RUBBER_PLUG	1
6	#02	400-38326	SOLENOID_BRACKET_PIN	1
7		SK-3451600-SC	WOOD SCREW D=4.5 L=16	2
8	#03	134-42058	AIR_BLOW_TUBE_ASSY	1
9	#03	SM-4040655-SP	SCREW M4 L=6	2
10	#03	PJ-0325260-01	HOSE_NIPPLE	1
11	#03	EA-9500B01-00	CABLE_BAND	4
12	#03	400-18052	FILTER_REGULATOR_ASSY	1
13		PF-0552070-C0	FILTER_GEGULATOR	(1)
14		F1021-003-000	HOSE_JOINT	(1)
15		PJ-3010652-01	HALF_UNION 6XPT1/4	(1)
		NOTE	#01....FOR TURKEY #02....FOR UT42 #03....FOR UT45,UT45A	

NUMERICAL INDEX OF PARTS

PART NO	PAGE	REF NO	PART NO	PAGE	REF NO	PART NO	PAGE	REF NO	PART NO	PAGE	REF NO
BT-0400251-EB	10	44	SM-4040501-SN	10	63	WP-0430800-SC	13	24	134-59300	14	5
BT-0400251-EB	10	45	SM-4040655-SP	2	7	WP-0430800-SC	14	6			
BT-0400251-EB	10	46	SM-4040655-SP	4	6	WP-0430800-SC	14	24	229-01805	8	53
BT-0400251-EB	10	47	SM-4040655-SP	8	49	WP-0431005-SP	6	32	229-01805	10	34
BT-0400251-EB	10	48	SM-4040655-SP	8	60	WP-0450000-SD	2	13			
BT-0400251-EB	10	49	SM-4040655-SP	10	27	WP-0450826-SC	8	17	400-18052	15	12
BT-0400251-EB	10	50	SM-4040655-SP	10	33	WP-0450826-SC	12	27	400-18079	10	1
BT-0400251-EB	10	51	SM-4040655-SP	10	57	WP-0450826-SC	13	23	400-21279	13	1
BT-0400251-EB	10	52	SM-4040655-SP	10	65	WP-0450826-SC	14	23	400-21746	8	65
BT-0600401-EB	10	43	SM-4040655-SP	15	9	WP-0550800-SP	8	7	400-21746	10	8
B1515-210-D00	8	33	SM-4040855-SP	8	51	WP-0550800-SP	8	29	400-24097	8	36
B2008-372-000	4	14	SM-4041055-SP	2	8	WP-0550800-SP	8	54	400-24101	8	46
B3121-804-000	4	26	SM-4041055-SP	4	9	WP-0560860-SE	8	34	400-24103	12	5
			SM-4041655-SP	4	7	WP-0621016-SD	8	15	400-26848	8	31
CM-3002000-01	12	2	SM-4041655-SP	8	63	WP-0621016-SD	8	20	400-26935	8	23
CS-0800881-TP	8	38	SM-4043555-SP	10	16	WP-0621016-SD	8	26	400-27211	10	61
			SM-4050655-SP	8	28	WP-0621016-SD	10	6	400-27213	10	62
EA-9500B01-00	10	58	SM-4051055-SP	8	5	WS-0510002-KP	8	6	400-29002	12	29
EA-9500B01-00	15	11	SM-4850455-SP	12	12	WS-0610002-KP	8	19	400-29003	12	25
			SM-4850455-SP	13	14	WS-0610002-KP	10	59	400-29004	12	3
F1021-003-000	15	14	SM-4850455-SP	13	16	WT-0430002-KN	10	40	400-29004	13	15
			SM-4850455-SP	14	14				400-29004	15	3
GAK-3303600A	8	8	SM-4850455-SP	14	16	131-38201	4	20	400-29005	12	4
			SM-6020350-SP	6	33	131-40504	4	23	400-29006	12	6
HX-0015000-0B	10	56	SM-6030500-SN	15	2	133-16302	15	1	400-29007	12	7
HX-0015000-0B	10	64	SM-6040600-SP	12	13	133-40203	4	11	400-29008	12	8
HX-0015000-0D	8	59	SM-6040650-TP	6	38	133-40302	4	12	400-29010	12	11
HX-0031400-0A	8	58	SM-6040802-TN	8	47	133-40500	4	25	400-29011	12	18
HX-0031400-0A	10	55	SM-6040802-TN	13	7	133-40609	4	17	400-29012	12	20
HX-0031400-0D	10	67	SM-6040802-TN	13	22	133-40708	4	18	400-29013	12	21
HX-0031400-0D	10	68	SM-6040802-TN	14	7	133-41607	4	16	400-29821	12	1
HX-0031400-00	10	66	SM-6040802-TN	14	22	134-40409	6	21	400-30477	8	1
			SM-6040802-TP	10	31	134-42058	15	8	400-30478	8	2
M8518-630-0A0	12	17	SM-6040860-TP	6	37	134-42504	10	9	400-30482	8	21
			SM-6041000-SP	12	14	134-42603	10	19	400-32444	8	3
NM-6030001-SD	12	9	SM-6041002-TN	12	26	134-42702	8	35	400-32445	8	4
NM-6030001-SD	13	12	SM-6041002-TP	12	15	134-42702	10	20	400-32446	8	13
NM-6030001-SD	14	12	SM-6041200-SP	12	23	134-42801	10	28	400-32447	8	10
NM-6040001-SP	6	30	SM-6041202-TN	12	28	134-42900	8	42	400-32703	8	9
NM-6040001-SP	12	10	SM-6041202-TP	8	62	134-42900	10	22	400-38259	8	56
NM-6040001-SP	12	24	SM-6041202-TP	10	38	134-43007	8	44	400-38326	15	6
NM-6050001-SP	6	31	SM-6050802-TP	10	42	134-43007	10	24	400-38380	8	55
NM-6080003-SC	8	37	SM-6051002-TP	8	24	134-43106	8	50	400-39669	8	32
			SM-6051002-TP	8	43	134-43106	10	26	400-39670	8	27
PA-0602006-A0	13	2	SM-6051002-TP	10	23	134-43205	8	48	400-40271	8	22
PA-0602006-A0	14	2	SM-6061002-TP	10	60	134-43205	10	32	400-40661	8	52
PA-2001802-A0	10	17	SM-6061010-TP	8	25	134-43304	8	61	400-40662	8	30
PA-2503004-A0	10	2	SM-6061200-SP	8	14	134-43304	10	37	400-42362	4	19
PC-0105080-00	10	18	SM-6061202-TP	8	45	134-43601	8	41	400-42363	4	13
PC-0105080-00	13	3	SM-6061202-TP	10	25	134-43601	10	21	400-42364	4	24
PC-0105080-00	14	3	SM-6061400-SP	8	18	134-43700	10	29	400-42365	4	22
PC-0124010-00	10	54	SM-6061400-SP	10	7	134-55001	10	3	400-42366	4	21
PF-0552070-C0	15	13	SM-6061602-TP	8	57	134-55100	8	12	400-42567	8	40
PJ-0251000-02	10	14	SM-6081802-TP	2	9	134-55100	10	4	400-50569	13	21
PJ-0325260-01	15	10	SM-6085002-TP	2	10	134-56009	4	31	400-50570	13	20
PJ-3010652-01	15	15	SM-8030412-TP	4	27	134-56108	4	8	400-58211	13	18
PJ-3040405-04	13	4	SM-8030450-SP	12	16	134-56207	4	29	400-60754	14	1
PJ-3040405-04	14	4	SM-8030450-SP	13	11	134-56405	4	2	400-65510	14	18
PJ-3040451-02	10	5	SM-8030450-SP	14	11	134-56553	4	1	400-65784	4	15
PJ-3040651-01	10	13	SM-8040360-TP	4	3	134-56603	4	28	400-65785	4	5
PJ-3080400-06	10	53	SM-8040360-TP	4	30	134-58005	13	17	400-66136	4	10
PV-0351610-00	10	11	SM-8050412-TP	8	39	134-58005	14	17	400-66644	15	4
PV-1501032-00	10	15	SM-8050512-TP	13	9	134-58104	13	19	400-69703	10	41
PX-0551040-00	10	12	SM-8050512-TP	14	9	134-58104	14	19	400-70110	6	22
PX-5000140-00	10	35	SM-8050602-TP	8	11	134-58203	13	8	400-72396	10	10
			SM-8060612-TP	2	11	134-58203	14	8	400-86274	6	3
RE-0300000-K0	4	4	SM-9040800-SN	2	12	134-58302	13	10	400-86275	6	4
						134-58302	14	10	400-86276	6	5
SD-0700706-TP	8	64	TA-0550604-R0	12	22	134-58401	12	19	400-86277	6	7
SD-0700706-TP	10	39	TA-0550604-R0	15	5	134-58401	13	13	400-86278	6	8
SK-3451600-SC	15	7	TA-0900502-R0	6	34	134-58401	14	13	400-86279	6	9
SL-6052592-TN	2	6				134-58500	14	15	400-86280	6	10
SM-1020450-TP	6	29	WP-0420516-KH	6	15	134-58609	14	21	400-86281	6	6
SM-4030855-SN	8	16	WP-0430800-SC	10	30	134-58708	14	20	400-86282	6	11
SM-4031001-SN	10	36	WP-0430800-SC	13	6	134-59300	13	5	400-86286	6	13

NUMERICAL INDEX OF PARTS

PART NO	PAGE	REF NO	PART NO	PAGE	REF NO	PART NO	PAGE	REF NO	PART NO	PAGE	REF NO
400-86287	6	2									
400-86288	6	36									
400-86289	6	35									
400-86290	6	14									
400-86292	6	16									
400-86293	6	17									
400-86294	6	18									
400-86295	6	19									
400-86296	6	20									
400-86298	6	23									
400-86299	6	24									
400-86300	6	25									
400-86301	6	26									
400-86302	6	27									
400-86303	6	28									
400-86304	6	1									
400-86308	6	12									
400-93265	2	1									
400-93266	2	2									
400-93350	2	16									
400-93353	2	4									
400-93368	2	5									
400-93372	2	3									
400-94224	2	14									
400-94442	2	15									