

PARTS LIST

MF-7900(D)/UT59 PARTS LIST

下記 URL (PARTS Website/PC サイト) より、便利な検索機能のついた Web Parts Book をご利用頂けます。
ご利用には会員登録が必要です。(無料)

<https://juki.aftama.com/JUKI/JA>

You can use a Web Parts Book with a convenient search function from the URLs (PARTS Website/PC-site)
below. To use the PARTS Website, free membership registration is required.

<https://juki.aftama.com/JUKI/EN>

HOW TO MAKE USE OF THIS PARTS LIST

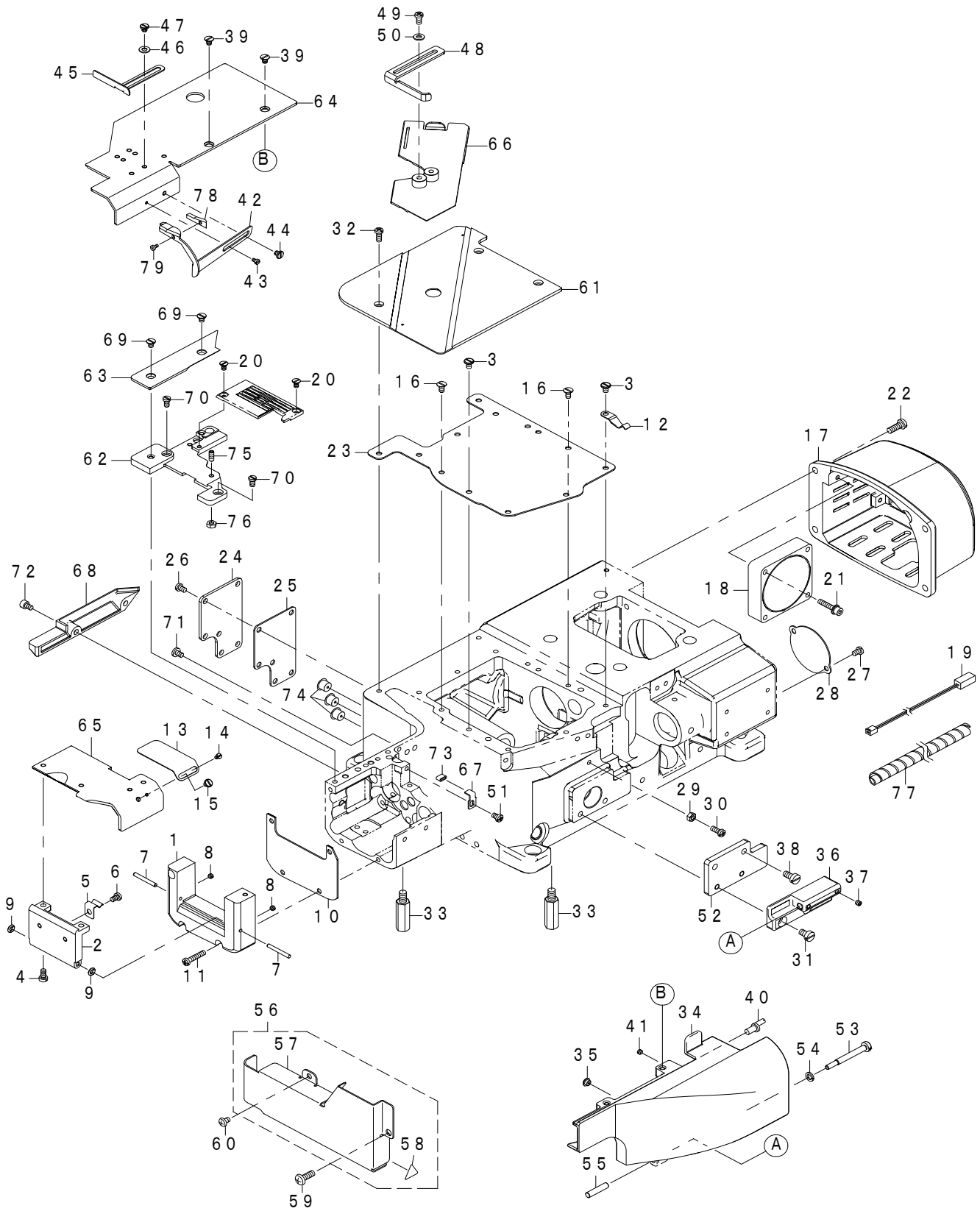
- 1.As to "#01" and "#02" refer to the "Note" given at the bottom of the respective pages.
- 2.Codes on the "Qty" column
 - Each numeral indicates the number of parts required.
 - "0.1" and "2.5" indicate the length (in meters) of the respective parts.
- 3.Parentheses mean that the corresponding part is a subpart that constructs an assembly part.
- 4.Dotted lines on the Figures indicate assembly parts.

ALL PARTS NOT MENTIONED IN THIS PARTS LIST ARE SAME AS THOSE OF
MODEL MF-7900. OTHER PARTS LIST RELATED TO THIS MODEL.
*MF-7900 SERIES (NO.1598 PART NO. 70001996)

CONTENTS

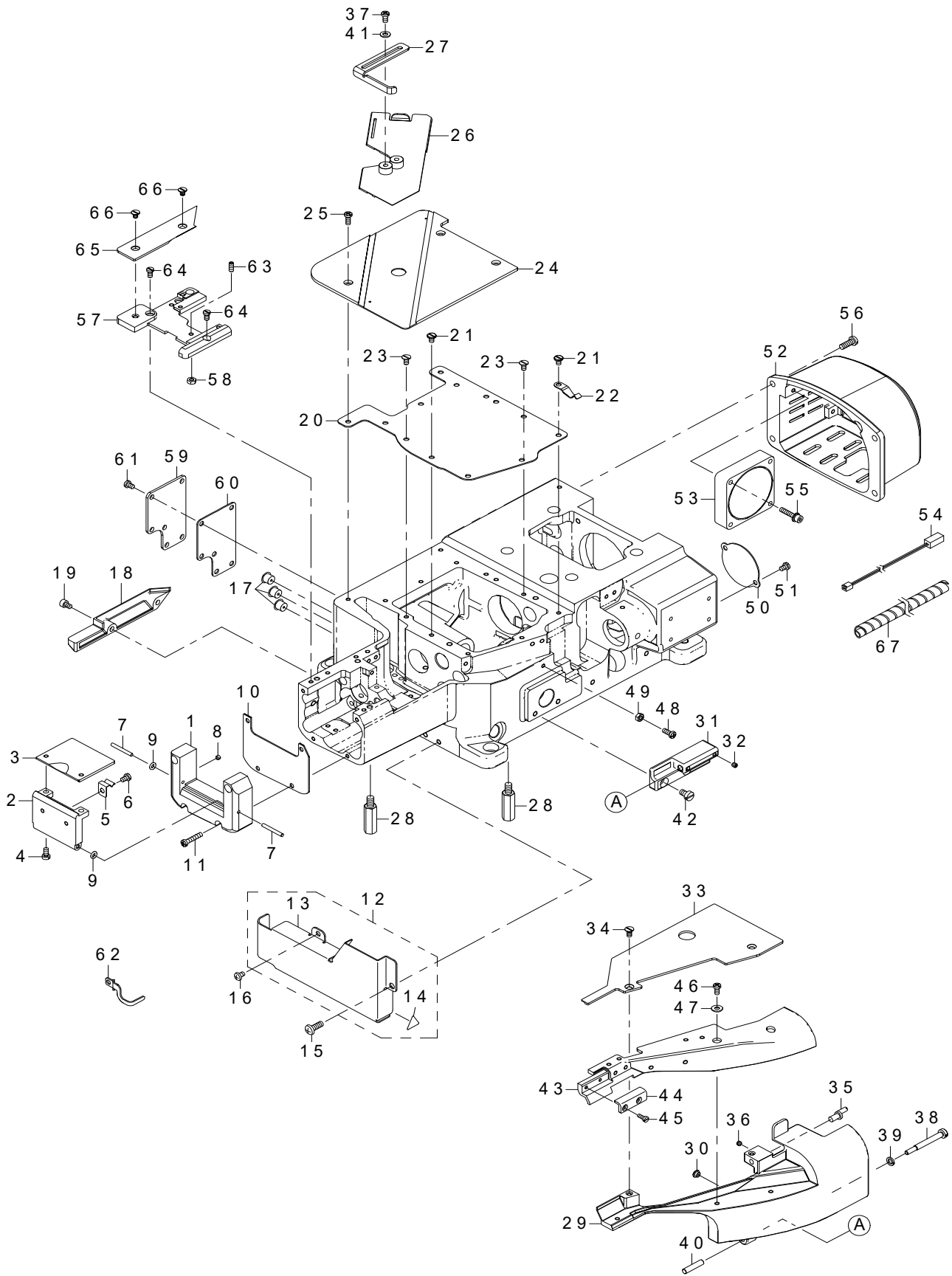
| | |
|---|----|
| 1. MISCELLANEOUS COVER COMPONENTS (FOR H22/H23) | 1 |
| 2. MISCELLANEOUS COVER COMPONENTS (FOR U11)..... | 3 |
| 3. THREAD TENSION COMPONENTS | 5 |
| 4. LOOPER THREAD TRIMMER COMPONENTS | 7 |
| 5. LOOPER COMPONENTS..... | 9 |
| 6. PNEUMATIC DRIVE & PRESSER FEED LIFTER COMPONENTS | 11 |
| 7. FRAY PREVENTION COMPONENTS..... | 13 |
| 8. AIR PIPING DIAGRAM | 15 |
| 9. ACCESSORIE PARTS COMPONENTS | 17 |
| 10. GAUGE COMPONENTS (FOR H22)..... | 19 |
| 11. GAUGE COMPONENTS (FOR H23)..... | 21 |
| 12. GAUGE COMPONENTS (FOR U11)..... | 23 |
| NUMERICAL INDEX OF PARTS..... | 25 |

1. MISCELLANEOUS COVER COMPONENTS (FOR H22/H23)



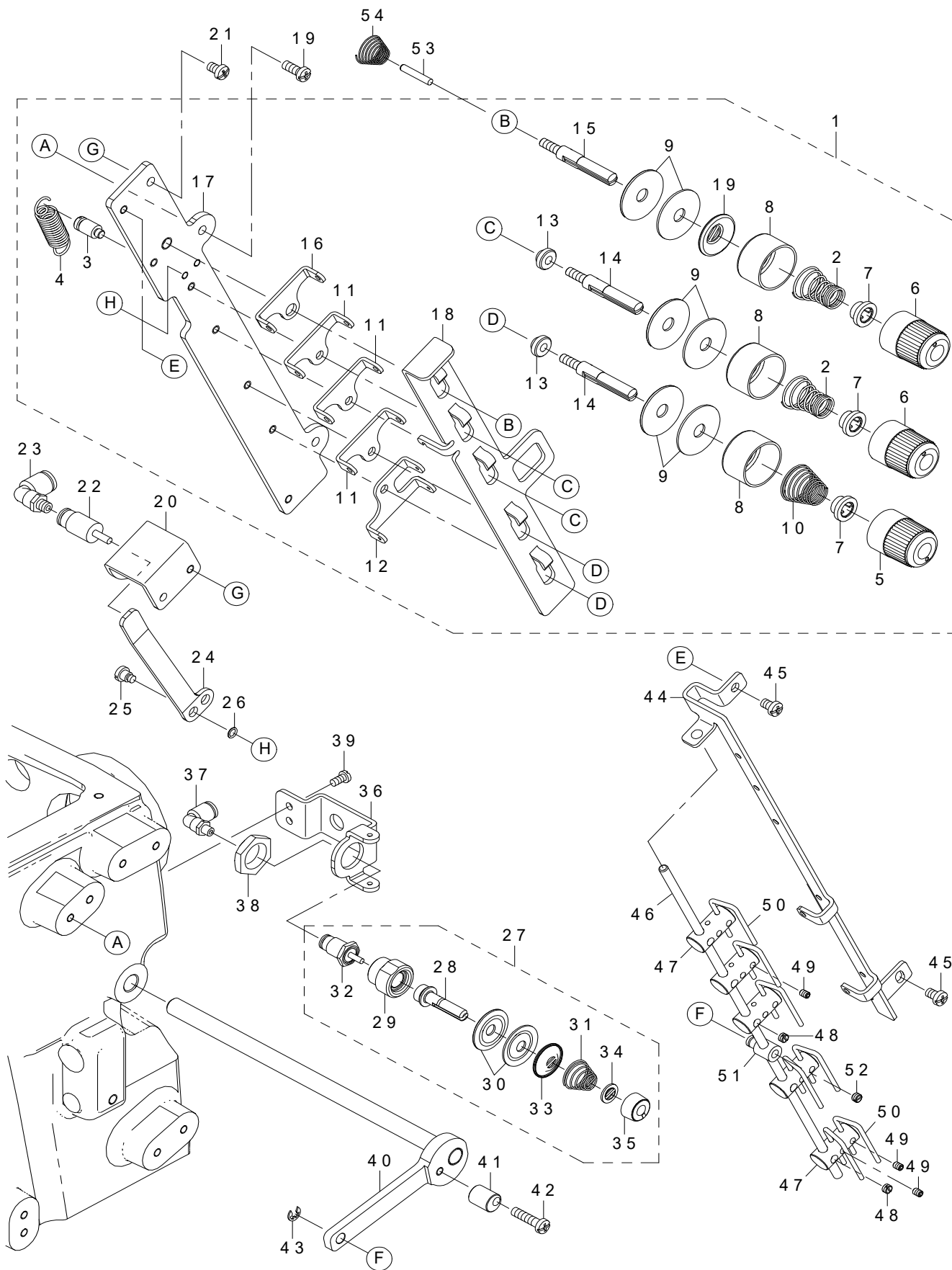
| REF.NO | NOTE | PART NO | DESCRIPTION | Qty |
|--------|------|---------------|----------------------------------|------|
| 1 | | 700-01866 | CYLINDER_COVER_H22 | 1 |
| 2 | | 700-01655 | SIDE_COVER_BOTTOM | 1 |
| 3 | | SM-6040800-SP | SCREW | 6 |
| 4 | | SM-6040800-SP | SCREW | 2 |
| 5 | | 134-01906 | LATCH_SPRING_2 | 1 |
| 6 | | SM-4040655-SP | SCREW M4 L=6 | 1 |
| 7 | | PH-0300252-C0 | PIN | 2 |
| 8 | | SM-8040360-TP | SCREW | 2 |
| 9 | | RO-0371801-00 | RUBBER_RING | 2 |
| 10 | | 700-01661 | GASKET | 1 |
| 11 | | SM-4042055-SP | SCREW | 3 |
| 12 | | 134-02003 | LATCH_SPRING | 1 |
| 13 | | 700-01890 | SIDE_COVER | 1 |
| 14 | | SM-6850400-SP | SCREW M2.5 L=4 | 1 |
| 15 | | SM-6040450-TP | SCREW M4 L=4 | 1 |
| 16 | | SM-1040860-SP | SCREW | 4 |
| 17 | | 700-01413 | MOTOR_COVER | 1 |
| 18 | | 401-19461 | HEAD_FAN_MOTOR_A_ASSY | 1 |
| 19 | | 700-01457 | FAN_CORD_ASSY | 1 |
| 20 | | 133-02203 | SCREW | 2 |
| 21 | | SL-6042092-TN | SCREW M4 L=20 | 2 |
| 22 | | SM-4051455-SP | SCREW M5 L=14 | 4 |
| 23 | | 700-01663 | GASKET_B | 1 |
| 24 | | 700-01642 | COVER_FOR_FEED_ADJUST | 1 |
| 25 | | 700-01643 | COVER_FOR_FEED_ADJUST_PACKING | 1 |
| 26 | | SM-4040855-SP | SCREW | 6 |
| 27 | | SM-4040655-SP | SCREW M4 L=6 | 2 |
| 28 | | 700-01673 | LOOPER_THD_COVER | 1 |
| 29 | | NM-6040000-SN | NUT M4 | 1 |
| 30 | | SM-4041055-SP | SCREW | 1 |
| 31 | | SM-6050800-SP | SCREW M5 L=8 | 2 |
| 32 | | SM-4041055-SP | SCREW | 3 |
| 33 | | 133-01809 | SUPPORT_STUD | 4 |
| 34 | | 700-01870 | SWING_DOWN_COVER | 1 |
| 35 | | 133-02302 | RUBBER BUMPER | 1 |
| 36 | | 700-01648 | HINGE | 1 |
| 37 | | SM-8040412-TP | SET SCREW M4 L=4 | 2 |
| 38 | | SM-6051000-SP | SCREW | 2 |
| 39 | | SM-1040800-SP | SCREW | 2 |
| 40 | | 134-02706 | PIN FOR COVER | 1 |
| 41 | | SM-8040360-TP | SCREW | 1 |
| 42 | | 700-04847 | HEM_GUIDE_LEFT | 1 |
| 43 | | SM-6850400-SP | SCREW M2.5 L=4 | 1 |
| 44 | | SM-6040450-TP | SCREW M4 L=4 | 1 |
| 45 | | 700-04248 | HEM_GUIDE_RIGHT | 1 |
| 46 | | WP-0430801-SC | WASHER M4 | 2 |
| 47 | | SM-6040450-TP | SCREW M4 L=4 | 2 |
| 48 | | 400-40255 | HEM_GUIDE | 1 |
| 49 | | SM-4040855-SP | SCREW | 2 |
| 50 | | WP-0430801-SC | WASHER M4 | 2 |
| 51 | | SM-4040655-SP | SCREW M4 L=6 | 1 |
| 52 | | 700-01646 | HINGE_BASE | 1 |
| 53 | | 700-01414 | SCREW | 1 |
| 54 | | WS-0510002-KP | SPRING WASHER 5.1X9.2X1.3 | 1 |
| 55 | | 134-09800 | DIFF_LINK_PIN | 1 |
| 56 | | 400-30059 | SS_COVER_ASSY | 1 |
| 57 | | 400-19868 | SS_COVER | (1) |
| 58 | | CM-3002000-01 | FINGER_INJURY_CAUTION_LABEL (16) | (1) |
| 59 | | SM-4051455-SP | SCREW M5 L=14 | 1 |
| 60 | | SM-4040655-SP | SCREW M4 L=6 | 1 |
| 61 | | 700-03355 | CLOTH_PLATE_ASSY | 1 |
| 62 | | 700-03432 | THROAT_PLATE_SUPPORT_H22 | 1 |
| 63 | | 700-03433 | REAR_COVER_H22 | 1 |
| 64 | | 700-03451 | CLOTH_PLATE_FRONT_H22 | 1 |
| 65 | | 700-03452 | SIDE_COVER_UPPER_H22 | 1 |
| 66 | | 700-04247 | SLIDE_COVER_ASSY | 1 |
| 67 | | 700-03456 | SLIDE_COVER_SUPPORT | 1 |
| 68 | | 700-03457 | UNDER_COVER_H22 | 1 |
| 69 | | SM-1040650-TP | SCREW | 2 |
| 70 | | SM-6040750-TP | SCREW M4 L=7 | 2 |
| 71 | | SM-5040655-SN | SCREW | 2 |
| 72 | | SM-6040602-TN | BOLT | 2 |
| 73 | | BT-0600402-EA | OIL_TUBE | 0.01 |
| 74 | | 229-01409 | NEEDLE_BAR_UPPER_BUSH_CAP | 3 |
| 75 | | SM-8041012-TP | SCREW M4 L=10 | 1 |
| 76 | | NM-6040000-SN | NUT M4 | 1 |
| 77 | | HX-0031400-0D | SPIRAL_TUBE | 0.7 |
| 78 | | 700-04848 | HEM_GUIDE_BLOCK | 1 |
| 79 | | SM-6850350-TP | FLAT SCREW | 1 |

2. MISCELLANEOUS COVER COMPONENTS (FOR U11)



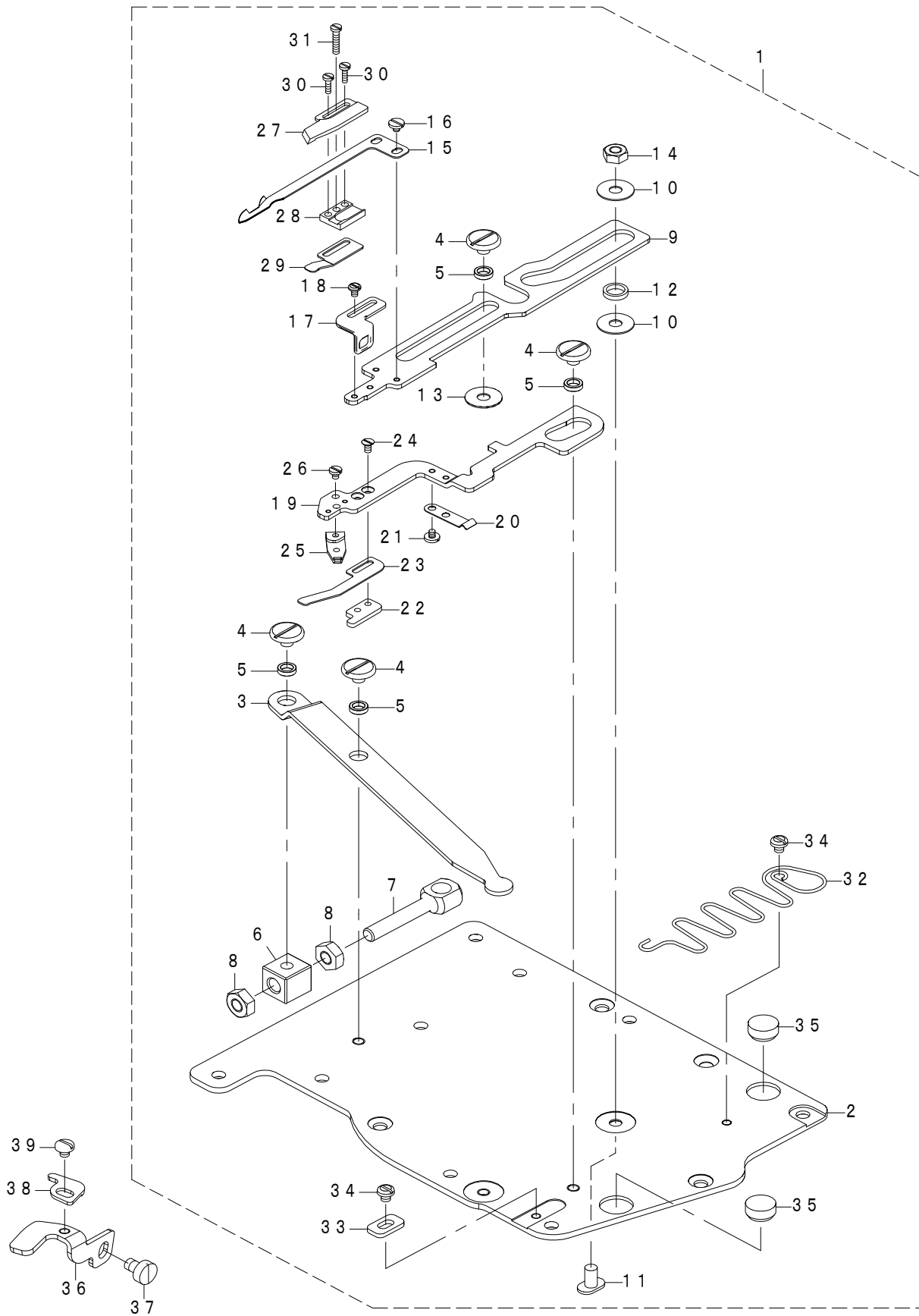
| REF.NO | NOTE | PART NO | DESCRIPTION | Qty |
|--------|------|---------------|----------------------------------|-----|
| 1 | | 700-04258 | CYLINDER COVER | 1 |
| 2 | | 700-01655 | SIDE_COVER_BOTTOM | 1 |
| 3 | | 700-04256 | SIDE_COVER_UPPER | 1 |
| 4 | | SM-6040800-SP | SCREW | 2 |
| 5 | | 134-01906 | LATCH SPRING 2 | 1 |
| 6 | | SM-4040655-SP | SCREW M4 L=6 | 1 |
| 7 | | PH-0300252-C0 | PIN | 2 |
| 8 | | SM-8040360-TP | SCREW | 2 |
| 9 | | RO-0371801-00 | RUBBER RING | 2 |
| 10 | | 700-01661 | GASKET | 1 |
| 11 | | SM-4042055-SP | SCREW | 4 |
| 12 | | 400-30059 | SS_COVER_ASSY | 1 |
| 13 | | 400-19868 | SS_COVER | (1) |
| 14 | | CM-3002000-01 | FINGER INJURY CAUTION LABEL (16) | (1) |
| 15 | | SM-4051455-SP | SCREW M5 L=14 | 1 |
| 16 | | SM-4040655-SP | SCREW M4 L=6 | 1 |
| 17 | | 229-01409 | NEEDLE BAR UPPER BUSH CAP | 3 |
| 18 | | 700-03457 | UNDER_COVER_H22 | 1 |
| 19 | | SM-6040602-TN | BOLT | 2 |
| 20 | | 700-01663 | GASKET_B | 1 |
| 21 | | SM-6040800-SP | SCREW | 6 |
| 22 | | 134-02003 | LATCH SPRING | 1 |
| 23 | | SM-1040860-SP | SCREW | 4 |
| 24 | | 700-03355 | CLOTH_PLATE_ASSY | 1 |
| 25 | | SM-4041055-SP | SCREW | 3 |
| 26 | | 700-04264 | SLIDE_COVER_ASSY | 1 |
| 27 | | 400-40255 | HEM_GUIDE | 1 |
| 28 | | 133-01809 | SUPPORT STUD | 4 |
| 29 | | 700-01650 | SWING_DOWN_COVER | 1 |
| 30 | | 133-02302 | RUBBER BUMPER | 1 |
| 31 | | 700-01648 | HINGE | 1 |
| 32 | | SM-8040412-TP | SET SCREW M4 L=4 | 2 |
| 33 | | 700-04265 | CLOTH_PLATE_FRONT | 1 |
| 34 | | SM-1040800-SP | SCREW | 2 |
| 35 | | 134-02706 | PIN FOR COVER | 1 |
| 36 | | SM-8040360-TP | SCREW | 1 |
| 37 | | SM-4040855-SP | SCREW | 2 |
| 38 | | 700-01414 | SCREW | 1 |
| 39 | | WS-0510002-KP | SPRING WASHER 5.1X9.2X1.3 | 1 |
| 40 | | 134-09800 | DIFF_LINK_PIN | 1 |
| 41 | | WP-0430801-SC | WASHER M4 | 2 |
| 42 | | SM-6050800-SP | SCREW M5 L=8 | 2 |
| 43 | | 700-01652 | BRACKET | 1 |
| 44 | | 700-01678 | BRACKET | 1 |
| 45 | | SM-6030800-SP | SCREW M3X0.5 L=8 | 2 |
| 46 | | SM-4040855-SP | SCREW | 2 |
| 47 | | WP-0450801-SC | WASHER 4.5X10X0.8 | 2 |
| 48 | | SM-4041055-SP | SCREW | 1 |
| 49 | | NM-6040001-SC | NUT M4X0.7 TYPE1 | 1 |
| 50 | | 700-01673 | LOOPER_THD_COVER | 1 |
| 51 | | SM-4040655-SP | SCREW M4 L=6 | 2 |
| 52 | | 700-01413 | MOTOR_COVER | 1 |
| 53 | | 401-19461 | HEAD_FAN MOTOR A ASSY | 1 |
| 54 | | 700-01457 | FAN_CORD_ASSY | 1 |
| 55 | | SL-6042092-TN | SCREW M4 L=20 | 2 |
| 56 | | SM-4051455-SP | SCREW M5 L=14 | 4 |
| 57 | | 700-04255 | THROAT_PLATE_SUPPORT | 1 |
| 58 | | NM-6040000-SN | NUT M4 | 1 |
| 59 | | 700-01642 | COVER_FOR_FEED_ADJUST | 1 |
| 60 | | 700-01643 | COVER_FOR_FEED_ADJUST_PACKING | 1 |
| 61 | | SM-4040855-SP | SCREW | 6 |
| 62 | | 700-01484 | FINGER_GUARD | 1 |
| 63 | | SM-8041012-TP | SCREW M4 L=10 | 1 |
| 64 | | SM-6040750-TP | SCREW M4 L=7 | 2 |
| 65 | | 700-04262 | REAR_COVER | 1 |
| 66 | | SM-1040650-TP | SCREW | 2 |
| 67 | | HX-0031400-0D | SPIRAL TUBE | 0.7 |

3. THREAD TENSION COMPONENTS



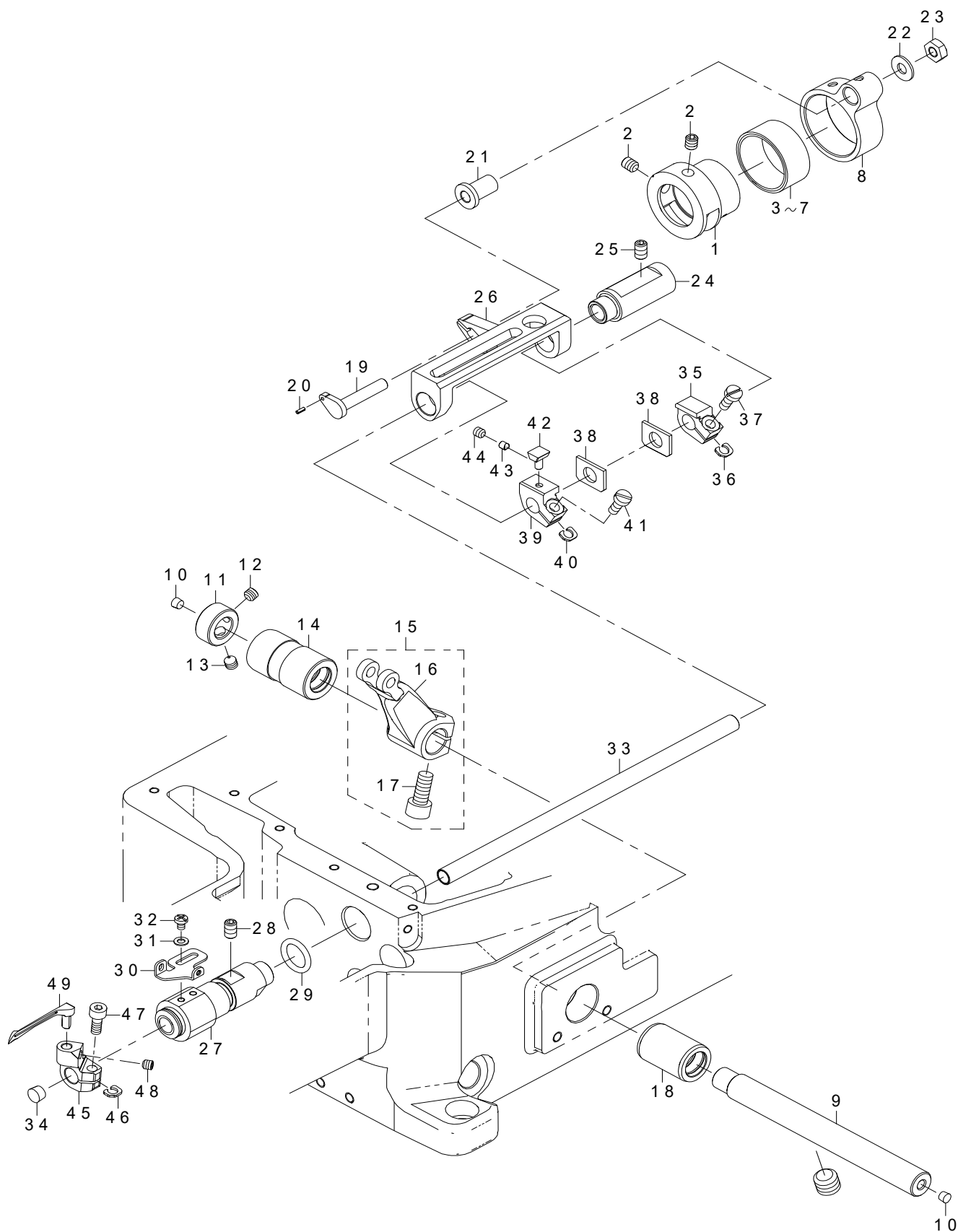
| REF.NO | NOTE | PART NO | DESCRIPTION | Qty |
|--------|------|---------------|-----------------------------|------|
| 1 | | 700-04074 | THREAD TENSION_ASSY_UT59 | 1 |
| 2 | | 131-40504 | TENSION SPRING | (3) |
| 3 | | 133-40302 | SHOULDER SCREW | (1) |
| 4 | | 260-19000 | THREAD TENSION SPRING | (1) |
| 5 | | 400-42363 | KNOB | (2) |
| 6 | | 400-42364 | KNOB GREEN | (3) |
| 7 | | 400-42365 | SPRING BUSHING | (5) |
| 8 | | 400-42366 | THREAD TENSION DISK PRESSER | (5) |
| 9 | | 401-01602 | THREAD_TENSION_DISC | (10) |
| 10 | | 401-02003 | SPRING | (2) |
| 11 | | 700-01615 | TENSION_DISC_EYELET_A | (3) |
| 12 | | 700-01616 | TENSION_DISC_EYELET_B | (1) |
| 13 | | 700-01617 | SPACER | (4) |
| 14 | | 700-01620 | TENSION_POST | (4) |
| 15 | | 700-04070 | TENSION_POST_NO.2 | (1) |
| 16 | | 700-04071 | TENSION_DISC_EYELET_C | (1) |
| 17 | | 700-04072 | TENSION_POST_SUPPORT | (1) |
| 18 | | 700-04073 | TENSION_DISC_SEPARATOR | (1) |
| 19 | | B3132-552-000 | THREAD TENSION DISK PRESSER | (1) |
| 20 | | 700-04067 | DISK_RELEASE_PLATE_A | 1 |
| 21 | | SM-4040655-SP | SCREW M4 L=6 | 1 |
| 22 | | PA-0600504-A0 | AIR CYLINDER | 1 |
| 23 | | PJ-3040405-04 | ELBOW UNION | 1 |
| 24 | | 700-04068 | DISK_RELEASE_PLATE_B | 1 |
| 25 | | SD-0470316-TP | SHOULDER SCREW D=4.7 H=3.1 | 2 |
| 26 | | RO-0360802-00 | RUBBER RING | 2 |
| 27 | | 700-04076 | THREAD TENSION ASM. | 1 |
| 28 | | 700-04077 | THREAD TENSION POST | (1) |
| 29 | | 700-04078 | THREAD TENSION POST BASE | (1) |
| 30 | | 229-21506 | THREAD TENSION DISK | (2) |
| 31 | | 700-04079 | TENSION SPRING | (1) |
| 32 | | PA-0600504-A0 | AIR CYLINDER | (1) |
| 33 | | 229-21803 | DISK STOPPER | (1) |
| 34 | | 229-21407 | ROTATION STOPPER | (1) |
| 35 | | 229-21308 | THREAD TENSION NUT | (1) |
| 36 | | 700-03449 | AIR_CYLINDER_BRACKET | 1 |
| 37 | | PJ-3040405-04 | ELBOW UNION | 1 |
| 38 | | NM-6160511-SE | NUT M16X1.5 | 1 |
| 39 | | SM-4040855-SP | SCREW | 2 |
| 40 | | 700-01618 | PULL_OFF_LEVER_ASSY | 1 |
| 41 | | 400-65785 | TENS_RELEASE_ADJ_ECC | 1 |
| 42 | | SM-4041655-SP | SCREW M4 L=16 | 1 |
| 43 | | RE-0300000-K0 | E-RING 3 | 1 |
| 44 | | 700-01621 | THREAD_GUIDE | 1 |
| 45 | | SM-4040655-SP | SCREW M4 L=6 | 2 |
| 46 | | 134-56108 | PULL_OFF_BAR | 1 |
| 47 | | 134-56207 | THD_P_O_HOOK_GUIDE | 5 |
| 48 | | SM-8040360-TP | SCREW | 5 |
| 49 | | SM-8030412-TP | SCREW | 7 |
| 50 | | 134-56603 | THD_PULL_OFF_HOOK | 7 |
| 51 | | 134-56405 | THD_PULL_OFF_BAR HOLDER | 1 |
| 52 | | SM-8040360-TP | SCREW | 1 |
| 53 | | 700-04069 | TENSION DISK ROD | 1 |
| 54 | | 229-45505 | THREAD TENSION SPRING | 1 |

4. LOOPER THREAD TRIMMER COMPONENTS



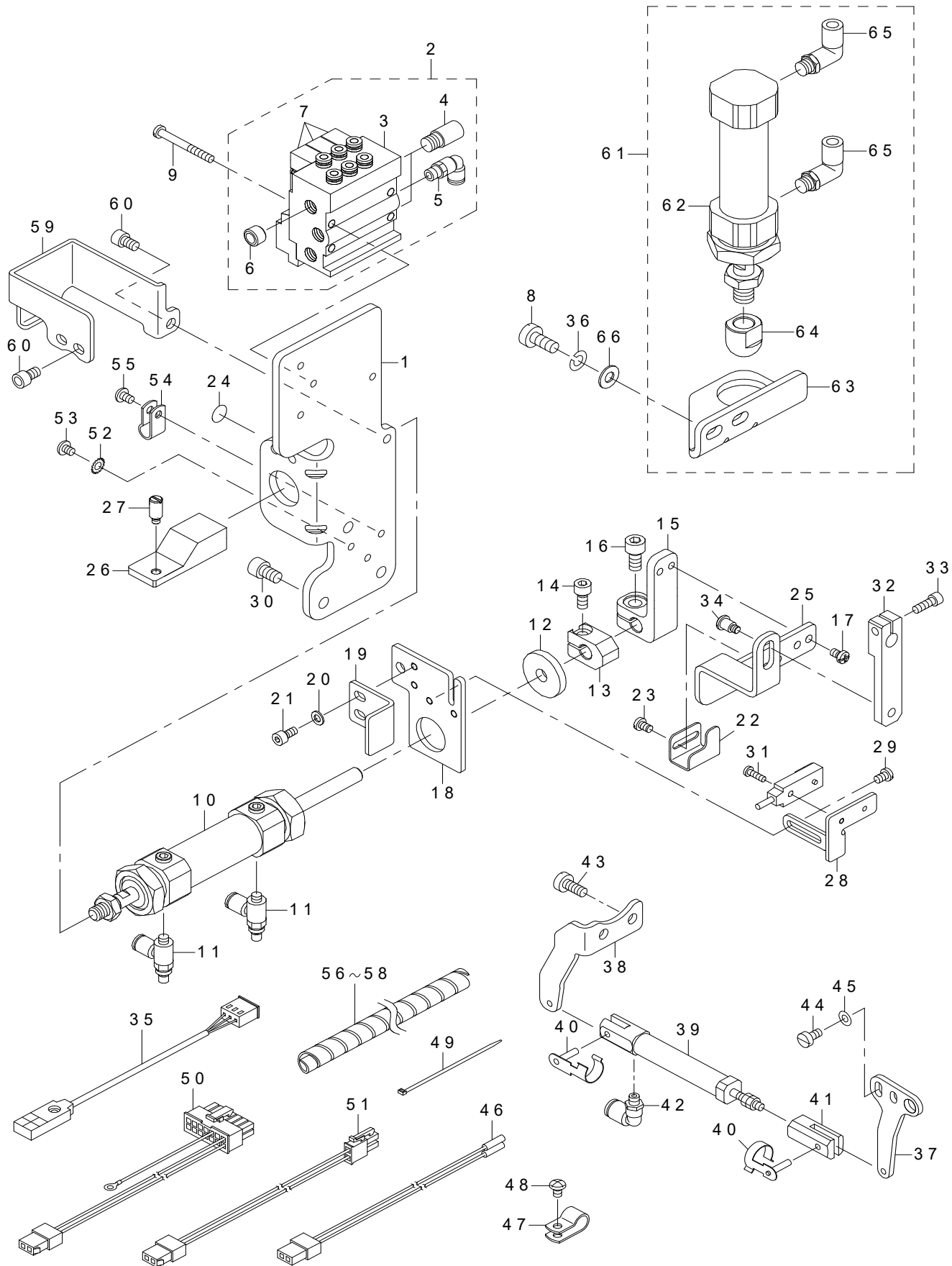
| REF.NO | NOTE | PART NO | DESCRIPTION | Qty |
|--------|------|---------------|-----------------------|-----|
| 1 | | 700-04082 | UNDER_TRIMMER_ASSY | 1 |
| 2 | | 700-01662 | COVER_PLATE | (1) |
| 3 | | 400-86294 | LEVER | (1) |
| 4 | | 400-86303 | SCREW_M4X0.5 L=4 | (4) |
| 5 | | 400-86293 | COLLAR_D6 | (4) |
| 6 | | 400-86295 | CONNECTING_BLOCK_A | (1) |
| 7 | | 400-86296 | CONNECTING_BLOCK_B | (1) |
| 8 | | NM-6050001-SP | NUT M5 | (2) |
| 9 | | 400-86275 | LOWER_KNIFE HOLDER | (1) |
| 10 | | WP-0420516-KH | THRUST WASHER 4.2 | (2) |
| 11 | | 400-70110 | SCREW | (1) |
| 12 | | 400-86292 | COLLAR_D8 | (1) |
| 13 | | WP-0431005-SP | PLAIN WASHER 4.3X12X1 | (1) |
| 14 | | NM-6040001-SP | NUT M4X0.7 | (1) |
| 15 | | 700-04083 | LOWER_KNIFE | (1) |
| 16 | | 400-86300 | SCREW_M2L2.3 | (2) |
| 17 | | 700-01800 | THREAD_GUIDE | (1) |
| 18 | | 400-86301 | SCREW_M2L3 | (2) |
| 19 | | 700-01801 | KNIFE_GUIDE HOLDER | (1) |
| 20 | | 400-86286 | GUIDE_SPRING | (1) |
| 21 | | 400-86300 | SCREW_M2L2.3 | (2) |
| 22 | | 400-86282 | PLATE | (1) |
| 23 | | 400-86280 | THREAD_CLAMP | (1) |
| 24 | | SM-1020450-TP | SCREW M2 L=4 | (2) |
| 25 | | 400-86308 | TENSION_LEVER | (1) |
| 26 | | SM-6020350-SP | SCREW M2 L=2.5 | (1) |
| 27 | | 400-86277 | UPPER_KNIFE | (1) |
| 28 | | 700-04084 | LOWER_KNIFE_GUIDE | (1) |
| 29 | | 400-86279 | KNIFE_SPRING | (1) |
| 30 | | 400-86298 | SCREW_M1.6L6 | (2) |
| 31 | | 400-86299 | SCREW_M2L10 | (1) |
| 32 | | 134-40409 | SPRING_FOR_UT | (1) |
| 33 | | 400-86290 | STOPPER | (1) |
| 34 | | 400-86302 | SCREW_M3L3 | (2) |
| 35 | | TA-0980502-R0 | RUBBER_PLUG | (2) |
| 36 | | 700-04771 | GUIDE_BASE | 1 |
| 37 | | SM-6040650-TP | SCREW | 1 |
| 38 | | 700-04772 | GUIDE | 1 |
| 39 | | 400-86302 | SCREW_M3L3 | 1 |

5. LOOPER COMPONENTS



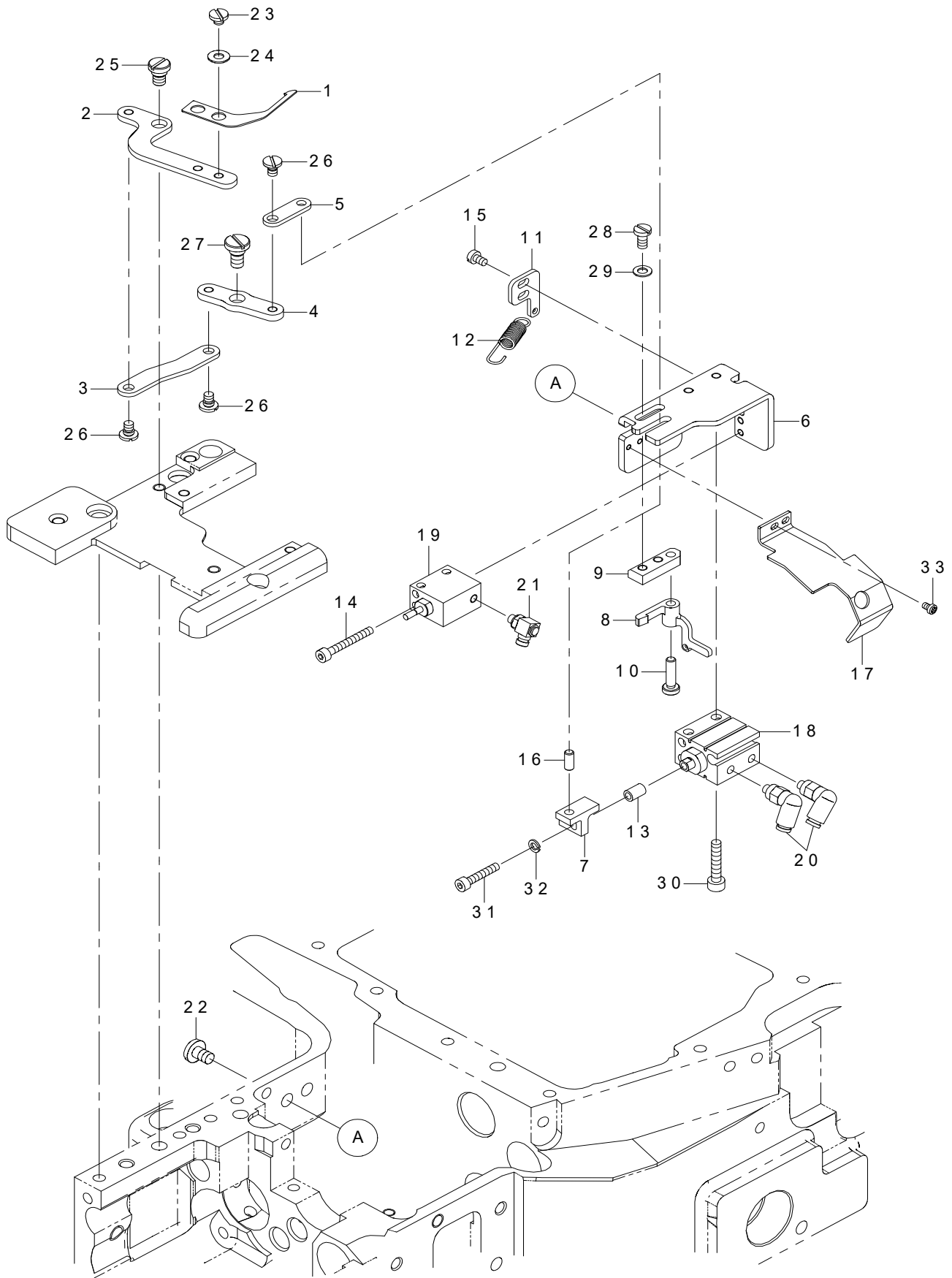
| REF.NO | NOTE | PART NO | DESCRIPTION | Qty |
|--------|------|---------------|------------------------|-----|
| 1 | | 134-22001 | LOOPER ADOID ECCENTRIC | 1 |
| 2 | | SM-8050612-TP | SCREW M5X6 | 2 |
| 3 | #01 | SB-3260002-0A | BEARING | 1 |
| 4 | #01 | SB-3260002-0B | BEARING | 1 |
| 5 | #01 | SB-3260002-0C | BEARING | 1 |
| 6 | #01 | SB-3260002-0D | BEARING | 1 |
| 7 | #01 | SB-3260002-0E | BEARING | 1 |
| 8 | | 134-22605 | LOOPER AVOID LINK | 1 |
| 9 | | 134-24304 | LOOPER SHAFT | 1 |
| 10 | | TA-0400301-M0 | PLUG D=4X4.5 L=3 | 2 |
| 11 | | CS-1000881-TP | THRUST COLLAR | 1 |
| 12 | | SM-8050412-TP | SCREW M5 L=4 | 1 |
| 13 | | SM-8050642-TP | SCREW | 1 |
| 14 | | 134-23900 | BUSHING REAR | 1 |
| 15 | | 134-24452 | LEVER_ASSY | 1 |
| 16 | | 134-24403 | LEVER | (1) |
| 17 | | SM-6061402-TP | SCREW M6 L=14 | (1) |
| 18 | | 134-24502 | BUSHING FRONT | 1 |
| 19 | | 134-22704 | LOOPER AVOID PIN | 1 |
| 20 | | PS-0150042-K0 | SPRING PIN 1.5X 4 | 1 |
| 21 | | 134-22803 | BUSHING | 1 |
| 22 | | 131-20605 | WASHER | 1 |
| 23 | | NM-6050001-SC | NUT M5X0.8 TYPE1 | 1 |
| 24 | | 134-23009 | BUSHING RIGHT | 1 |
| 25 | | SM-8050812-TP | SCREW M5X8 | 1 |
| 26 | | 134-22902 | GUIDE LOOPER BAR | 1 |
| 27 | | 700-04052 | BUSHING_LEFT_UT59 | 1 |
| 28 | | SM-8050812-TP | SCREW M5X8 | 1 |
| 29 | | RO-1182401-00 | O-RING | 1 |
| 30 | | 700-01762 | THREAD_GUIDE | 1 |
| 31 | | WP-0320500-SC | WASHER M3 | 2 |
| 32 | | SM-4030455-SP | SCREW | 2 |
| 33 | | 134-24601 | LOOPER BAR | 1 |
| 34 | | TA-0600401-R0 | PLUG | 1 |
| 35 | | 134-23405 | HOLDER | 1 |
| 36 | | 134-23801 | WASHER | 1 |
| 37 | | SM-6041000-SP | SCREW M4 L=10 | 1 |
| 38 | | 134-23603 | WASHER | 2 |
| 39 | | 134-23504 | SLIDER HOLDER | 1 |
| 40 | | 134-23801 | WASHER | 1 |
| 41 | | SM-6041000-SP | SCREW M4 L=10 | 1 |
| 42 | | 134-23306 | SLIDER | 1 |
| 43 | | 134-23702 | PIN | 1 |
| 44 | | SM-8040412-TP | SET SCREW M4 L=4 | 1 |
| 45 | | 134-24700 | LOOPER HOLDER | 1 |
| 46 | | 134-23801 | WASHER | 1 |
| 47 | | SM-6041002-TP | SCREW M4X0.7 L=10 | 1 |
| 48 | | SM-8040412-TP | SET SCREW M4 L=4 | 1 |
| 49 | | 134-24809 | LOOPER | 1 |
| | | NOTE | #01....SELECTIVE PARTS | |

6. PNEUMATIC DRIVE & PRESSER FEED LIFTER COMPONENTS



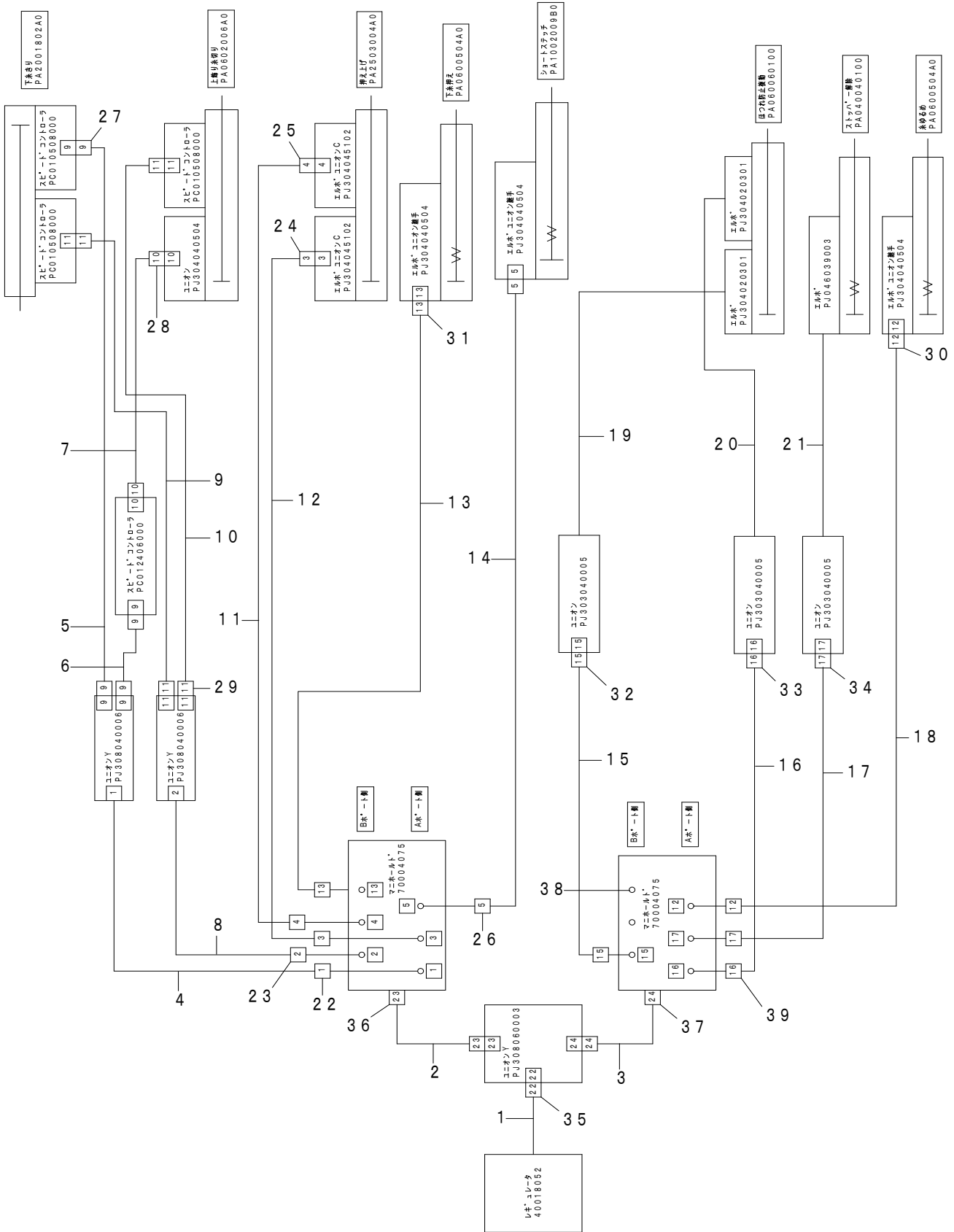
| REF.NO | NOTE | PART NO | DESCRIPTION | Qty |
|--------|------|---------------|--------------------------------|------|
| 1 | | 134-42504 | AIR_CYLINDER_BRACKET | 1 |
| 2 | | 700-04075 | MANIFOLD_VALVE_ASSY | 1 |
| 3 | | PV-0351610-00 | MANIFOLD | (1) |
| 4 | | PX-0551040-00 | SILENCER (PT1/8) | (2) |
| 5 | | PJ-3040651-01 | ELBOW UNION 6XPT1/8 | (1) |
| 6 | | PJ-0251000-02 | PLUG R1/8 | (3) |
| 7 | | PV-1501032-00 | 5-PORT SOKENOID VALVE | (3) |
| 8 | | SM-6061400-SP | SCREW M6 L=14 | 2 |
| 9 | | SM-4043555-SP | SCREW | 2 |
| 10 | | PA-2001802-A0 | AIR CYLINDER | 1 |
| 11 | | PC-0105080-00 | SPEED CONTROLLER | 2 |
| 12 | | 134-43601 | WASHER | 1 |
| 13 | | 134-42900 | COLLAR | 1 |
| 14 | | SM-6051002-TP | SCREW M5X0.8 L=10 | 1 |
| 15 | | 134-43007 | PLATE HOLDER | 1 |
| 16 | | SM-6061202-TP | SCREW M6 L=12 | 1 |
| 17 | | SM-4040655-SP | SCREW M4 L=6 | 2 |
| 18 | | 700-01776 | SENSOR HOLDER | 1 |
| 19 | | 700-01778 | SUPPORT_PLATE_UT | 1 |
| 20 | | WP-0430800-SC | WASHER M4 | 2 |
| 21 | | SM-6040802-TP | SCREW M4X0.7 L=8 | 2 |
| 22 | | 134-43205 | SWITCH_PLATE | 1 |
| 23 | | SM-4040655-SP | SCREW M4 L=6 | 2 |
| 24 | | 229-01805 | GROUND MARK | 1 |
| 25 | | 134-43106 | TENS_RELEASE_PLATE | 1 |
| 26 | | 134-42603 | PLUNGER | 1 |
| 27 | | 134-42702 | PIN | 1 |
| 28 | | 700-01777 | SENSOR HOLDER | 1 |
| 29 | | SM-4040655-SP | SCREW M4 L=6 | 2 |
| 30 | | SM-6061002-TP | SCREW M6 L=10 | 3 |
| 31 | | SM-4031001-SN | SCREW | 1 |
| 32 | | 700-01479 | TENSION_RELEASE_LEVER | 1 |
| 33 | | SM-6041202-TP | SCREW M4X0.7 L=12 | 1 |
| 34 | | SD-0700706-TP | SHOULDER SCREW | 1 |
| 35 | | 400-21746 | UNDER_TRIMMER_SENSOR_CABLE_ASM | 1 |
| 36 | | WS-0610002-KP | SPRING WASHER | 2 |
| 37 | | 400-19869 | SS_LEVER | 1 |
| 38 | | 400-19870 | SS_CYLINDER_BKT | 1 |
| 39 | | PA-1002009-B0 | AIR CYLINDER | 1 |
| 40 | | PX-5000050-00 | CYLINDER MOVING BASE | 2 |
| 41 | | PX-5000060-00 | Y-SHAPE NUCKLE | 1 |
| 42 | | PC-0105080-00 | SPEED CONTROLLER | 1 |
| 43 | | SM-6051200-TP | SCREW | 2 |
| 44 | | SM-6040800-SP | SCREW | 2 |
| 45 | | WP-0450826-SC | WASHER 4.5X10X0.8 | 2 |
| 46 | | 400-19877 | SS_CABLE_ASM | 1 |
| 47 | | HX-0015000-0C | CABLE CLAMP | 2 |
| 48 | | SM-4040655-SP | SCREW M4 L=6 | 2 |
| 49 | | EA-9500B01-00 | CABLE BAND | 3 |
| 50 | | 400-27211 | UNDER_TRIMMER_CABLE_B_ASM | 1 |
| 51 | | 400-27213 | LIFT_UP_CABLE_B_ASM | 1 |
| 52 | | WT-0430002-KN | WASHER M4 | 1 |
| 53 | | SM-4040501-SN | SCREW M4X0.7 L=5 | 1 |
| 54 | | HX-0015000-0B | CABLE CLAMP | 1 |
| 55 | | SM-4040655-SP | SCREW M4 L=6 | 1 |
| 56 | | HX-0031400-00 | SPIRAL TUBE | 0.96 |
| 57 | | HX-0031400-0D | SPIRAL TUBE | 0.12 |
| 58 | | HX-0031400-0D | SPIRAL TUBE | 0.1 |
| 59 | | 400-69703 | SOLENOIDE_COVER | 1 |
| 60 | | SM-6050802-TP | SCREW M5X0.8 L=8 | 3 |
| 61 | | 400-18079 | PNEUMATIC_P_F_LIFTER_ASSY | 1 |
| 62 | | PA-2503004-A0 | AIR CYLINDER | (1) |
| 63 | | 134-55001 | AIR_CYLINDER_BRACKET | (1) |
| 64 | | 134-55100 | AIR_CYLINDER_CAP | (1) |
| 65 | | PJ-3040451-02 | ELBOW UNION_C | (2) |
| 66 | | WP-0621016-SD | WASHER 6.2X13X1 | 2 |

7. FRAY PREVENTION COMPONENTS



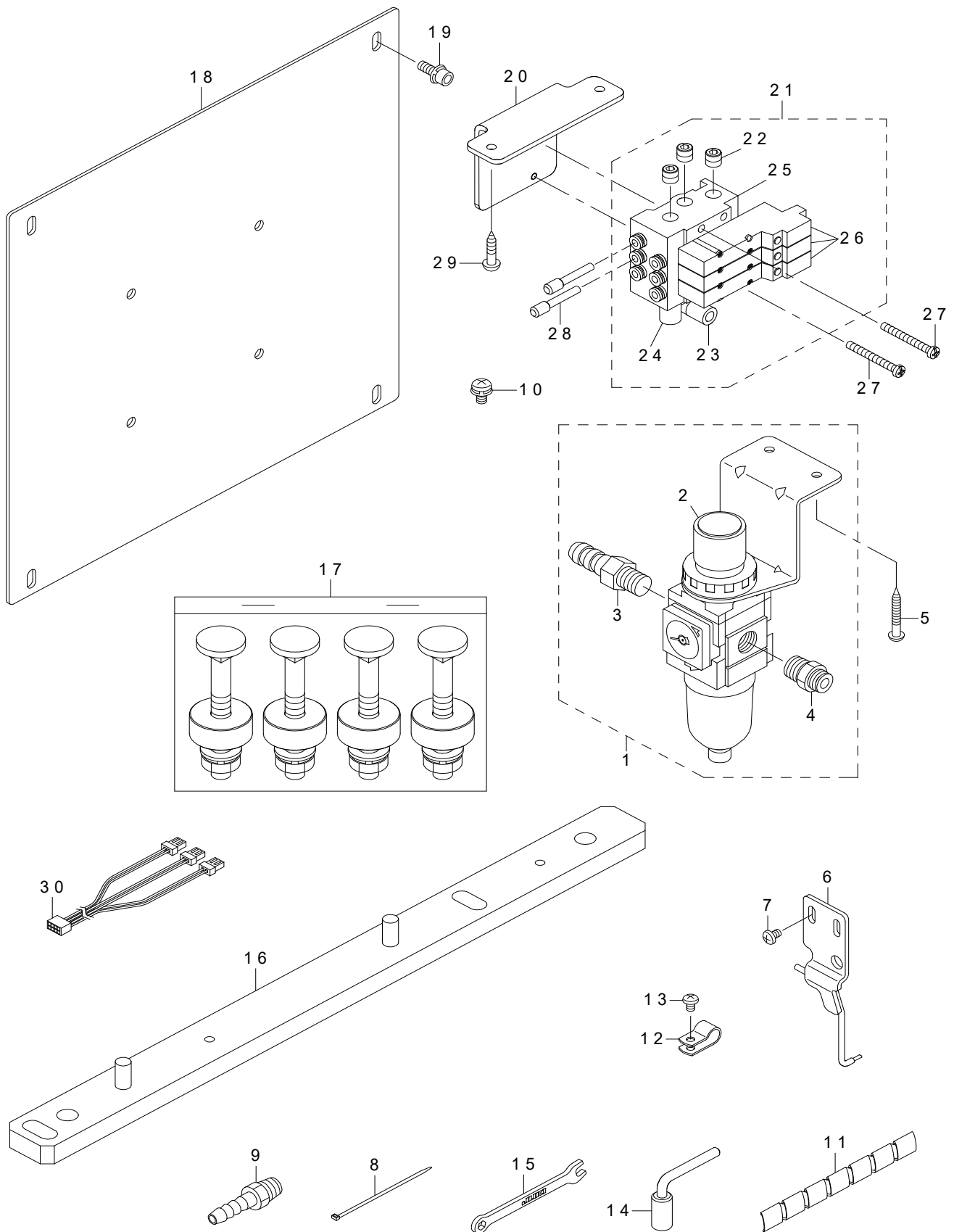
| REF.NO | NOTE | PART NO | DESCRIPTION | Qty |
|--------|------|---------------|--------------------------|-----|
| 1 | | 700-03434 | HOOK | 1 |
| 2 | | 700-03435 | HOOK_BASE | 1 |
| 3 | | 700-03436 | LINK_A | 1 |
| 4 | | 700-03437 | LINK_B | 1 |
| 5 | | 700-03438 | LINK_C | 1 |
| 6 | | 700-03439 | AIR_CYLINDER_BASE | 1 |
| 7 | | 700-03440 | AIR_CYLINDER_GUIDE | 1 |
| 8 | | 700-03441 | STOPPER | 1 |
| 9 | | 700-03442 | STOPPER_BASE | 1 |
| 10 | | 700-03443 | STOPPER_PIN | 1 |
| 11 | | 700-03444 | SPRING_BRACKET | 1 |
| 12 | | 700-03447 | SPRING | 1 |
| 13 | | 700-03448 | COLLAR | 1 |
| 14 | | SM-6852002-TN | SCREW | 2 |
| 15 | | SM-6850400-SP | SCREW M2.5 L=4 | 2 |
| 16 | | 700-03453 | LINK_PIN | 1 |
| 17 | | 700-03455 | NDL_GUARD_COVER | 1 |
| 18 | | PA-0600601-00 | AIR_CYLINDER | 1 |
| 19 | | PA-0400401-00 | AIR_CYLINDER | 1 |
| 20 | | PJ-3040203-01 | ELBOW | 2 |
| 21 | | PJ-0460390-03 | ELBOW | 1 |
| 22 | | SM-5040655-SN | SCREW | 1 |
| 23 | | SM-6030350-SN | SCREW M3 L=2.5 | 2 |
| 24 | | WP-0320501-SE | WASHER 3 | 2 |
| 25 | | SD-0500205-TH | SHOULDER SCREW | 1 |
| 26 | | SD-0350156-TP | SHOULDER SCREW | 3 |
| 27 | | SD-0600277-TP | SHOULDER SCREW D=6 H=2.7 | 1 |
| 28 | | SM-6030650-TP | SCREW | 2 |
| 29 | | WP-0320500-SC | WASHER M3 | 2 |
| 30 | | SM-6031602-TN | SCREW M3 L=16 | 2 |
| 31 | | SM-6851452-TN | SCREW M2.5 L=14 | 1 |
| 32 | | WS-0260002-KN | WASHER M2.6 | 1 |
| 33 | | SM-4020301-SC | SCREW M2X0.4 L=3 | 2 |

8. AIR PIPING DIAGRAM



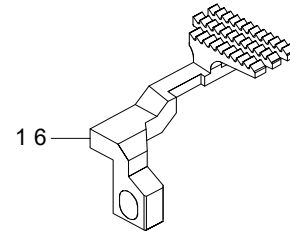
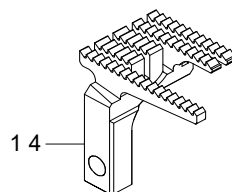
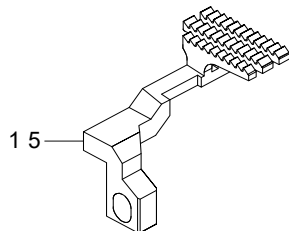
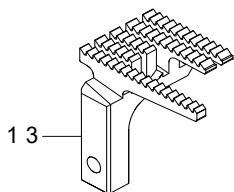
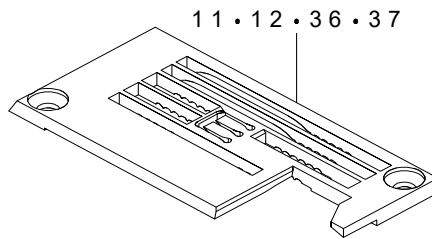
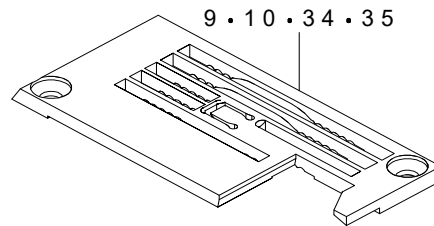
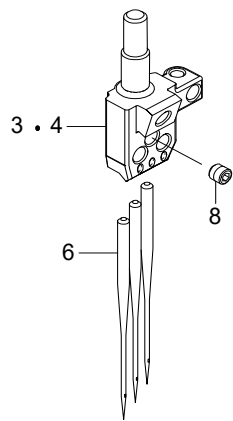
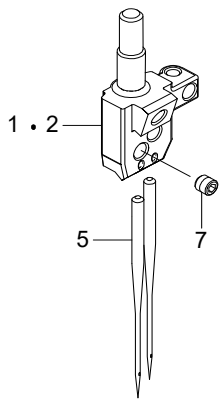
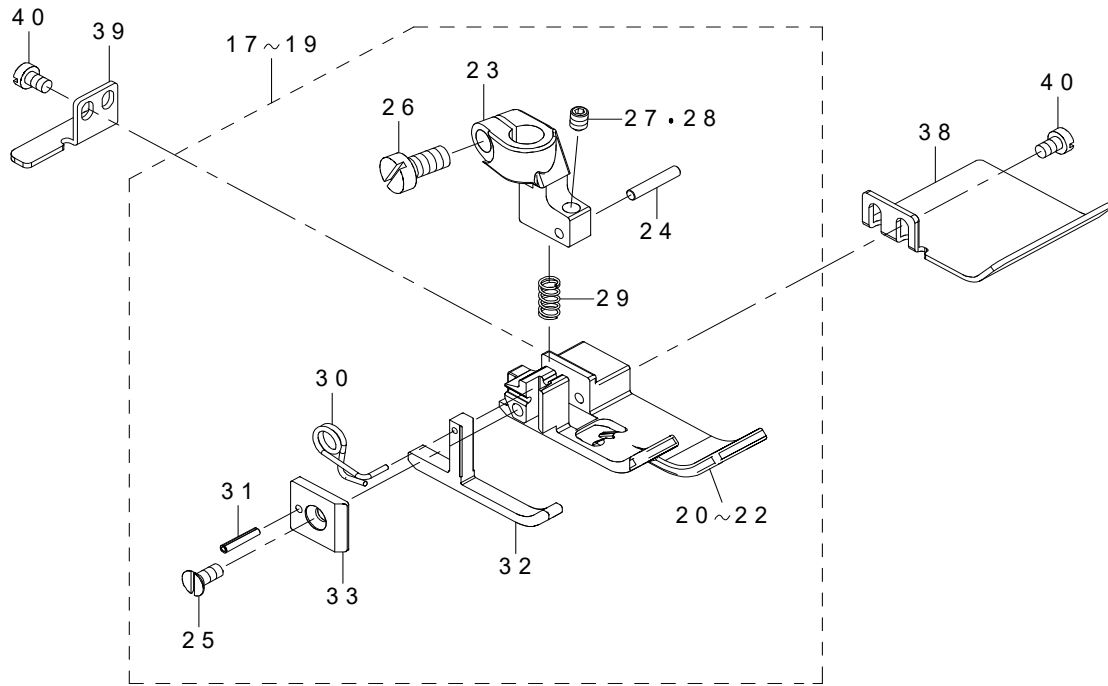
| REF.NO | NOTE | PART NO | DESCRIPTION | Qty |
|--------|------|---------------|---------------------------|------|
| 1 | | BT-0600401-EB | URETHANE TUBE BLACK 6X4 | 2 |
| 2 | | BT-0600401-EB | URETHANE TUBE BLACK 6X4 | 0.22 |
| 3 | | BT-0600401-EB | URETHANE TUBE BLACK 6X4 | 0.13 |
| 4 | | BT-0400251-EB | URETHANE TUBE BLACK 4X2.5 | 0.08 |
| 5 | | BT-0400251-EB | URETHANE TUBE BLACK 4X2.5 | 0.32 |
| 6 | | BT-0400251-EB | URETHANE TUBE BLACK 4X2.5 | 0.42 |
| 7 | | BT-0400251-EB | URETHANE TUBE BLACK 4X2.5 | 0.23 |
| 8 | | BT-0400251-EB | URETHANE TUBE BLACK 4X2.5 | 0.08 |
| 9 | | BT-0400251-EB | URETHANE TUBE BLACK 4X2.5 | 0.27 |
| 10 | | BT-0400251-EB | URETHANE TUBE BLACK 4X2.5 | 0.63 |
| 11 | | BT-0400251-EB | URETHANE TUBE BLACK 4X2.5 | 0.3 |
| 12 | | BT-0400251-EB | URETHANE TUBE BLACK 4X2.5 | 0.22 |
| 13 | | BT-0400251-EB | URETHANE TUBE BLACK 4X2.5 | 0.45 |
| 14 | | BT-0400251-EB | URETHANE TUBE BLACK 4X2.5 | 0.65 |
| 15 | | BT-0400251-EB | URETHANE TUBE BLACK 4X2.5 | 0.2 |
| 16 | | BT-0400251-EB | URETHANE TUBE BLACK 4X2.5 | 0.2 |
| 17 | | BT-0400251-EB | URETHANE TUBE BLACK 4X2.5 | 0.2 |
| 18 | | BT-0400251-EB | URETHANE TUBE BLACK 4X2.5 | 0.6 |
| 19 | | BT-0180101-EB | TUBE HOSE 1.8X1 | 0.35 |
| 20 | | BT-0180101-EB | TUBE HOSE 1.8X1 | 0.35 |
| 21 | | BT-0180101-EB | TUBE HOSE 1.8X1 | 0.35 |
| 22 | | 180-35006 | CABLE MARK NO.1 | 3 |
| 23 | | 180-35105 | WIRE MARK (2) | 3 |
| 24 | | 180-35204 | WIRE MARK (3) | 4 |
| 25 | | 180-35303 | WIRE MARK (4) | 4 |
| 26 | | 180-35402 | WIRE MARK (5) | 3 |
| 27 | | 180-35808 | WIRE MARK (9) | 8 |
| 28 | | 180-35907 | WIRE MARK (10) | 4 |
| 29 | | 180-36004 | WIRE MARK (11) | 8 |
| 30 | | 180-36103 | WIRE MARK (12) | 2 |
| 31 | | 180-36202 | WIRE MARK (13) | 4 |
| 32 | | 180-36400 | WIRE MARK (15) | 2 |
| 33 | | 180-36509 | WIRE MARK (16) | 2 |
| 34 | | 180-36608 | WIRE MARK (17) | 2 |
| 35 | | 180-37101 | WIRE MARK (22) | 2 |
| 36 | | 180-37200 | WIRE MARK (23) | 3 |
| 37 | | 180-37309 | WIRE MARK (24) | 3 |
| 38 | | PX-5000140-00 | PLUG | 2 |
| 39 | | 700-05079 | WIRE_MARK | 1 |

9. ACCESSORIE PARTS COMPONENTS



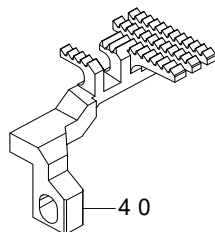
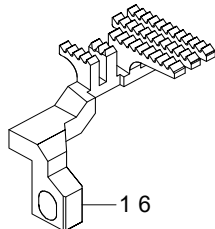
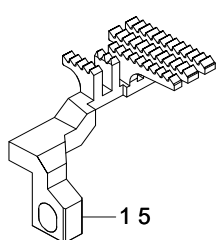
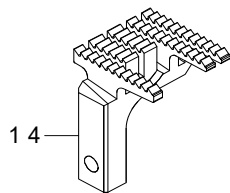
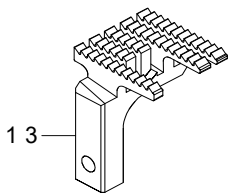
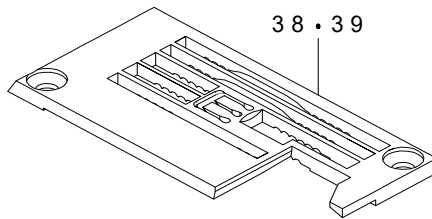
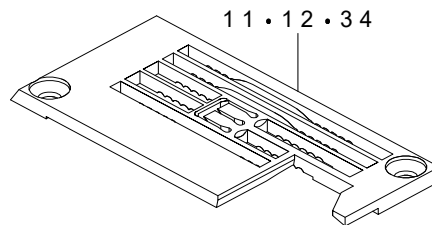
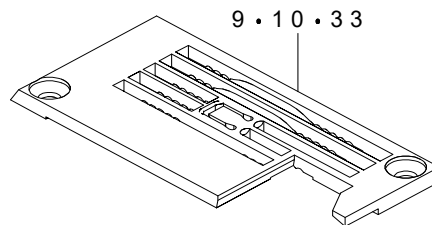
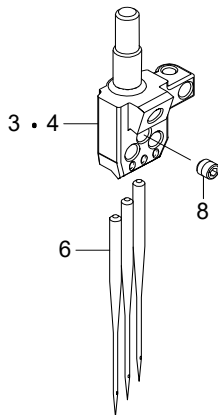
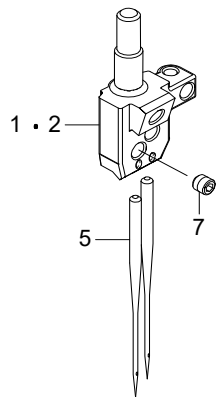
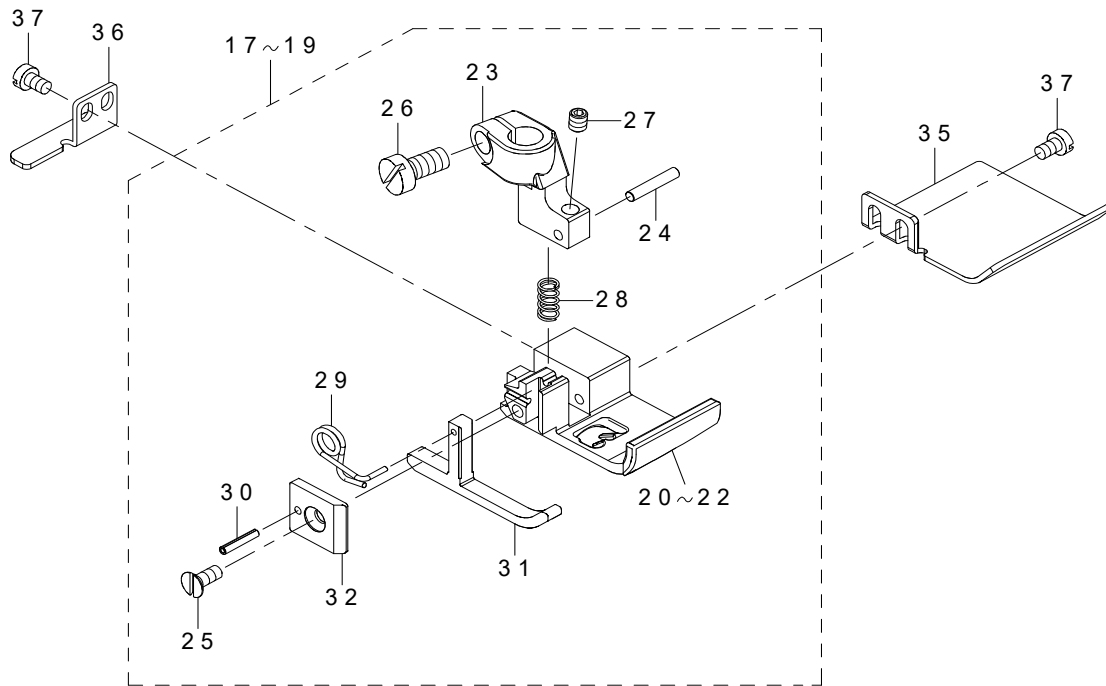
| REF.NO | NOTE | PART NO | DESCRIPTION | Qty |
|--------|------|---------------|-----------------------------------|-----|
| 1 | | 400-18052 | FILTER_REGULATOR_ASSY | 1 |
| 2 | | PF-0552070-C0 | FILTER GEGULATOR | (1) |
| 3 | | F1021-003-000 | HOSE JOINT | (1) |
| 4 | | PJ-3010652-01 | HALF UNION 6XPT1/4 | (1) |
| 5 | | SK-3452001-SE | WOOD SCREW D=4.5 L=20 | 2 |
| 6 | #02 | 700-01785 | AIR_BLOW_WIPER_ASSY | 1 |
| 7 | | SM-4040655-SP | SCREW M4 L=6 | 2 |
| 8 | | EA-9500B01-00 | CABLE BAND | 3 |
| 9 | | PJ-0325260-01 | HOSE NIPPLE | 1 |
| 10 | #01 | SL-4051091-SC | SCREW M5X0.8 L=10 | 4 |
| 11 | | HX-0031400-0A | SPIRAL TUBE | 0.6 |
| 12 | | HX-0015000-0C | CABLE CLAMP | 1 |
| 13 | | SM-4040655-SP | SCREW M4 L=6 | 1 |
| 14 | | 400-73360 | WRENCH | 1 |
| 15 | | 131-60106 | SPANNER (5X6) | 1 |
| 16 | #01 | 700-01843 | SUPPORT_PLATE_ASSY | 2 |
| 17 | #01 | 400-26691 | ASSY_BOLT_SET(7800_SUBMERGED) | 1 |
| 18 | #01 | 400-94198 | SC_BRACKET | 1 |
| 19 | #01 | SL-6051492-TN | BOLT | 4 |
| 20 | | 700-03446 | MANIFOLD_BRACKET | 1 |
| 21 | | 700-04075 | MANIFOLD_VALVE_ASSY | 1 |
| 22 | | PJ-0251000-02 | PLUG R1/8 | (3) |
| 23 | | PJ-3040651-01 | ELBOW UNION 6XPT1/8 | (1) |
| 24 | | PX-0551040-00 | SILENCER (PT1/8) | (2) |
| 25 | | PV-0351610-00 | MANIFOLD | (1) |
| 26 | | PV-1501032-00 | 5-PORT SOKENOID VALVE | (3) |
| 27 | | SM-4043555-SP | SCREW | 2 |
| 28 | | PX-5000140-00 | PLUG | 2 |
| 29 | | SK-3452001-SE | WOOD SCREW D=4.5 L=20 | 2 |
| 30 | | 401-36651 | CABLE ASSY | 1 |
| | NOTE | | #01....FOR HALF-SUNKEN TYPE TABLE | |
| | | | #02....FOR UT56 | |

10. GAUGE COMPONENTS (FOR H22)



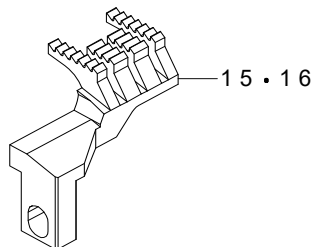
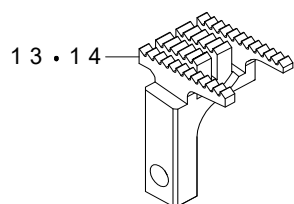
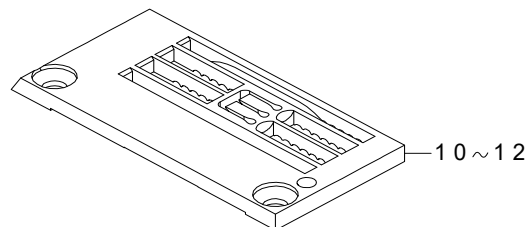
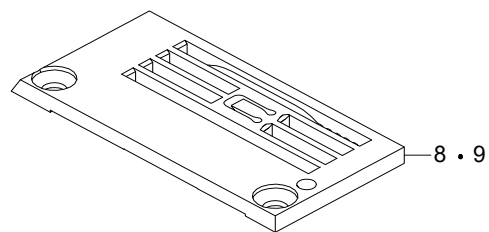
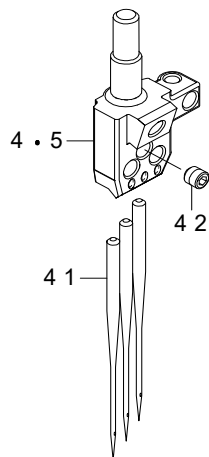
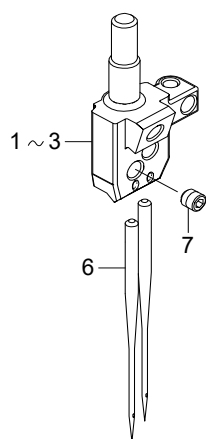
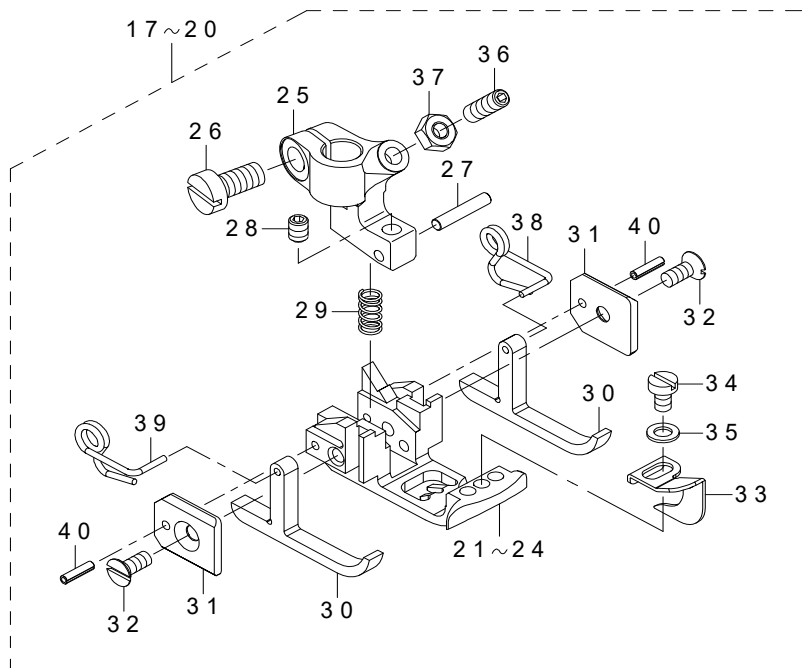
| REF.NO | NOTE | PART NO | DESCRIPTION | Qty |
|--------|------|---------------|-------------------------------|-----|
| 1 | #01 | 133-50103 | NEEDLE_HEAD_40 | 1 |
| 2 | #02 | 133-50509 | NEEDLE_HEAD_48 | 1 |
| 3 | #03 | 133-50301 | NEEDLE_HEAD_56 | 1 |
| 4 | #04 | 133-50400 | NEEDLE_HEAD_64 | 1 |
| 5 | #05 | MUY-128S1000 | NEEDLE | 2 |
| 6 | #06 | MUY-128S1000 | NEEDLE | 3 |
| 7 | #05 | SM-8030312-TP | SCREW M3 L=3 | 3 |
| 8 | #06 | SM-8030312-TP | SCREW M3 L=3 | 4 |
| 9 | #01 | 700-01948 | THROAT_PLATE | 1 |
| 10 | #02 | 700-01949 | THROAT_PLATE | 1 |
| 11 | #03 | 134-45200 | THROAT_PLATE | 1 |
| 12 | #04 | 134-45309 | THROAT_PLATE | 1 |
| 13 | #05 | 700-04150 | MAIN_FEED_DOG | 1 |
| 14 | #06 | 700-04080 | MAIN_FEED_DOG | 1 |
| 15 | #05 | 400-69022 | DIFF_FEED_DOG | 1 |
| 16 | #06 | 400-69023 | DIFF_FEED_DOG | 1 |
| 17 | #01 | 700-01952 | PRESSER_FOOT_ASSY | 1 |
| 18 | #02 | 400-32255 | PRESSER_FOOT_ASSEMBLY_48 | 1 |
| 19 | #06 | 134-67758 | PRESSER_FOOT_ASSY | 1 |
| 20 | #01 | 700-01951 | PRESSER_FOOT_BOTTOM | (1) |
| 21 | #02 | 134-67600 | PRESSER_FOOT_BOTTOM | (1) |
| 22 | #06 | 400-29648 | PRESSER_FOOT_BOTTOM | (1) |
| 23 | | 134-67907 | PRESSER_FOOT_SHANK | (1) |
| 24 | | 133-75209 | PIVOT_PIN | (1) |
| 25 | | SM-1850600-SP | SCREW | (1) |
| 26 | | SM-6040800-SP | SCREW | (1) |
| 27 | | SM-8030402-TP | SCREW M3X0.5 L=4 | (1) |
| 28 | #02 | SM-8030412-TP | SCREW | (1) |
| 29 | | 133-77106 | SPRING | (1) |
| 30 | | 133-75308 | SPRING_L | (1) |
| 31 | | PS-0150082-KH | SPRING_PIN | (1) |
| 32 | | 400-29649 | YIELDING_SECTION | (1) |
| 33 | | 134-68103 | YIELDING_SECTION_PLATE | (1) |
| 34 | #07 | 400-69018 | THROAT_PLATE | 1 |
| 35 | #08 | 700-01950 | THROAT_PLATE | 1 |
| 36 | #09 | 400-69019 | THROAT_PLATE | 1 |
| 37 | #10 | 400-69020 | THROAT_PLATE | 1 |
| 38 | #11 | 400-38064 | FABRIC_GUIDE | 1 |
| 39 | #11 | 400-27899 | FABRIC_GUIDE | 1 |
| 40 | #11 | SM-6850400-SP | SCREW M2.5 L=4 | 4 |
| | | NOTE | #01....FOR B40 | |
| | | | #02....FOR B48 | |
| | | | #03....FOR B56 | |
| | | | #04....FOR B64 | |
| | | | #05....FOR B40,B48 | |
| | | | #06....FOR B56,B64 | |
| | | | #07....FOR B40(OPTION TYPE D) | |
| | | | #08....FOR B48(OPTION TYPE D) | |
| | | | #09....FOR B56(OPTION TYPE D) | |
| | | | #10....FOR B64(OPTION TYPE D) | |
| | | | #11....ACCESSORY PARTS | |

11. GAUGE COMPONENTS (FOR H23)



| REF.NO | NOTE | PART NO | DESCRIPTION | Qty |
|--------|------|---------------|--------------------------------------|-----|
| 1 | #01 | 133-50103 | NEEDLE_HEAD_40 | 1 |
| 2 | #02 | 133-50509 | NEEDLE_HEAD_48 | 1 |
| 3 | #03 | 133-50301 | NEEDLE_HEAD_56 | 1 |
| 4 | #04 | 133-50400 | NEEDLE_HEAD_64 | 1 |
| 5 | #05 | MUY-128S1000 | NEEDLE | 2 |
| 6 | #06 | MUY-128S1000 | NEEDLE | 3 |
| 7 | #05 | SM-8030312-TP | SCREW M3 L=3 | 3 |
| 8 | #06 | SM-8030312-TP | SCREW M3 L=3 | 4 |
| 9 | #01 | 400-58639 | THROAT_PLATE H21B40 | 1 |
| 10 | #02 | 134-45101 | THROAT_PLATE | 1 |
| 11 | #03 | 400-41203 | THROAT PLATE H20B56 | 1 |
| 12 | #04 | 400-41204 | THROAT PLATE H20B64 | 1 |
| 13 | #05 | 400-41249 | MAIN_FEED_DOG | 1 |
| 14 | #06 | 400-32900 | MAIN_FEED_DOG | 1 |
| 15 | #05 | 700-04151 | DIFF_FEED_DOG | 1 |
| 16 | #06 | 700-04081 | DIFF_FEED_DOG | 1 |
| 17 | #01 | 400-48637 | PRESSER_FOOT_ASSY | 1 |
| 18 | #02 | 400-39796 | PRESSER_FOOT_ASSY | 1 |
| 19 | #06 | 400-39794 | PRESSER_FOOT_ASSY | 1 |
| 20 | #01 | 400-48636 | PRESSER_FOOT_BOTTOM | (1) |
| 21 | #02 | 400-39795 | PRESSER_FOOT_BOTTOM | (1) |
| 22 | #06 | 400-38066 | PRESSER FOOT BOTTOM | (1) |
| 23 | | 134-67907 | PRESSER_FOOT_SHANK | (1) |
| 24 | | 133-75209 | PIVOT_PIN | (1) |
| 25 | | SM-1850600-SP | SCREW | (1) |
| 26 | | SM-6040800-SP | SCREW | (1) |
| 27 | | SM-8030412-TP | SCREW | (1) |
| 28 | | 133-77106 | SPRING | (1) |
| 29 | | 133-75308 | SPRING_L | (1) |
| 30 | | PS-0150082-KH | SPRING PIN | (1) |
| 31 | | 400-38032 | YIELDING_SECTION | (1) |
| 32 | | 134-68103 | YIELDING_SECTION_PLATE | (1) |
| 33 | #07 | 400-35066 | THROAT_PLATE | 1 |
| 34 | #08 | 400-49944 | THROAT_PLATE | 1 |
| 35 | #09 | 400-38064 | FABRIC_GUIDE | 1 |
| 36 | #09 | 400-27899 | FABRIC_GUIDE | 1 |
| 37 | #09 | SM-6850400-SP | SCREW M2.5 L=4 | 4 |
| 38 | #10 | 700-01885 | THROAT_PLATE_B56 | 1 |
| 39 | #11 | 700-01886 | THROAT_PLATE_D56 | 1 |
| 40 | #10 | 700-04279 | DIFF_FEED_DOG | 1 |
| | | NOTE | #01....FOR B40 | |
| | | | #02....FOR B48 | |
| | | | #03....FOR B56 | |
| | | | #04....FOR B64 | |
| | | | #05....FOR B40,B48 | |
| | | | #06....FOR B56,B64 | |
| | | | #07....FOR B40(OPTION TYPE D) | |
| | | | #08....FOR B56(OPTION TYPE D) | |
| | | | #09....ACCESSORY PARTS | |
| | | | #10....B56(FOR TURKEY) | |
| | | | #11....B56(FOR TURKEY OPTION TYPE D) | |

12. GAUGE COMPONENTS (FOR U11)



| REF.NO | NOTE | PART NO | DESCRIPTION | Qty |
|--------|------|---------------|---|-----|
| 1 | #01 | 133-50004 | NEEDLE_HEAD_32 | 1 |
| 2 | #02 | 133-50103 | NEEDLE_HEAD_40 | 1 |
| 3 | #03 | 133-50509 | NEEDLE_HEAD_48 | 1 |
| 4 | #04 | 133-50301 | NEEDLE_HEAD_56 | 1 |
| 5 | #05 | 133-50400 | NEEDLE_HEAD_64 | 1 |
| 6 | | MUY-128S1000 | NEEDLE | 2 |
| 7 | | SM-8030312-TP | SCREW M3 L=3 | 3 |
| 8 | #01 | 400-58587 | THROAT_PLATE | 1 |
| 9 | #02 | 400-58706 | THROAT_PLATE | 1 |
| 10 | #03 | 400-40514 | THROAT PLATE | 1 |
| 11 | #04 | 400-58033 | THROAT_PLATE | 1 |
| 12 | #05 | 400-40513 | THROAT PLATE | 1 |
| 13 | #06 | 134-31200 | MAIN_FEED_DOG | 1 |
| 14 | #07 | 134-30103 | MAIN_FEED_DOG | 1 |
| 15 | #06 | 700-04268 | DIFF_FEED_DOG | 1 |
| 16 | #07 | 700-04267 | DIFF_FEED_DOG | 1 |
| 17 | #01 | 400-90133 | PRESSER_FOOT_ASSY | 1 |
| 18 | #02 | 400-90196 | PRESSER_FOOT_ASSY | 1 |
| 19 | #03 | 400-90197 | PRESSER_FOOT_ASSY | 1 |
| 20 | #07 | 400-82974 | PRESSER_FOOT_ASSY | 1 |
| 21 | #01 | 400-90130 | PRESSER_FOOT_BOTTOM | (1) |
| 22 | #02 | 400-90131 | PRESSER_FOOT_BOTTOM | (1) |
| 23 | #03 | 400-90132 | PRESSER_FOOT_BOTTOM | (1) |
| 24 | #07 | 400-82975 | PRESSER_FOOT_BOTTOM | (1) |
| 25 | | 400-70224 | PRESSER_FOOT_HINGE | (1) |
| 26 | | SM-6040800-SP | SCREW | (1) |
| 27 | | 133-75209 | PIVOT_PIN | (1) |
| 28 | | SM-8030412-TP | SCREW | (1) |
| 29 | | 133-77106 | SPRING | (1) |
| 30 | | 400-70226 | P_F_YIELDING_SECTION | (2) |
| 31 | | 400-70227 | GUIDE_PLATE | (2) |
| 32 | | SM-1850600-SP | SCREW | (2) |
| 33 | | 400-70231 | PRESSER_FOOT_GUIDE | (1) |
| 34 | | SM-6850400-SP | SCREW M2.5 L=4 | (1) |
| 35 | | WP-0280500-SC | WASHER | (1) |
| 36 | | SM-8031002-TP | SCREW | (1) |
| 37 | | NM-6030001-SD | NUT M3X0.5 | (1) |
| 38 | | 400-70230 | SPRING_R | (1) |
| 39 | | 400-70229 | SPRING_L | (1) |
| 40 | | PS-0150065-KP | SPRING_PIN 1.5X6 | (2) |
| 41 | | MUY-128S1000 | NEEDLE | 3 |
| 42 | | SM-8030312-TP | SCREW M3 L=3 | 4 |
| | NOTE | | #01....FOR B32 #02....FOR B40 #03....FOR B48 #04....FOR B56 #05....FOR B64 #06....FOR B32,B40,48 #07....FOR B56,B64 | |

NUMERICAL INDEX OF PARTS

| PART NO | PAGE | REF NO | PART NO | PAGE | REF NO | PART NO | PAGE | REF NO | PART NO | PAGE | REF NO |
|---------------|------|--------|---------------|------|--------|---------------|------|--------|---------------|------|--------|
| BT-0180101-EB | 16 | 19 | PJ-0460390-03 | 14 | 21 | SM-4040855-SP | 2 | 26 | SM-8030412-TP | 22 | 27 |
| BT-0180101-EB | 16 | 20 | PJ-3010652-01 | 18 | 4 | SM-4040855-SP | 2 | 49 | SM-8030412-TP | 24 | 28 |
| BT-0180101-EB | 16 | 21 | PJ-3040203-01 | 14 | 20 | SM-4040855-SP | 4 | 37 | SM-8031002-TP | 24 | 36 |
| BT-0400251-EB | 16 | 4 | PJ-3040405-04 | 6 | 23 | SM-4040855-SP | 4 | 46 | SM-8040360-TP | 2 | 8 |
| BT-0400251-EB | 16 | 5 | PJ-3040405-04 | 6 | 37 | SM-4040855-SP | 4 | 61 | SM-8040360-TP | 2 | 41 |
| BT-0400251-EB | 16 | 6 | PJ-3040451-02 | 12 | 65 | SM-4040855-SP | 6 | 39 | SM-8040360-TP | 4 | 8 |
| BT-0400251-EB | 16 | 7 | PJ-3040651-01 | 12 | 5 | SM-4041055-SP | 2 | 30 | SM-8040360-TP | 4 | 36 |
| BT-0400251-EB | 16 | 8 | PJ-3040651-01 | 18 | 23 | SM-4041055-SP | 2 | 32 | SM-8040360-TP | 6 | 48 |
| BT-0400251-EB | 16 | 9 | PS-0150042-K0 | 10 | 20 | SM-4041055-SP | 4 | 25 | SM-8040360-TP | 6 | 52 |
| BT-0400251-EB | 16 | 10 | PS-0150065-KP | 24 | 40 | SM-4041055-SP | 4 | 48 | SM-8040412-TP | 2 | 37 |
| BT-0400251-EB | 16 | 11 | PS-0150082-KH | 20 | 31 | SM-4041655-SP | 6 | 42 | SM-8040412-TP | 4 | 32 |
| BT-0400251-EB | 16 | 12 | PS-0150082-KH | 22 | 30 | SM-4042055-SP | 2 | 11 | SM-8040412-TP | 10 | 44 |
| BT-0400251-EB | 16 | 13 | PV-0351610-00 | 12 | 3 | SM-4042055-SP | 4 | 11 | SM-8040412-TP | 10 | 48 |
| BT-0400251-EB | 16 | 14 | PV-0351610-00 | 18 | 25 | SM-4043555-SP | 12 | 9 | SM-8041012-TP | 2 | 75 |
| BT-0400251-EB | 16 | 15 | PV-1501032-00 | 12 | 7 | SM-4043555-SP | 18 | 27 | SM-8041012-TP | 4 | 63 |
| BT-0400251-EB | 16 | 16 | PV-1501032-00 | 18 | 26 | SM-4051455-SP | 2 | 22 | SM-8050412-TP | 10 | 12 |
| BT-0400251-EB | 16 | 17 | PX-0551040-00 | 12 | 4 | SM-4051455-SP | 2 | 59 | SM-8050612-TP | 10 | 2 |
| BT-0400251-EB | 16 | 18 | PX-0551040-00 | 18 | 24 | SM-4051455-SP | 4 | 15 | SM-8050642-TP | 10 | 13 |
| BT-0600401-EB | 16 | 1 | PX-5000050-00 | 12 | 40 | SM-4051455-SP | 4 | 56 | SM-8050812-TP | 10 | 25 |
| BT-0600401-EB | 16 | 2 | PX-5000060-00 | 12 | 41 | SM-5040655-SN | 2 | 71 | SM-8050812-TP | 10 | 28 |
| BT-0600401-EB | 16 | 3 | PX-5000140-00 | 16 | 38 | SM-5040655-SN | 14 | 22 | | | |
| BT-0600402-EA | 2 | 73 | PX-5000140-00 | 18 | 28 | SM-6020350-SP | 8 | 26 | TA-0400301-M0 | 10 | 10 |
| B3132-552-000 | 6 | 19 | | | | SM-6030350-SN | 14 | 23 | TA-0600401-R0 | 10 | 34 |
| | | | RE-0300000-K0 | 6 | 43 | SM-6030650-TP | 14 | 28 | TA-0980502-R0 | 8 | 35 |
| CM-3002000-01 | 2 | 58 | RO-0360802-00 | 6 | 26 | SM-6030800-SP | 4 | 45 | | | |
| CM-3002000-01 | 4 | 14 | RO-0371801-00 | 2 | 9 | SM-6031602-TN | 14 | 30 | WP-0280500-SC | 24 | 35 |
| CS-1000881-TP | 10 | 11 | RO-0371801-00 | 4 | 9 | SM-6040450-TP | 2 | 15 | WP-0320500-SC | 10 | 31 |
| | | | RO-1182401-00 | 10 | 29 | SM-6040450-TP | 2 | 44 | WP-0320500-SC | 14 | 29 |
| EA-9500B01-00 | 12 | 49 | | | | SM-6040450-TP | 2 | 47 | WP-0320501-SE | 14 | 24 |
| EA-9500B01-00 | 18 | 8 | SB-3260002-0A | 10 | 3 | SM-6040602-TN | 2 | 72 | WP-0420516-KH | 8 | 10 |
| | | | SB-3260002-0B | 10 | 4 | SM-6040602-TN | 4 | 19 | WP-0430800-SC | 12 | 20 |
| F1021-003-000 | 18 | 3 | SB-3260002-0C | 10 | 5 | SM-6040650-TP | 8 | 37 | WP-0430801-SC | 2 | 46 |
| | | | SB-3260002-0D | 10 | 6 | SM-6040750-TP | 2 | 70 | WP-0430801-SC | 2 | 50 |
| HX-0015000-0B | 12 | 54 | SB-3260002-0E | 10 | 7 | SM-6040750-TP | 4 | 64 | WP-0430801-SC | 4 | 41 |
| HX-0015000-0C | 12 | 47 | SD-0350156-TP | 14 | 26 | SM-6040800-SP | 2 | 3 | WP-0431005-SP | 8 | 13 |
| HX-0015000-0C | 18 | 12 | SD-0470316-TP | 6 | 25 | SM-6040800-SP | 2 | 4 | WP-0450801-SC | 4 | 47 |
| HX-0031400-0A | 18 | 11 | SD-0500205-TH | 14 | 25 | SM-6040800-SP | 4 | 4 | WP-0450826-SC | 12 | 45 |
| HX-0031400-0D | 2 | 77 | SD-0600277-TP | 14 | 27 | SM-6040800-SP | 4 | 21 | WP-0621016-SD | 12 | 66 |
| HX-0031400-0D | 4 | 67 | SD-0700706-TP | 12 | 34 | SM-6040800-SP | 12 | 44 | WS-0260002-KN | 14 | 32 |
| HX-0031400-0D | 12 | 57 | SK-3452001-SE | 18 | 5 | SM-6040800-SP | 20 | 26 | WS-0510002-KP | 2 | 54 |
| HX-0031400-0D | 12 | 58 | SK-3452001-SE | 18 | 29 | SM-6040800-SP | 22 | 26 | WS-0510002-KP | 4 | 39 |
| HX-0031400-00 | 12 | 56 | SL-4051091-SC | 18 | 10 | SM-6040800-SP | 24 | 26 | WS-0610002-KP | 12 | 36 |
| | | | SL-6042092-TN | 2 | 21 | SM-6040802-TP | 12 | 21 | WT-0430002-KN | 12 | 52 |
| MUY-128S1000 | 20 | 5 | SL-6042092-TN | 4 | 55 | SM-6041000-SP | 10 | 37 | | | |
| MUY-128S1000 | 20 | 6 | SL-6051492-TN | 18 | 19 | SM-6041000-SP | 10 | 41 | 131-20605 | 10 | 22 |
| MUY-128S1000 | 22 | 5 | SM-1020450-TP | 8 | 24 | SM-6041002-TP | 10 | 47 | 131-40504 | 6 | 2 |
| MUY-128S1000 | 22 | 6 | SM-1040650-TP | 2 | 69 | SM-6041202-TP | 12 | 33 | 131-60106 | 18 | 15 |
| MUY-128S1000 | 24 | 6 | SM-1040650-TP | 4 | 66 | SM-6050800-SP | 2 | 31 | 133-01809 | 2 | 33 |
| MUY-128S1000 | 24 | 41 | SM-1040800-SP | 2 | 39 | SM-6050800-SP | 4 | 42 | 133-01809 | 4 | 28 |
| | | | SM-1040800-SP | 4 | 34 | SM-6050802-TP | 12 | 60 | 133-02203 | 2 | 20 |
| NM-6030001-SD | 24 | 37 | SM-1040860-SP | 2 | 16 | SM-6051000-SP | 2 | 38 | 133-02302 | 2 | 35 |
| NM-6040000-SN | 2 | 29 | SM-1040860-SP | 4 | 23 | SM-6051002-TP | 12 | 14 | 133-02302 | 4 | 30 |
| NM-6040000-SN | 2 | 76 | SM-1850600-SP | 20 | 25 | SM-6051200-TP | 12 | 43 | 133-40302 | 6 | 3 |
| NM-6040000-SN | 4 | 58 | SM-1850600-SP | 22 | 25 | SM-6061002-TP | 12 | 30 | 133-50004 | 24 | 1 |
| NM-6040001-SC | 4 | 49 | SM-1850600-SP | 24 | 32 | SM-6061202-TP | 12 | 16 | 133-50103 | 20 | 1 |
| NM-6040001-SP | 8 | 14 | SM-4020301-SC | 14 | 33 | SM-6061400-SP | 12 | 8 | 133-50103 | 22 | 1 |
| NM-6050001-SC | 10 | 23 | SM-4030455-SP | 10 | 32 | SM-6061402-TP | 10 | 17 | 133-50103 | 24 | 2 |
| NM-6050001-SP | 8 | 8 | SM-4031001-SN | 12 | 31 | SM-6850350-TP | 2 | 79 | 133-50301 | 20 | 3 |
| NM-6160511-SE | 6 | 38 | SM-4040501-SN | 12 | 53 | SM-6850400-SP | 2 | 14 | 133-50301 | 22 | 3 |
| | | | SM-4040655-SP | 2 | 6 | SM-6850400-SP | 2 | 43 | 133-50301 | 24 | 4 |
| PA-0400401-00 | 14 | 19 | SM-4040655-SP | 2 | 27 | SM-6850400-SP | 14 | 15 | 133-50400 | 20 | 4 |
| PA-0600504-A0 | 6 | 22 | SM-4040655-SP | 2 | 51 | SM-6850400-SP | 20 | 40 | 133-50400 | 22 | 4 |
| PA-0600504-A0 | 6 | 32 | SM-4040655-SP | 2 | 60 | SM-6850400-SP | 22 | 37 | 133-50400 | 24 | 5 |
| PA-0600601-00 | 14 | 18 | SM-4040655-SP | 4 | 6 | SM-6850400-SP | 24 | 34 | 133-50509 | 20 | 2 |
| PA-1002009-B0 | 12 | 39 | SM-4040655-SP | 4 | 16 | SM-6851452-TN | 14 | 31 | 133-50509 | 22 | 2 |
| PA-2001802-A0 | 12 | 10 | SM-4040655-SP | 4 | 51 | SM-6852002-TN | 14 | 14 | 133-50509 | 24 | 3 |
| PA-2503004-A0 | 12 | 62 | SM-4040655-SP | 6 | 21 | SM-8030312-TP | 20 | 7 | 133-75209 | 20 | 24 |
| PC-0105080-00 | 12 | 11 | SM-4040655-SP | 6 | 45 | SM-8030312-TP | 20 | 8 | 133-75209 | 22 | 24 |
| PC-0105080-00 | 12 | 42 | SM-4040655-SP | 12 | 17 | SM-8030312-TP | 22 | 7 | 133-75209 | 24 | 27 |
| PF-0552070-C0 | 18 | 2 | SM-4040655-SP | 12 | 23 | SM-8030312-TP | 22 | 8 | 133-75308 | 20 | 30 |
| PH-0300252-C0 | 2 | 7 | SM-4040655-SP | 12 | 29 | SM-8030312-TP | 24 | 7 | 133-75308 | 22 | 29 |
| PH-0300252-C0 | 4 | 7 | SM-4040655-SP | 12 | 48 | SM-8030312-TP | 24 | 42 | 133-77106 | 20 | 29 |
| PJ-0251000-02 | 12 | 6 | SM-4040655-SP | 12 | 55 | SM-8030402-TP | 20 | 27 | 133-77106 | 22 | 28 |
| PJ-0251000-02 | 18 | 22 | SM-4040655-SP | 18 | 7 | SM-8030412-TP | 6 | 49 | 133-77106 | 24 | 29 |
| PJ-0325260-01 | 18 | 9 | SM-4040655-SP | 18 | 13 | SM-8030412-TP | 20 | 28 | 134-01906 | 2 | 5 |

NUMERICAL INDEX OF PARTS

| PART NO | PAGE | REF NO | PART NO | PAGE | REF NO | PART NO | PAGE | REF NO | PART NO | PAGE | REF NO |
|-----------|------|--------|-----------|------|--------|-----------|------|--------|-----------|------|--------|
| 134-01906 | 4 | 5 | 229-21308 | 6 | 35 | 400-86290 | 8 | 33 | 700-01949 | 20 | 10 |
| 134-02003 | 2 | 12 | 229-21407 | 6 | 34 | 400-86292 | 8 | 12 | 700-01950 | 20 | 35 |
| 134-02003 | 4 | 22 | 229-21506 | 6 | 30 | 400-86293 | 8 | 5 | 700-01951 | 20 | 20 |
| 134-02706 | 2 | 40 | 229-21803 | 6 | 33 | 400-86294 | 8 | 3 | 700-01952 | 20 | 17 |
| 134-02706 | 4 | 35 | 229-45505 | 6 | 54 | 400-86295 | 8 | 6 | 700-03355 | 2 | 61 |
| 134-09800 | 2 | 55 | 260-19000 | 6 | 4 | 400-86296 | 8 | 7 | 700-03355 | 4 | 24 |
| 134-09800 | 4 | 40 | | | | 400-86298 | 8 | 30 | 700-03432 | 2 | 62 |
| 134-22001 | 10 | 1 | 400-18052 | 18 | 1 | 400-86299 | 8 | 31 | 700-03433 | 2 | 63 |
| 134-22605 | 10 | 8 | 400-18079 | 12 | 61 | 400-86300 | 8 | 16 | 700-03434 | 14 | 1 |
| 134-22704 | 10 | 19 | 400-19868 | 2 | 57 | 400-86300 | 8 | 21 | 700-03435 | 14 | 2 |
| 134-22803 | 10 | 21 | 400-19868 | 4 | 13 | 400-86301 | 8 | 18 | 700-03436 | 14 | 3 |
| 134-22902 | 10 | 26 | 400-19869 | 12 | 37 | 400-86302 | 8 | 34 | 700-03437 | 14 | 4 |
| 134-23009 | 10 | 24 | 400-19870 | 12 | 38 | 400-86302 | 8 | 39 | 700-03438 | 14 | 5 |
| 134-23306 | 10 | 42 | 400-19877 | 12 | 46 | 400-86303 | 8 | 4 | 700-03439 | 14 | 6 |
| 134-23405 | 10 | 35 | 400-21746 | 12 | 35 | 400-86308 | 8 | 25 | 700-03440 | 14 | 7 |
| 134-23504 | 10 | 39 | 400-26691 | 18 | 17 | 400-90130 | 24 | 21 | 700-03441 | 14 | 8 |
| 134-23603 | 10 | 38 | 400-27211 | 12 | 50 | 400-90131 | 24 | 22 | 700-03442 | 14 | 9 |
| 134-23702 | 10 | 43 | 400-27213 | 12 | 51 | 400-90132 | 24 | 23 | 700-03443 | 14 | 10 |
| 134-23801 | 10 | 36 | 400-27899 | 20 | 39 | 400-90133 | 24 | 17 | 700-03444 | 14 | 11 |
| 134-23801 | 10 | 40 | 400-27899 | 22 | 36 | 400-90196 | 24 | 18 | 700-03446 | 18 | 20 |
| 134-23801 | 10 | 46 | 400-29648 | 20 | 22 | 400-90197 | 24 | 19 | 700-03447 | 14 | 12 |
| 134-23900 | 10 | 14 | 400-29649 | 20 | 32 | 400-94198 | 18 | 18 | 700-03448 | 14 | 13 |
| 134-24304 | 10 | 9 | 400-30059 | 2 | 56 | 401-01602 | 6 | 9 | 700-03449 | 6 | 36 |
| 134-24403 | 10 | 16 | 400-30059 | 4 | 12 | 401-02003 | 6 | 10 | 700-03451 | 2 | 64 |
| 134-24452 | 10 | 15 | 400-32255 | 20 | 18 | 401-19461 | 2 | 18 | 700-03452 | 2 | 65 |
| 134-24502 | 10 | 18 | 400-32900 | 22 | 14 | 401-19461 | 4 | 53 | 700-03453 | 14 | 16 |
| 134-24601 | 10 | 33 | 400-35066 | 22 | 33 | 401-36651 | 18 | 30 | 700-03455 | 14 | 17 |
| 134-24700 | 10 | 45 | 400-38032 | 22 | 31 | | | | 700-03456 | 2 | 67 |
| 134-24809 | 10 | 49 | 400-38064 | 20 | 38 | 700-01413 | 2 | 17 | 700-03457 | 2 | 68 |
| 134-30103 | 24 | 14 | 400-38064 | 22 | 35 | 700-01413 | 4 | 52 | 700-03457 | 4 | 18 |
| 134-31200 | 24 | 13 | 400-38066 | 22 | 22 | 700-01414 | 2 | 53 | 700-04052 | 10 | 27 |
| 134-40409 | 8 | 32 | 400-39794 | 22 | 19 | 700-01414 | 4 | 38 | 700-04067 | 6 | 20 |
| 134-42504 | 12 | 1 | 400-39795 | 22 | 21 | 700-01457 | 2 | 19 | 700-04068 | 6 | 24 |
| 134-42603 | 12 | 26 | 400-39796 | 22 | 18 | 700-01457 | 4 | 54 | 700-04069 | 6 | 53 |
| 134-42702 | 12 | 27 | 400-40255 | 2 | 48 | 700-01479 | 12 | 32 | 700-04070 | 6 | 15 |
| 134-42900 | 12 | 13 | 400-40255 | 4 | 27 | 700-01484 | 4 | 62 | 700-04071 | 6 | 16 |
| 134-43007 | 12 | 15 | 400-40513 | 24 | 12 | 700-01615 | 6 | 11 | 700-04072 | 6 | 17 |
| 134-43106 | 12 | 25 | 400-40514 | 24 | 10 | 700-01616 | 6 | 12 | 700-04073 | 6 | 18 |
| 134-43205 | 12 | 22 | 400-41203 | 22 | 11 | 700-01617 | 6 | 13 | 700-04074 | 6 | 1 |
| 134-43601 | 12 | 12 | 400-41204 | 22 | 12 | 700-01618 | 6 | 40 | 700-04075 | 12 | 2 |
| 134-45101 | 22 | 10 | 400-41249 | 22 | 13 | 700-01620 | 6 | 14 | 700-04075 | 18 | 21 |
| 134-45200 | 20 | 11 | 400-42363 | 6 | 5 | 700-01621 | 6 | 44 | 700-04076 | 6 | 27 |
| 134-45309 | 20 | 12 | 400-42364 | 6 | 6 | 700-01642 | 2 | 24 | 700-04077 | 6 | 28 |
| 134-55001 | 12 | 63 | 400-42365 | 6 | 7 | 700-01642 | 4 | 59 | 700-04078 | 6 | 29 |
| 134-55100 | 12 | 64 | 400-42366 | 6 | 8 | 700-01643 | 2 | 25 | 700-04079 | 6 | 31 |
| 134-56108 | 6 | 46 | 400-48636 | 22 | 20 | 700-01643 | 4 | 60 | 700-04080 | 20 | 14 |
| 134-56207 | 6 | 47 | 400-48637 | 22 | 17 | 700-01646 | 2 | 52 | 700-04081 | 22 | 16 |
| 134-56405 | 6 | 51 | 400-49944 | 22 | 34 | 700-01648 | 2 | 36 | 700-04082 | 8 | 1 |
| 134-56603 | 6 | 50 | 400-58033 | 24 | 11 | 700-01648 | 4 | 31 | 700-04083 | 8 | 15 |
| 134-67600 | 20 | 21 | 400-58587 | 24 | 8 | 700-01650 | 4 | 29 | 700-04084 | 8 | 28 |
| 134-67758 | 20 | 19 | 400-58639 | 22 | 9 | 700-01652 | 4 | 43 | 700-04150 | 20 | 13 |
| 134-67907 | 20 | 23 | 400-58706 | 24 | 9 | 700-01655 | 2 | 2 | 700-04151 | 22 | 15 |
| 134-67907 | 22 | 23 | 400-65785 | 6 | 41 | 700-01655 | 4 | 2 | 700-04247 | 2 | 66 |
| 134-68103 | 20 | 33 | 400-69018 | 20 | 34 | 700-01661 | 2 | 10 | 700-04248 | 2 | 45 |
| 134-68103 | 22 | 32 | 400-69019 | 20 | 36 | 700-01661 | 4 | 10 | 700-04255 | 4 | 57 |
| 180-35006 | 16 | 22 | 400-69020 | 20 | 37 | 700-01662 | 8 | 2 | 700-04256 | 4 | 3 |
| 180-35105 | 16 | 23 | 400-69022 | 20 | 15 | 700-01663 | 2 | 23 | 700-04258 | 4 | 1 |
| 180-35204 | 16 | 24 | 400-69023 | 20 | 16 | 700-01663 | 4 | 20 | 700-04262 | 4 | 65 |
| 180-35303 | 16 | 25 | 400-69703 | 12 | 59 | 700-01673 | 2 | 28 | 700-04264 | 4 | 26 |
| 180-35402 | 16 | 26 | 400-70110 | 8 | 11 | 700-01673 | 4 | 50 | 700-04265 | 4 | 33 |
| 180-35808 | 16 | 27 | 400-70224 | 24 | 25 | 700-01678 | 4 | 44 | 700-04267 | 24 | 16 |
| 180-35907 | 16 | 28 | 400-70226 | 24 | 30 | 700-01762 | 10 | 30 | 700-04268 | 24 | 15 |
| 180-36004 | 16 | 29 | 400-70227 | 24 | 31 | 700-01776 | 12 | 18 | 700-04279 | 22 | 40 |
| 180-36103 | 16 | 30 | 400-70229 | 24 | 39 | 700-01777 | 12 | 28 | 700-04771 | 8 | 36 |
| 180-36202 | 16 | 31 | 400-70230 | 24 | 38 | 700-01778 | 12 | 19 | 700-04772 | 8 | 38 |
| 180-36400 | 16 | 32 | 400-70231 | 24 | 33 | 700-01785 | 18 | 6 | 700-04847 | 2 | 42 |
| 180-36509 | 16 | 33 | 400-73360 | 18 | 14 | 700-01800 | 8 | 17 | 700-04848 | 2 | 78 |
| 180-36608 | 16 | 34 | 400-82974 | 24 | 20 | 700-01801 | 8 | 19 | 700-05079 | 16 | 39 |
| 180-37101 | 16 | 35 | 400-82975 | 24 | 24 | 700-01843 | 18 | 16 | | | |
| 180-37200 | 16 | 36 | 400-86275 | 8 | 9 | 700-01866 | 2 | 1 | | | |
| 180-37309 | 16 | 37 | 400-86277 | 8 | 27 | 700-01870 | 2 | 34 | | | |
| | | | 400-86279 | 8 | 29 | 700-01885 | 22 | 38 | | | |
| 229-01409 | 2 | 74 | 400-86280 | 8 | 23 | 700-01886 | 22 | 39 | | | |
| 229-01409 | 4 | 17 | 400-86282 | 8 | 22 | 700-01890 | 2 | 13 | | | |
| 229-01805 | 12 | 24 | 400-86286 | 8 | 20 | 700-01948 | 20 | 9 | | | |