

PARTS LIST

MF-7900-E11 PARTS LIST

下記 URL (PARTS Website/PC サイト) より、便利な検索機能のついた Web Parts Book をご利用頂けます。
ご利用には会員登録が必要です。(無料)

<https://juki.aftama.com/JUKI/JA>

You can use a Web Parts Book with a convenient search function from the URLs (PARTS Website/PC-site)
below. To use the PARTS Website, free membership registration is required.

<https://juki.aftama.com/JUKI/EN>

HOW TO MAKE USE OF THIS PARTS LIST

1.Explanation of codes

1)"*" mark.....means this part is changed from the previous parts book.

As to the details of the change, refer to the "List for information of change".

2)"#01".....refer to "Note" explanation at bottom of page.

2.Codes on the "Qty" column

- Each numeral indicates the number of parts required.
- "0.1" and "2.5" indicate the length (in meters) of the respective parts.

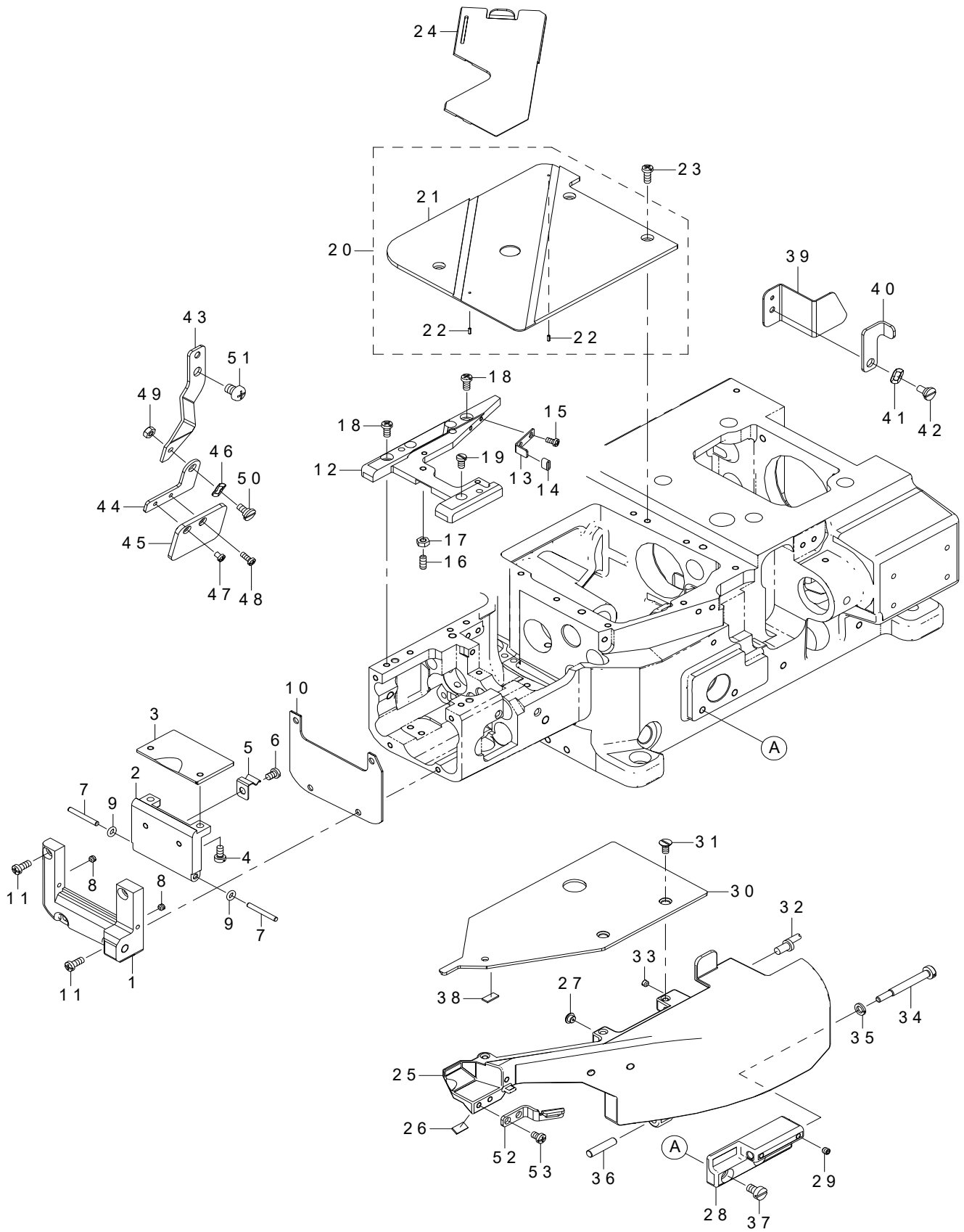
3.Parentheses mean that the corresponding part is a subpart that constructs an assembly part.

4.Dotted lines on the Figures indicate assembly parts.

CONTENTS

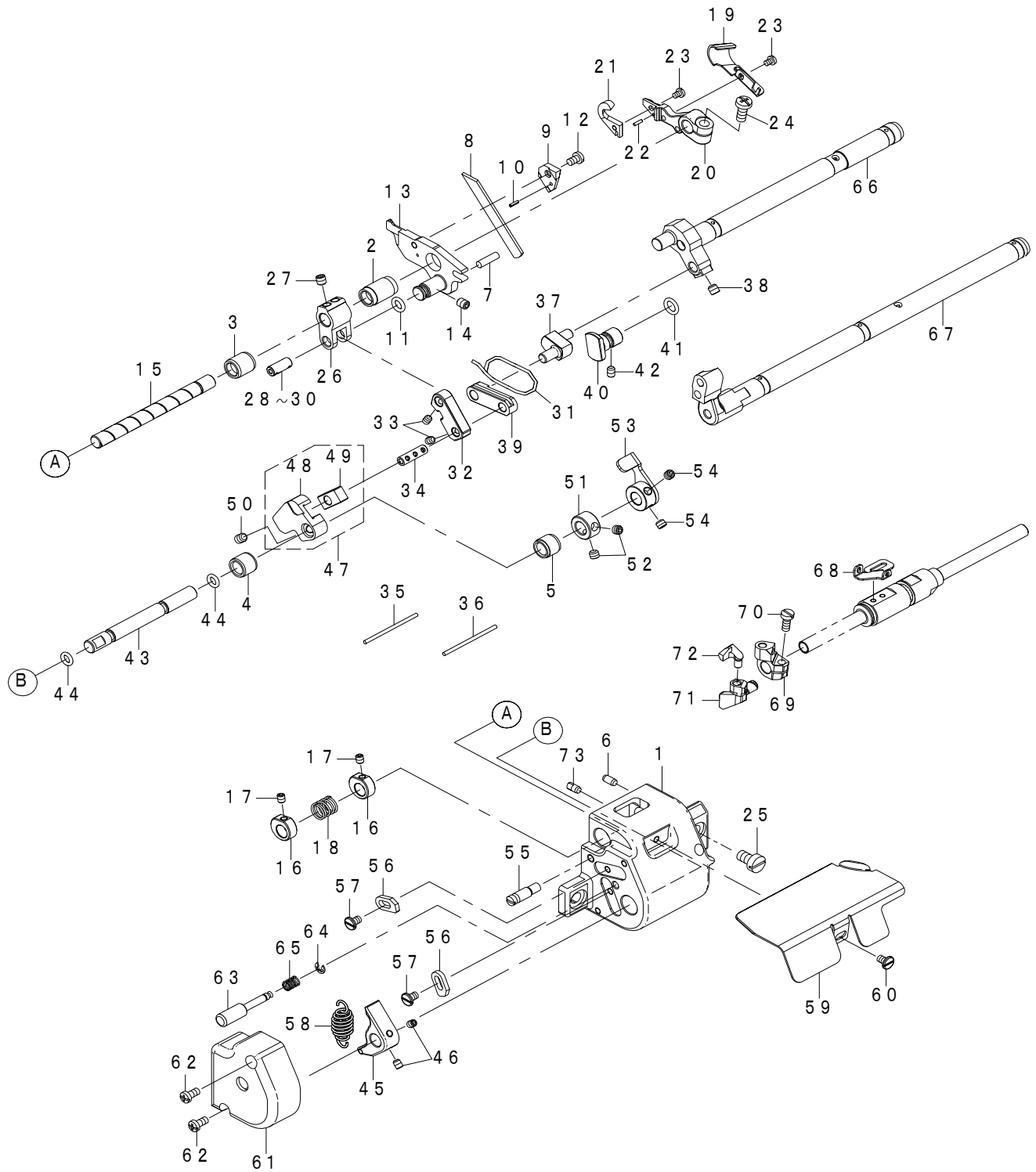
1. MISCELLANEOUS COVER COMPONENTS	1
2. FABRIC TRIMMER RIGHT COMPONENTS	3
3. TAPE GUIDE COMPONENTS	5
4. GAUGE PARTS COMPONENTS	7
5. TENSION ROLLER COMPONENTS	9
6. LIST FOR INFORMATION OF CHANGE	11
NUMERICAL INDEX OF PARTS	12

1. MISCELLANEOUS COVER COMPONENTS



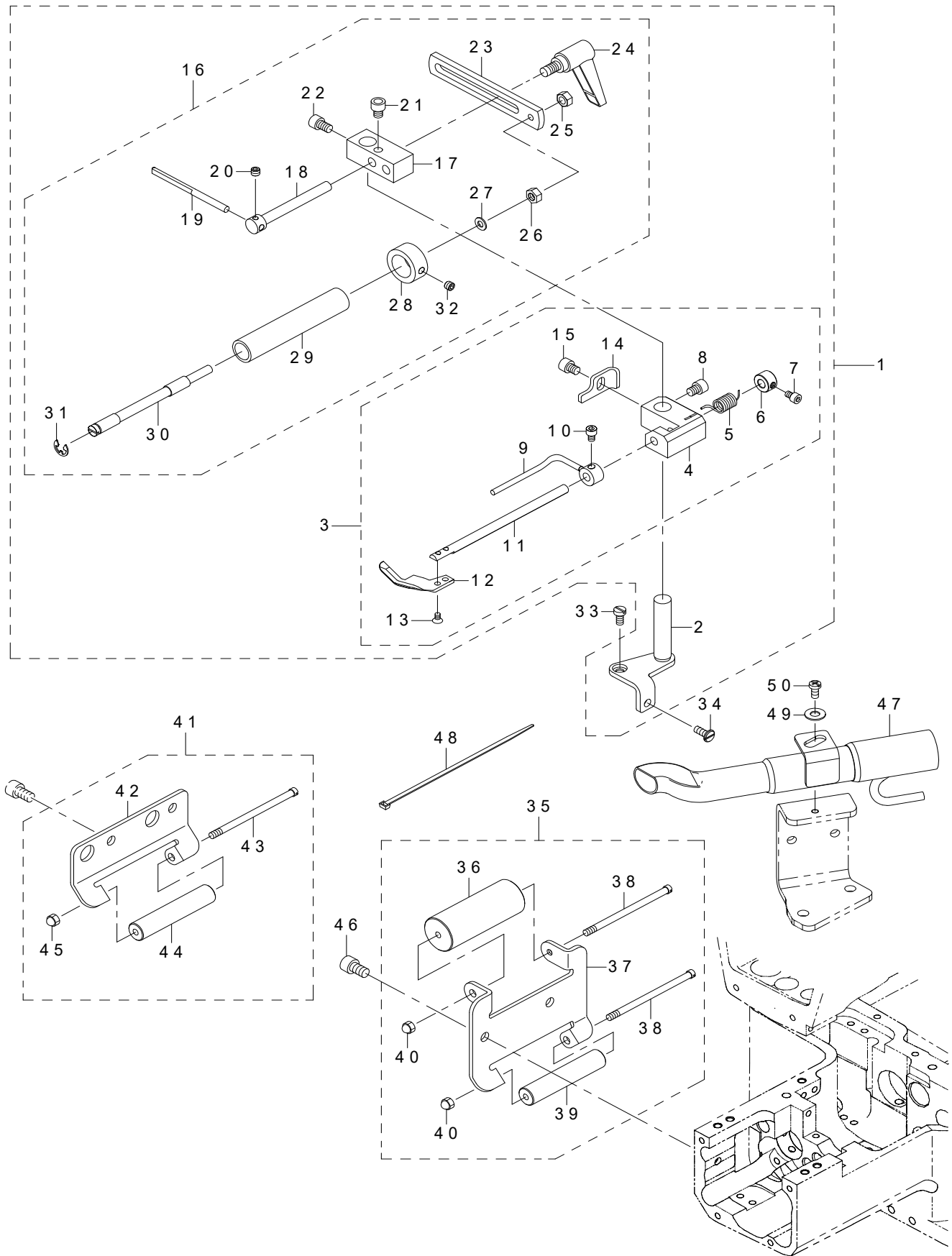
REF.NO	NOTE	PART NO	DESCRIPTION	Qty
1		700-03353	CYLINDER_COVER	1
2		700-01655	SIDE_COVER_BOTTOM	1
3		700-01653	SIDE_COVER_UPPER	1
4		SM-6040800-SP	SCREW	2
5		134-01906	LATCH_SPRING_2	1
6		SM-4040655-SP	SCREW M4 L=6	1
7		PH-0300252-C0	PIN	2
8		SM-8040360-TP	SCREW	2
9		RO-0371801-00	RUBBER_RING	2
10		700-01661	GASKET	1
11		SM-4041055-SP	SCREW	4
12		700-03352	THROAT_PLATE_SUPPORT_E11	1
13		134-03407	SLIDE_COVER_SUPPORT	1
14		236-30007	TUBE	0.01
15		SM-4030655-SP	SCREW	2
16		SM-8041012-TP	SCREW M4 L=10	1
17		NM-6040001-SC	NUT M4X0.7 TYPE1	1
18		SM-4040855-SP	SCREW	2
19		SM-6040750-TP	SCREW M4 L=7	1
20		700-03355	CLOTH_PLATE_ASSY	1
21		700-03357	CLOTH_PLATE_REAR	(1)
22		PS-0150042-K0	SPRING PIN 1.5X 4	(2)
23		SM-4041055-SP	SCREW	3
24		400-16782	SLIDE_COVER	1
25		700-03358	SWING_DOWN_COVER_E11	1
26		134-03605	RUBBER_PLATE	1
27		133-02302	RUBBER BUMPER	1
28		700-01648	HINGE	1
29		SM-8040412-TP	SET SCREW M4 L=4	2
30		700-03360	CLOTH_PLATE_FRONT_E11	1
31		SM-1040800-SP	SCREW	2
32		134-02706	PIN FOR COVER	1
33		SM-8040360-TP	SCREW	1
34		700-01414	SCREW	1
35		WS-0510002-KP	SPRING WASHER 5.1X9.2X1.3	1
36		134-09800	DIFF_LINK_PIN	1
37		SM-6050800-SP	SCREW M5 L=8	2
38		134-03605	RUBBER_PLATE	1
39		700-01677	THREAD_COVER	1
40		700-04056	SWING_DOWN_COVER_STOPPER	1
41		WZ-0641510-KP	WAVED_WASHER 6.4X11X0.3	1
42		SD-0640246-SP	HINGE SCREW D=6.35 H=2.4	1
43		700-03351	BRACKET HOLDER	1
44		400-33341	BRACKET	1
45		400-26641	PROTECTION_SHIELD	1
46		WZ-0641510-KP	WAVED_WASHER 6.4X11X0.3	1
47		SM-4030455-SN	SCREW	1
48		SM-4030855-SN	SCREW M3 L=8.0	1
49		NM-6040000-SN	NUT M4	1
50		SD-0640246-SP	HINGE SCREW D=6.35 H=2.4	1
51		SM-4060801-SE	SCREW	1
52		700-03399	CLOTH_DUST_PIPE_STOPPER	1
53		SM-4040655-SP	SCREW M4 L=6	2

2. FABRIC TRIMMER RIGHT COMPONENTS



REF.NO	NOTE	PART NO	DESCRIPTION	Qty
1		700-03364	TRIMMER_BASE	1
2		700-01854	BUSHING_LEFT	1
3		700-03366	BUSHING_TRIMMER_SHAFT	1
4		700-03367	BUSHING_TRIMMER_SHAFT_LEFT	1
5		700-03368	BUSHING_SLIDER_SHAFT_RIGHT	1
6		133-02500	DOWEL PIN 2	2
7		118-46805	HOLDER PIN	1
8		400-38091	LOWER KNIFE	1
9		400-38511	LOWER_KNIFE_PRESSER_PLATE	1
10		PS-0150065-KP	SPRING PIN 1.5X6	1
11		RO-0552001-00	RUBBER RING	1
12		SM-4040655-SP	SCREW M4 L=6	1
13		700-03369	FIXED_KNIFE_BASE	1
14		SM-8050612-TP	SCREW M5X6	1
15		700-03370	FABRIC_TRIMMER_SHAFT	1
16		700-03371	THRUST_COLLAR	2
17		SM-8040512-TP	SCREW	2
18		400-10553	KNIFE_SPRING	1
19		700-04253	CHIP_GUARD	1
20		400-40137	MOVING_KNIFE_BASE	1
21		700-03483	MOVING_KNIFE	1
22		PH-0150065-C0	PIN	1
23		SM-4030455-SP	SCREW	3
24		SM-4051255-SP	SCREW ,M5 L=12.	1
25		SM-6061010-TP	SCREW M6 L=10	2
26		700-03372	TRIMMER_SHAFT_ARM	1
27		SM-8050512-TP	SCREW	2
28	#01	134-12002	MAIN FEED LINK PIN A	1
29	#01	134-12101	MAIN FEED LINK PIN B	1
30	#01	134-12200	MAIN FEED LINK PIN C	1
31		CQ-2020000-00	COTTON OIL WICK D=2	0.19
32		700-03373	LINK	1
33		SM-8040512-TP	SCREW	2
34		131-31602	UPPER LOOPER HOLDER PIN E	1
35		CQ-2020000-00	COTTON OIL WICK D=2	0.04
36		CQ-2000000-00	OIL WICK	0.04
37		700-03374	ADJUST_PIN	1
38		SM-8050512-TP	SCREW	1
39		700-03375	LINK_SHORT	1
40		700-03376	LINK_GUIDE	1
41		RO-0681901-00	RUBBER RING	1
42		SM-8040612-TP	SCREW M4 L=6	1
43		700-03377	SLIDER_SHAFT	1
44		RO-0481901-00	RUBBER RING	2
45		700-03378	SPRING_LEVER	1
46		SM-8040512-TP	SCREW	2
47		700-03394	SLIDER_GUIDE_ASSY	1
48		700-03379	SLIDER_GUIDE	(1)
49		700-03389	SLIDER_BLOCK	(1)
50		SM-8050612-TP	SCREW M5X6	1
51		CS-0800881-TP	THRUST COLLAR	1
52		SM-8050412-TP	SCREW M5 L=4	2
53		700-03380	HAND_LEVER	1
54		SM-8050412-TP	SCREW M5 L=4	2
55		400-40963	TENSION_SPRING_RACK_B	1
56		700-03383	STOPPER	2
57		SM-6040650-TP	SCREW	2
58		144-20004	SPURING	1
59		700-03384	GUIDE_CIRCLE	1
60		SM-6040650-TP	SCREW	1
61		700-03385	SIDE_COVER	1
62		SM-4040855-SP	SCREW	2
63		700-03390	PIN	1
64		RE-0300000-K0	E-RING 3	1
65		131-23302	ADJUSTING SPRING	1
66		400-38099	FEED_LIFT_SHAFT	1
67		700-03346	DIFF_FEED_SHAFT_E11	1
68	*	700-04730	THREAD_GUIDE	1
69		700-03427	LOOPER HOLDER	1
70		SM-6041000-SP	SCREW M4 L=10	1
71		700-03425	HOLDER_FRONT_NEEDLE_GUARD	1
72		700-03426	FRONT_NEEDLE_GUARD	1
73		133-01908	DOWEL PIN	1
		NOTE	#01....SELECTIVE PARTS	

3. TAPE GUIDE COMPONENTS



REF.NO	NOTE	PART NO	DESCRIPTION	Qty
1		400-24947	ELASTIC_ATTACHING_DEVICE_ASSY	1
2		400-20050	STUD_ASSEMBLY	(1)
3		400-20053	HOLD_DOWN_PLATE_ASSY	(1)
4		400-20055	BRACKET	(1)
5		400-20060	SPRING	(1)
6		CS-0550781-CB	THRUST COLLAR D=5.5 W=7	(1)
7		SM-6040502-TP	SCREW M4X0.7 L=5	(1)
8		SM-6050652-TP	HEXAGON SOCKET HEAD SCREW M5X6	(1)
9		400-20057	LEVER_ASSEMBLY	(1)
10		SM-6040502-TP	SCREW M4X0.7 L=5	(1)
11		400-20062	SHAFT	(1)
12		400-20054	HOLD_DOWN_PLATE	(1)
13		SM-1030501-SN	SCREW M3 L=5	(2)
14		400-20056	STOPPER	(1)
15		SM-6050652-TP	HEXAGON SOCKET HEAD SCREW M5X6	(1)
16		400-20063	ELASTIC_ATTACHING_DEVICE	(1)
17		400-20064	SUPPORT	(1)
18		400-20066	HOLDER	(1)
19		400-20067	ELASTIC_GUIDE	(1)
20		SM-8040302-TP	SETSCREW	(1)
21		SM-6050652-TP	HEXAGON SOCKET HEAD SCREW M5X6	(1)
22		SM-6050802-TP	SCREW M5X0.8 L=8	(1)
23		400-20065	BRACKET	(1)
24		400-20071	CLAMP_LEVER M6 L=12	(1)
25		NM-6050002-SE	NUT M5	(1)
26		NM-6050002-SE	NUT M5	(1)
27		WP-0550836-SC	WASHER 5.5X12X0.8	(1)
28		400-20070	COLLAR	(1)
29		400-20069	ROLLER	(1)
30		400-20068	SHAFT	(1)
31		RE-0500000-K0	E-RING	(1)
32		SM-8040412-TP	SET SCREW M4 L=4	(1)
33		SM-6040800-SP	SCREW	1
34		SM-6040650-TP	SCREW	1
35	#01	400-26582	REAR_ROLLER_ASSY_2	1
36		400-21836	REAR_ROLLER_LARGE	(1)
37		400-21835	BRACKET_REAR_ROLLER_2	(1)
38		400-21838	SHAFT_REAR_ROLLER	(2)
39		400-21837	REAR_ROLLER_SMALL	(1)
40		NM-7040032-SC	HEXAGONAL CAP NUT, TYPE 3 M4	(2)
41	#02	400-26581	REAR_ROLLER_ASSY_1	1
42		400-21834	BRACKET_REAR_ROLLER_1	(1)
43		400-21838	SHAFT_REAR_ROLLER	(1)
44		400-21837	REAR_ROLLER_SMALL	(1)
45		NM-7040032-SC	HEXAGONAL CAP NUT, TYPE 3 M4	(1)
46		SM-6060802-TP	SCREW M6 L=8	2
47		700-03395	ASSY_CLOTH_DUST_PIPE	1
48		EA-9500B02-00	CABLE BAND 150	1
49		WP-0551626-SD	WASHER 5.5X22.0X1.6	1
50		SM-4040855-SP	SCREW	1

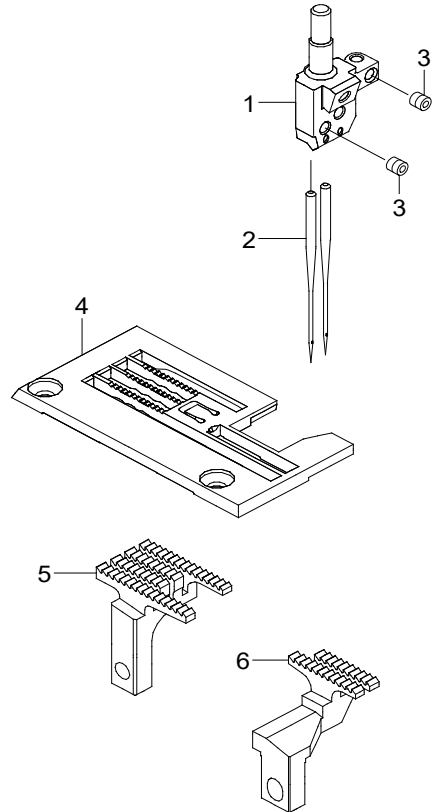
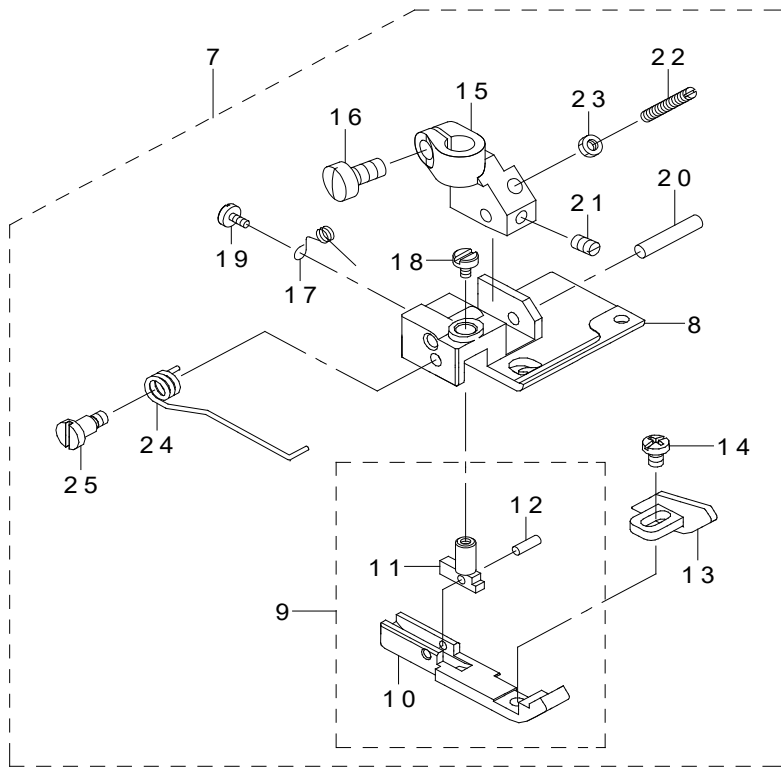
NOTE

#01...WITHOUT PULLER MODELS
(ACCESSORIES PARTS)

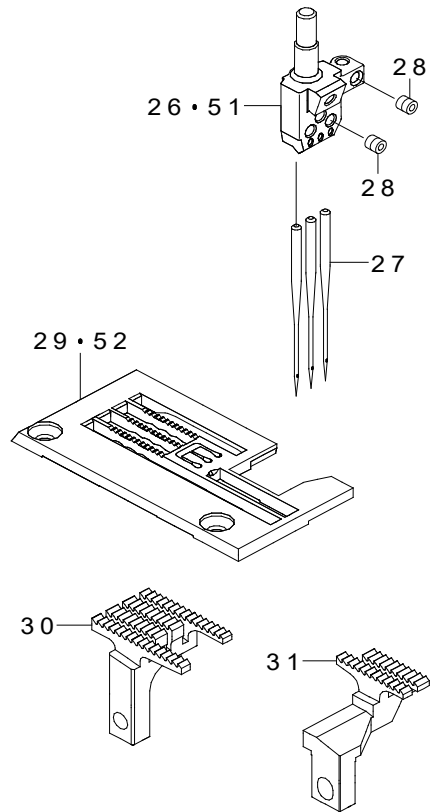
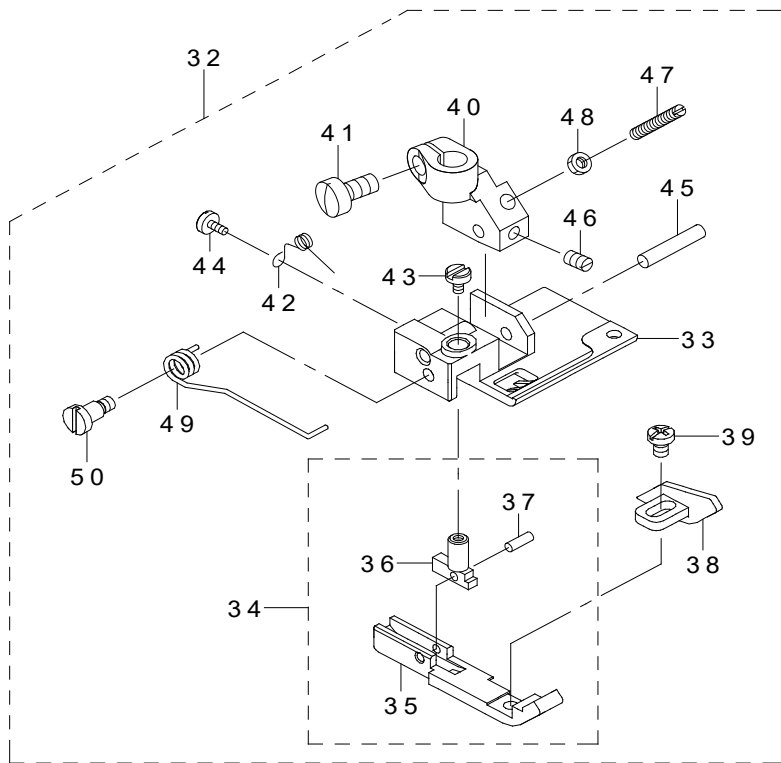
#02...WITH PULLER MODELS
(ACCESSORIES PARTS)

4. GAUGE PARTS COMPONENTS

MF-7922-E11-B40

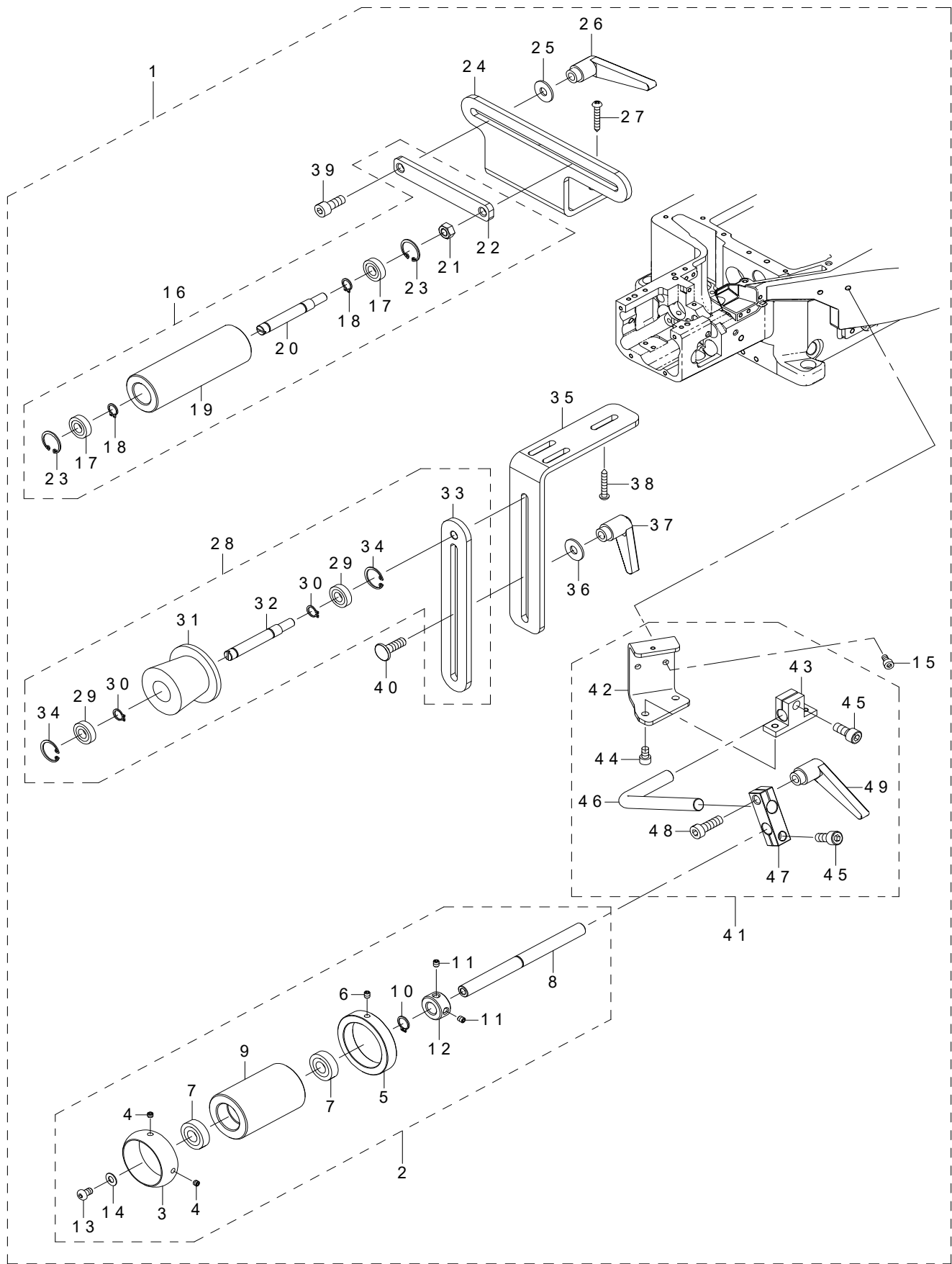


MF-7923-E11-B56
MF-7923-E11-B64



REF.NO	NOTE	PART NO	DESCRIPTION	Qty
1		133-50103	NEEDLE_HEAD_40	1
2		MUY-128S1000	NEEDLE	2
3		SM-8030312-TP	SCREW M3 L=3	3
4		133-56001	THROAT_PLATE	1
5		134-30806	MAIN_FEED_DOG	1
6		134-33107	DIFF_FEED_DOG	1
7		400-22100	PRESSER_FOOT_40_ASSY	1
8		400-22103	PRESSER_FOOT_BOTTOM_40	(1)
9		400-22106	YIELDING_SECTION_ASSY	(1)
10		400-22107	YIELDING_SECTION	(1)
11		133-77205	YIELDING_SECTION_SHANK	(1)
12		133-77304	PIVOT_PIN	(1)
13		400-22108	KNIFE_GUIDE	(1)
14		SM-4030455-SP	SCREW	(1)
15		133-76504	PRESSER_FOOT_SHANK	(1)
16		SM-7040800-SL	SCREW	(1)
17		133-76603	YIELDING_SECTION_SPRING	(1)
18		133-76702	THREAD_SPRING_SCREW	(1)
19		SM-4030455-SP	SCREW	(1)
20		PH-0300162-C0	PARALLEL PIN 3X16	(1)
21		SM-8030500-SP	SCREW	(1)
22		133-76801	SCREW_FOR_PRESSER_FOOT	(1)
23		NM-6030001-SD	NUT M3X0.5	(1)
24		400-22109	YIELDING_SECTIONSPRING	(1)
25		133-77809	GUIDE_SCREW	(1)
26	#01	133-50301	NEEDLE_HEAD_56	1
27		MUY-128S1000	NEEDLE	3
28		SM-8030312-TP	SCREW M3 L=3	4
29	#01	133-56209	THROAT_PLATE	1
30		134-30905	MAIN_FEED_DOG	1
31		134-33206	DIFF_FEED_DOG	1
32		400-22101	PRESSER_FOOT_56_ASSY	1
33		400-22104	PRESSER_FOOT_BOTTOM_56	(1)
34		400-22106	YIELDING_SECTION_ASSY	(1)
35		400-22107	YIELDING_SECTION	(1)
36		133-77205	YIELDING_SECTION_SHANK	(1)
37		133-77304	PIVOT_PIN	(1)
38		400-22108	KNIFE_GUIDE	(1)
39		SM-4030455-SP	SCREW	(1)
40		133-76504	PRESSER_FOOT_SHANK	(1)
41		SM-7040800-SL	SCREW	(1)
42		133-76603	YIELDING_SECTION_SPRING	(1)
43		133-76702	THREAD_SPRING_SCREW	(1)
44		SM-4030455-SP	SCREW	(1)
45		PH-0300162-C0	PARALLEL PIN 3X16	(1)
46		SM-8030500-SP	SCREW	(1)
47		133-76801	SCREW_FOR_PRESSER_FOOT	(1)
48		NM-6030001-SD	NUT M3X0.5	(1)
49		400-22109	YIELDING_SECTIONSPRING	(1)
50		133-77809	GUIDE_SCREW	(1)
51	#02	133-50400	NEEDLE_HEAD_64	1
52	#02	133-56308	THROAT_PLATE	1
		NOTE	#01....FOR MF-7923-E11-B56 #02....FOR MF-7923-E11-B64	

5. TENSION ROLLER COMPONENTS



REF.NO	NOTE	PART NO	DESCRIPTION	Qty
1		700-03687	MF-7900-E11_TENSION_ROLLER_ASSY	1
2		400-31141	FRONT_ROLLER_SUB_ASSEMBLY	(1)
3		400-24938	CLOTH_GUIDE	(1)
4		SM-8050412-TP	SCREW M5 L=4	(2)
5		400-21845	COLLAR_LARGE	(1)
6		SM-8050612-TP	SCREW M5X6	(1)
7		SB-1120002-00	BEARING	(2)
8		400-30143	ROLLER_SHAFT	(1)
9		400-30144	FRONT_ROLLER	(1)
10		RC-1200001-KP	C-SHAPED SNAP RING	(1)
11		SM-8050612-TP	SCREW M5X6	(2)
12		400-30284	COLLAR	(1)
13		SM-3061052-TP	SCREW M6 L=10	(1)
14		WP-0621016-SD	WASHER 6.2X13X1	(1)
15		SM-6051002-TP	SCREW M5X0.8 L=10	(2)
16		400-31142	REAR_ROLLER_SUB_ASSEMBLY	(1)
17		SB-1100009-00	BEARING	(2)
18		RC-0100001-KP	SNAP RING M10	(2)
19		400-30148	REAR_ROLLER	(1)
20		400-30147	REAR_SHAFT	(1)
21		NM-6080001-SC	NUT M8X1.25	(1)
22		400-30149	REAR_LEVER	(1)
23		RC-2200002-KP	RETAINING RING	(2)
24		400-30150	REAR_BRACKET	(1)
25		WP-0851846-SC	WASHER 8.5X22.0X1.8	(1)
26		400-31043	CLAMP_LEVER	(1)
27		SK-3483201-SE	WOOD SCREW D=4.8 L=32	(3)
28		400-31143	LOWER_ROLLER_SUB_ASSEMBLY	(1)
29		SB-1100009-00	BEARING	(2)
30		RC-0100001-KP	SNAP RING M10	(2)
31		400-30141	LOWER_ROLLER	(1)
32		400-30142	LOWER_ROLLER_SHAFT	(1)
33		400-30152	ROLLER_PLATE	(1)
34		RC-2200002-KP	RETAINING RING	(2)
35		400-24944	L_PLATE	(1)
36		WP-0851846-SC	WASHER 8.5X22.0X1.8	(1)
37		400-31043	CLAMP_LEVER	(1)
38		SK-3483201-SE	WOOD SCREW D=4.8 L=32	(3)
39		SM-6082002-TP	SCREW M8 L=20	(1)
40		MTJ-MS000100	BOLT M8 L=25	(1)
41		700-03422	FRONT_ROLLER_BRACKET_ASSY	(1)
42		700-03391	TENSION_ROLLER_BRACKET	(1)
43		700-03393	BRACKET	(1)
44		SM-6061002-TP	SCREW M6 L=10	(2)
45		SM-6081802-TP	SCREW	(2)
46		700-03392	TENSION_ROLLER_SHAFT	(1)
47		400-30151	BLOCK	(1)
48		SM-6082502-TP	SCREW M8 L=25	(1)
49		400-31043	CLAMP_LEVER	(1)

6. LIST FOR INFORMATION OF CHANGE

As to the place changed, refer to the corresponding Rev. No.
 When previous parts (Obsoleting part) and new parts (Added parts) are
 not interchangeable with each other:
 In this case, even obsoleting parts (D.) can be ordered with the
 obsoleting part number, so select the parts with changed dates and
 place your orders.

変更箇所は、該当 Rev. No. 版をご参照ください。
 部品の互換性がない変更の場合は、削除された品番でも、ご注文できます。

No. 1636-02... Rev. No.

*A: Added parts 追加部品 / D: Obsoleting parts 削除部品 / E: Erratum 訂正

* No.	Rev. No.	Page No.	Ref. No.	Parts No. 品番	* No.	Rev. No.	Page No.	Ref. No.	Parts No. 品番
D	01	4	68	700-03363	A	02	4	68	700-04730

NUMERICAL INDEX OF PARTS

PART NO	PAGE	REF NO	PART NO	PAGE	REF NO	PART NO	PAGE	REF NO	PART NO	PAGE	REF NO
CQ-2000000-00	4	36	SM-6040800-SP	2	4	133-77809	8	50	400-31043	10	37
CQ-2020000-00	4	31	SM-6040800-SP	6	33	134-01906	2	5	400-31043	10	49
CQ-2020000-00	4	35	SM-6041000-SP	4	70	134-02706	2	32	400-31141	10	2
CS-0550781-CB	6	6	SM-6050652-TP	6	8	134-03407	2	13	400-31142	10	16
CS-0800881-TP	4	51	SM-6050652-TP	6	15	134-03605	2	26	400-31143	10	28
			SM-6050652-TP	6	21	134-03605	2	38	400-33341	2	44
EA-9500B02-00	6	48	SM-6050800-SP	2	37	134-09800	2	36	400-38091	4	8
			SM-6050802-TP	6	22	134-12002	4	28	400-38099	4	66
MTJ-MS000100	10	40	SM-6051002-TP	10	15	134-12101	4	29	400-38511	4	9
MUY-128S1000	8	2	SM-6060802-TP	6	46	134-12200	4	30	400-40137	4	20
MUY-128S1000	8	27	SM-6061002-TP	10	44	134-30806	8	5	400-40963	4	55
			SM-6061010-TP	4	25	134-30905	8	30			
NM-6030001-SD	8	23	SM-6081802-TP	10	45	134-33107	8	6	700-01414	2	34
NM-6030001-SD	8	48	SM-6082002-TP	10	39	134-33206	8	31	700-01648	2	28
NM-6040000-SN	2	49	SM-6082502-TP	10	48	144-20004	4	58	700-01653	2	3
NM-6040001-SC	2	17	SM-7040800-SL	8	16				700-01655	2	2
NM-6050002-SE	6	25	SM-7040800-SL	8	41	236-30007	2	14	700-01661	2	10
NM-6050002-SE	6	26	SM-8030312-TP	8	3				700-01677	2	39
NM-6080001-SC	10	21	SM-8030312-TP	8	28	400-10553	4	18	700-01854	4	2
NM-7040032-SC	6	40	SM-8030500-SP	8	21	400-16782	2	24	700-03346	4	67
NM-7040032-SC	6	45	SM-8030500-SP	8	46	400-20050	6	2	700-03351	2	43
			SM-8040302-TP	6	20	400-20053	6	3	700-03352	2	12
PH-0150065-C0	4	22	SM-8040360-TP	2	8	400-20054	6	12	700-03353	2	1
PH-0300162-C0	8	20	SM-8040360-TP	2	33	400-20055	6	4	700-03355	2	20
PH-0300162-C0	8	45	SM-8040412-TP	2	29	400-20056	6	14	700-03357	2	21
PH-0300252-C0	2	7	SM-8040412-TP	6	32	400-20057	6	9	700-03358	2	25
PS-0150042-K0	2	22	SM-8040512-TP	4	17	400-20060	6	5	700-03360	2	30
PS-0150065-KP	4	10	SM-8040512-TP	4	33	400-20062	6	11	700-03364	4	1
			SM-8040512-TP	4	46	400-20063	6	16	700-03366	4	3
RC-0100001-KP	10	18	SM-8040612-TP	4	42	400-20064	6	17	700-03367	4	4
RC-0100001-KP	10	30	SM-8041012-TP	2	16	400-20065	6	23	700-03368	4	5
RC-1200001-KP	10	10	SM-8050412-TP	4	52	400-20066	6	18	700-03369	4	13
RC-2200002-KP	10	23	SM-8050412-TP	4	54	400-20067	6	19	700-03370	4	15
RC-2200002-KP	10	34	SM-8050412-TP	10	4	400-20068	6	30	700-03371	4	16
RE-0300000-K0	4	64	SM-8050512-TP	4	27	400-20069	6	29	700-03372	4	26
RE-0500000-K0	6	31	SM-8050512-TP	4	38	400-20070	6	28	700-03373	4	32
RO-0371801-00	2	9	SM-8050612-TP	4	14	400-20071	6	24	700-03374	4	37
RO-0481901-00	4	44	SM-8050612-TP	4	50	400-21834	6	42	700-03375	4	39
RO-0552001-00	4	11	SM-8050612-TP	10	6	400-21835	6	37	700-03376	4	40
RO-0681901-00	4	41	SM-8050612-TP	10	11	400-21836	6	36	700-03377	4	43
						400-21837	6	39	700-03378	4	45
SB-1100009-00	10	17	WP-0550836-SC	6	27	400-21837	6	44	700-03379	4	48
SB-1100009-00	10	29	WP-0551626-SD	6	49	400-21838	6	38	700-03380	4	53
SB-1120002-00	10	7	WP-0621016-SD	10	14	400-21838	6	43	700-03383	4	56
SD-0640246-SP	2	42	WP-0851846-SC	10	25	400-21845	10	5	700-03384	4	59
SD-0640246-SP	2	50	WP-0851846-SC	10	36	400-22100	8	7	700-03385	4	61
SK-3483201-SE	10	27	WS-0510002-KP	2	35	400-22101	8	32	700-03389	4	49
SK-3483201-SE	10	38	WZ-0641510-KP	2	41	400-22103	8	8	700-03390	4	63
SM-1030501-SN	6	13	WZ-0641510-KP	2	46	400-22104	8	33	700-03391	10	42
SM-1040800-SP	2	31				400-22106	8	9	700-03392	10	46
SM-3061052-TP	10	13	118-46805	4	7	400-22106	8	34	700-03393	10	43
SM-4030455-SN	2	47	131-23302	4	65	400-22107	8	10	700-03394	4	47
SM-4030455-SP	4	23	131-31602	4	34	400-22107	8	35	700-03395	6	47
SM-4030455-SP	8	14	133-01908	4	73	400-22108	8	13	700-03399	2	52
SM-4030455-SP	8	19	133-02302	2	27	400-22108	8	38	700-03422	10	41
SM-4030455-SP	8	39	133-02500	4	6	400-22109	8	24	700-03425	4	71
SM-4030455-SP	8	44	133-50103	8	1	400-22109	8	49	700-03426	4	72
SM-4030655-SP	2	15	133-50301	8	26	400-24938	10	3	700-03427	4	69
SM-4030855-SN	2	48	133-50400	8	51	400-24944	10	35	700-03483	4	21
SM-4040655-SP	2	6	133-56001	8	4	400-24947	6	1	700-03687	10	1
SM-4040655-SP	2	53	133-56209	8	29	400-26581	6	41	700-04056	2	40
SM-4040655-SP	4	12	133-56308	8	52	400-26582	6	35	700-04253	4	19
SM-4040855-SP	2	18	133-76504	8	15	400-26641	2	45	700-04730	4	68
SM-4040855-SP	4	62	133-76504	8	40	400-30141	10	31			
SM-4040855-SP	6	50	133-76603	8	17	400-30142	10	32			
SM-4041055-SP	2	11	133-76603	8	42	400-30143	10	8			
SM-4041055-SP	2	23	133-76702	8	18	400-30144	10	9			
SM-4051255-SP	4	24	133-76702	8	43	400-30147	10	20			
SM-4060801-SE	2	51	133-76801	8	22	400-30148	10	19			
SM-6040502-TP	6	7	133-76801	8	47	400-30149	10	22			
SM-6040502-TP	6	10	133-77205	8	11	400-30150	10	24			
SM-6040650-TP	4	57	133-77205	8	36	400-30151	10	47			
SM-6040650-TP	4	60	133-77304	8	12	400-30152	10	33			
SM-6040650-TP	6	34	133-77304	8	37	400-30284	10	12			
SM-6040750-TP	2	19	133-77809	8	25	400-31043	10	26			