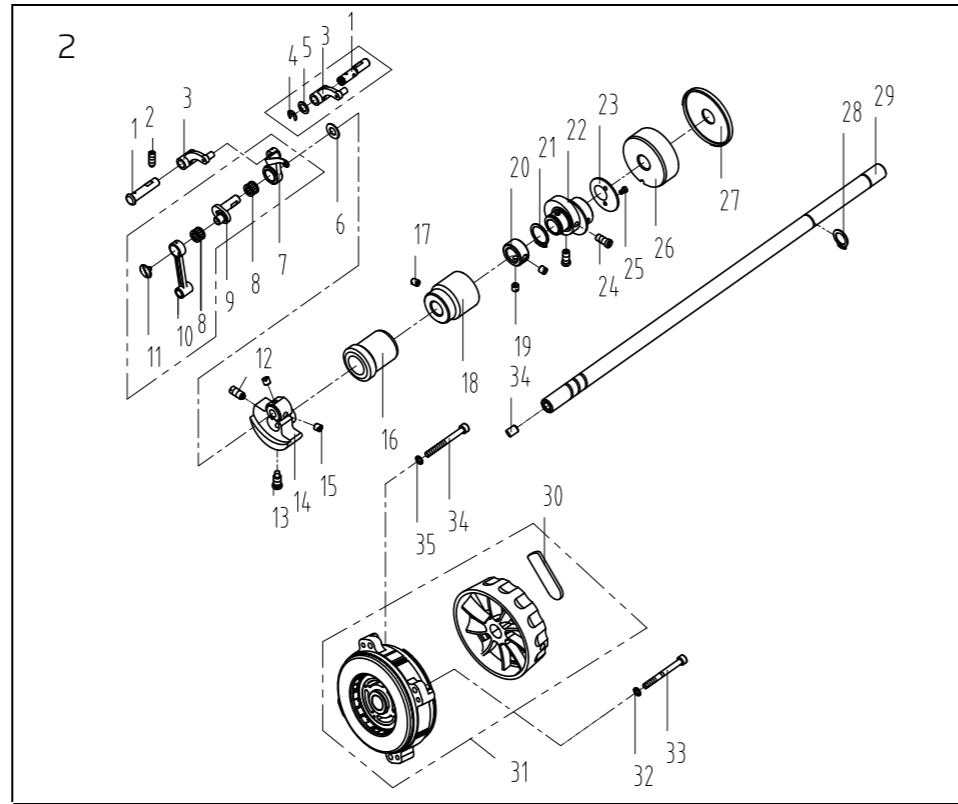


1. 机壳、外装分组件/Machine Frame & Miscellaneous Cover Components

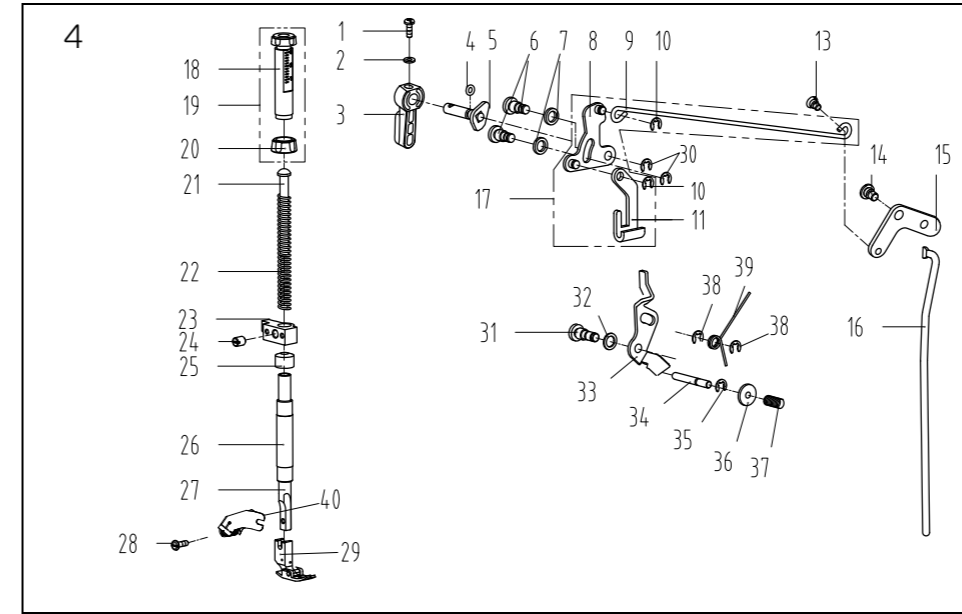
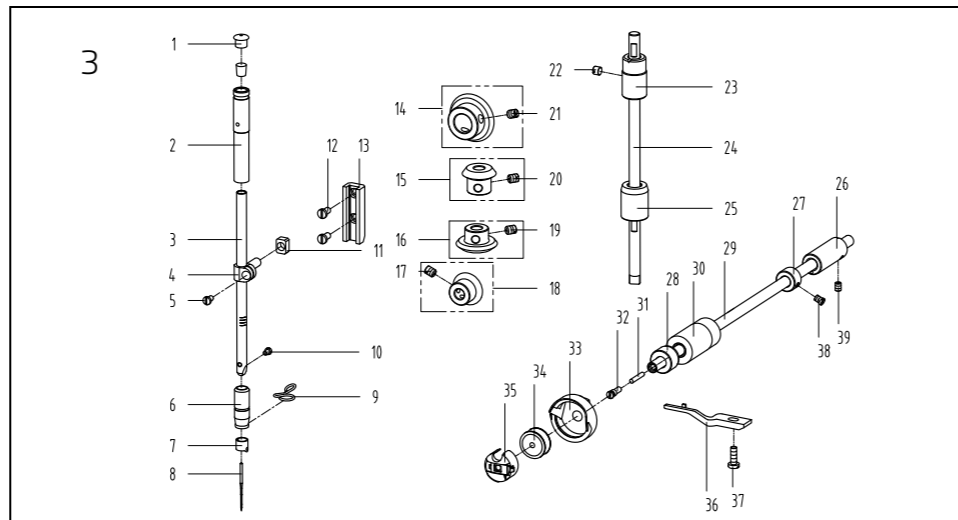
| 序号NO. | 公司件号 | Part NO. | 名称 | PartName | 零件描述 | Description | 数量 | Number |
|-------|------------|----------|------------------------|------------------------------|------|-------------|----|--------|
| 1 | 10151001 | | 后面板螺钉SM3/16"x28 L=9 | Screw SM3/16"x28 L=9 | | | 3 | 2 |
| 2 | 10120003 | | 面板调节孔螺塞 | Rubber plug | | | 2 | 2 |
| 3 | 13837002 | | 面板 | Head card | | | 1 | 1 |
| 4 | 302893 | | 面板(喷漆) | Face plate asm | | | 1 | 1 |
| 5 | 13813005 | | 左线轴 | Thread guide left | | | 1 | 1 |
| 6 | 10151007 | | 右线轴螺钉SM11/64"x40 L=6 | Screw SM11/64"x40 L=6 | | | 1 | 1 |
| 7 | 10122114 | | 面板板 | Face plate gasket | | | 1 | 1 |
| 8 | 10151027 | | 防进板螺钉SM1/8"x44 L=3.4 | Screw SM1/8"x44 L=3.4 | | | 1 | 1 |
| 9 | 10412007 | | 面部防油板 | Face oil shield asm | | | 1 | 1 |
| 10 | 1142082 | | 面部防油板(厚料) | Face oil shield asm. | | | 1 | 1 |
| 11 | 10123002 | | 针杆上毡套 | Rubber plug | | | 1 | 1 |
| 12 | 10122005 | | 针线轴销螺塞 | Rubber plug | | | 1 | 1 |
| 13 | 10122004 | | 针杆由螺螺塞 | Rubber plug | | | 1 | 1 |
| 14 | 10151004 | | 针线轴护罩螺钉SM3/16"x28 L=7 | Screw SM3/16"x28 L=7 | | | 1 | 1 |
| 15 | 13812018 | | 针线轴护罩 | Thread take-up lever cover | | | 1 | 1 |
| 16 | 10151004 | | 针线轴护罩螺钉SM3/16"x28 L=7 | Screw SM3/16"x28 L=7 | | | 1 | 1 |
| 17 | 1352004 | | 三孔线轴 | 3-hole thread guide | | | 1 | 1 |
| 18 | 10122005 | | 针线轴销螺塞 | Rubber plug | | | 1 | 1 |
| 19 | 11451001 | | 割线刀螺钉SM9/64"x40 L=6 | Screw SM9/64"x40 L=6 | | | 2 | 2 |
| 20 | 1149001 | | 割线刀 | knife | | | 1 | 1 |
| 21 | 20722002 | | 毡套 | Rubber plug | | | 1 | 1 |
| 22 | 1012213 | | 后面板垫 | Side plate gasket | | | 1 | 1 |
| 23 | 302892 | | 后面板(喷漆) | Side plate | | | 1 | 1 |
| 24 | 10151001 | | 后面板螺钉SM3/16"x28 L=9 | Screw SM3/16"x28 L=9 | | | 1 | 1 |
| 25 | 11453001 | | IK-8900-012驱动轴(内六角) | IK-8900-012 drive shaft | | | 1 | 1 |
| 26 | 11451001 | | IK-直驱电机螺钉M5*20 | Screw M5x20 | | | 3 | 3 |
| 27 | 10133046 | | E4-25A平缝一体机控制箱(带插头) | Electronic control box | | | 1 | 1 |
| 28 | 10122009 | | 送料调节孔螺塞 | Rubber plug | | | 1 | 1 |
| 29 | 10122007 | | 下轴工艺孔螺塞 | Rubber plug | | | 1 | 1 |
| 30 | 10151001 | | 底板支柱 | Machine head stud Electronic | | | 4 | 4 |
| 31 | W06001 | | 双面毡垫圈 | Washer | | | 1 | 1 |
| 32 | 10134041 | | 二孔线轴 | 2-hole thread guide | | | 1 | 1 |
| 33 | 206511002 | | IK-788-1175-3螺钉 | Screw | | | 1 | 1 |
| 34 | 10133004 | | 右线轴 | Thread guide right | | | 2 | 2 |
| 35 | 10151007 | | 右线轴螺钉SM11/64"x40 L=6 | Screw SM11/64"x40 L=6 | | | 1 | 1 |
| 36 | 10151006 | | 螺钉SM15/64"x28 L=7 | Screw SM15/64"x28 L=7 | | | 1 | 1 |
| 37 | 10126030 | | 线轴释放销 | Tension release pin | | | 1 | 1 |
| 38 | 10122014 | | 线轴调节器O形圈 | Rubber ring | | | 1 | 1 |
| 39 | 10151005 | | 夹线器螺钉SM9/64"x40 L=5.5 | Screw SM9/64"x40 L=5.5 | | | 1 | 1 |
| 40 | 10127001 | | 夹线器 | Thread take-up spring | | | 1 | 1 |
| 41 | 10103011 | | 夹线器(厚料) | Thread tension base | | | 1 | 1 |
| 42 | 10122005 | | 夹线板 | Thread tension disk | | | 1 | 1 |
| 43 | 1012006 | | 毡垫 | Disk stopper | | | 1 | 1 |
| 44 | 101530002 | | 夹线螺钉 | Thread tension post | | | 1 | 1 |
| 45 | 10127002 | | 夹线弹簧 | Thread tension spring A | | | 1 | 1 |
| 46 | 11427050 | | 夹线弹簧(厚料) | Thread tension spring A | | | 1 | 1 |
| 47 | 10122007 | | 夹线轴动板 | Thread disk rotating stopper | | | 1 | 1 |
| 48 | 138516013 | | 夹线螺母 | Thread tension nut | | | 1 | 1 |
| 49 | 101300800 | | 夹线器组件(厚料) | Thread tension asm. | | | 1 | 1 |
| 50 | 11413011 | | 固定式限位钩 | Thread guide | | | 1 | 1 |
| 51 | 401516001 | | 螺母SM9/64"x40 | Nut SM9/64"x40 | | | 1 | 1 |
| 52 | 13851002 | | 卷边器螺钉SM11/64"x40 L=5.5 | Screw SM11/64"x40 L=5.5 | | | 1 | 1 |
| 53 | 10151007 | | 卷边器 | Ruler stop seat | | | 1 | 1 |
| 54 | 13812019 | | 针板螺钉进口SM11/64"x40 | Screw SM11/64"x40 | | | 2 | 2 |
| 55 | 10451002 | | 针板(兄弟款) | Needle plate | | | 1 | 1 |
| 56 | 10150202 | | 针板(厚料) | Needle plate | | | 1 | 1 |
| 57 | 10150209 | | 针板(-7) | Needle plate | | | 1 | 1 |
| 58 | 10151019 | | 推板 | Slide plate | | | 1 | 1 |
| 59 | 1013001900 | | 推板簧 | Slide plate spring | | | 1 | 1 |
| 60 | 10151019 | | 推板簧螺钉SM3/32"x56 L=2 | Screw SM3/32"x56 L=2 | | | 2 | 2 |
| 61 | 1013051 | | LED灯开关组件 | LED asm | | | 1 | 1 |
| 62 | 10151001 | | 后面板螺钉SM3/16"x28 L=9 | Screw SM3/16"x28 L=9 | | | 1 | 1 |
| 63 | 1013051 | | 电线压板 | Cord hold | | | 1 | 1 |
| 64 | W01009 | | 毡垫5 | Washers | | | 4 | 4 |

零件手册 Parts Manual



2. 上轴挑线分组件/Main Shaft & Thread Take-up Components

| 序号NO. | 公司件号 | Part NO. | 名称 | PartName | 零件描述 | Description | 数量 | Number |
|-------|--------------|----------|--------------------------|-----------------------------------|------|-------------|----|--------|
| 1 | 11326013 | | 挑线连杆销 | Thread take-up connecting rod pin | | | 1 | 1 |
| 2 | 11326011 | | 挑线连杆销(厚料) | Thread take-up connecting rod pin | | | 1 | 1 |
| 3 | 11326010 | | 挑线连杆销(-7) | Thread take-up connecting rod pin | | | 1 | 1 |
| 4 | 10151001 | | 上轴螺钉 SM15/64"x28 L=15 | Screw SM15/64"x28 L=15 | | | 1 | 1 |
| 5 | 11305010 | | 挑线连杆(厚料) | Thread take-up connecting rod | | | 1 | 1 |
| 6 | H05013 | | GB/T199-1986挡圈 | Snap ring | | | 1 | 1 |
| 7 | 11328010 | | 垫片 | washer | | | 1 | 1 |
| 8 | 10120013 | | 针杆曲柄护板 | Needle bar crank protecting plate | | | 1 | 1 |
| 9 | 1013800100 | | 挑线杆分组件 | Thread take-up lever asm. | | | 1 | 1 |
| 10 | 113800200 | | 挑线杆组件(厚料, -7) | Thread take-up lever asm. | | | 1 | 1 |
| 11 | 10124001 | | 挑线杆滚针轴承 | Needle bearing | | | 1 | 1 |
| 12 | 10130012 | | 挑线杆轴分组件 | Thread take-up crank | | | 1 | 1 |
| 13 | 101000400 | | 挑线杆轴分组件(厚料) | Thread take-up crank | | | 1 | 1 |
| 14 | 11310010 | | 针杆连杆 | Needle bar connecting rod | | | 1 | 1 |
| 15 | 10151001 | | 挑线轴螺钉(左旋) | Screw | | | 1 | 1 |
| 16 | 10151004 | | 针杆曲柄固定螺钉 SM9/32"x28 L=16 | Screw SM9/32"x28 L=16 | | | 1 | 1 |
| 17 | 10151003 | | 针杆曲柄固定螺钉 SM9/32"x28 L=16 | Screw SM9/32"x28 L=16 | | | 1 | 1 |
| 18 | 10404001 | | 针杆曲柄 | Needle bar crank | | | 1 | 1 |
| 19 | 11404035 | | 针杆曲柄(厚料, -7) | Needle bar crank | | | 1 | 1 |
| 20 | 10130400 | | 送料轴前轴套 | Main shaft bushing front | | | 1 | 1 |
| 21 | 10151006 | | 送料轴前轴套 | Main shaft bushing front | | | 1 | 1 |
| 22 | 12203002 | | 主轴套轴套 | Main shaft bushing mid | | | 1 | 1 |
| 23 | 10151001 | | 上轴中套螺钉SM1/4"x40 L=6 | Screw SM1/4"x40 L=6 | | | 2 | 2 |
| 24 | 10108001 | | 上轴挡圈 | Main shaft thrust collar | | | 1 | 1 |
| 25 | H03002 | | 挡圈 20 | Snap ring 20 | | | 1 | 1 |
| 26 | 1130014 | | 送料偏心轮 | Feed eccentric cam | | | 1 | 1 |
| 27 | 4020006 | | 送料偏心轮(厚料) | Feed eccentric cam | | | 1 | 1 |
| 28 | 10121017 | | 送料偏心轮盖板 | Cover plate | | | 1 | 1 |
| 29 | 10151013 | | 送料偏心轮螺钉 SM1/4"x40 L=13 | Screw SM1/4"x40 L=13 | | | 2 | 2 |
| 30 | 10151005 | | 护针片螺钉 SM9/64"x40 L=5 | Screw SM9/64"x40 L=5 | | | 2 | 2 |
| 31 | 10103026 | | 上轴后轴套 | Main shaft bushing rear | | | 1 | 1 |
| 32 | 10122105 | | 上轴后套推油油封 | Oil seal | | | 1 | 1 |
| 33 | H03001 | | GB/T894.1-1986挡圈15 | Snap ring 15 | | | 1 | 1 |
| 34 | 10102026 | | 上轴 | Main shaft Handwheel | | | 1 | 1 |
| 35 | 13811021 | | 手轮轴套 | Idle | | | 1 | 1 |
| 36 | 10133045 | | M4-25A平缝一体机电机 | Motor | | | 1 | 1 |
| 37 | GB/T93-1987 | | 弹簧 M5*20 | Spring washer 20 | | | 3 | 3 |
| 38 | 11453001 | | IK-直驱电机螺钉M5*20 | Screw M5x20 | | | 1 | 1 |
| 39 | S05218 | | 弹垫5 | Spring washer 5 | | | 1 | 1 |
| 40 | GB/T193-1987 | | 挡垫5 | Spring washer 5 | | | 1 | 1 |

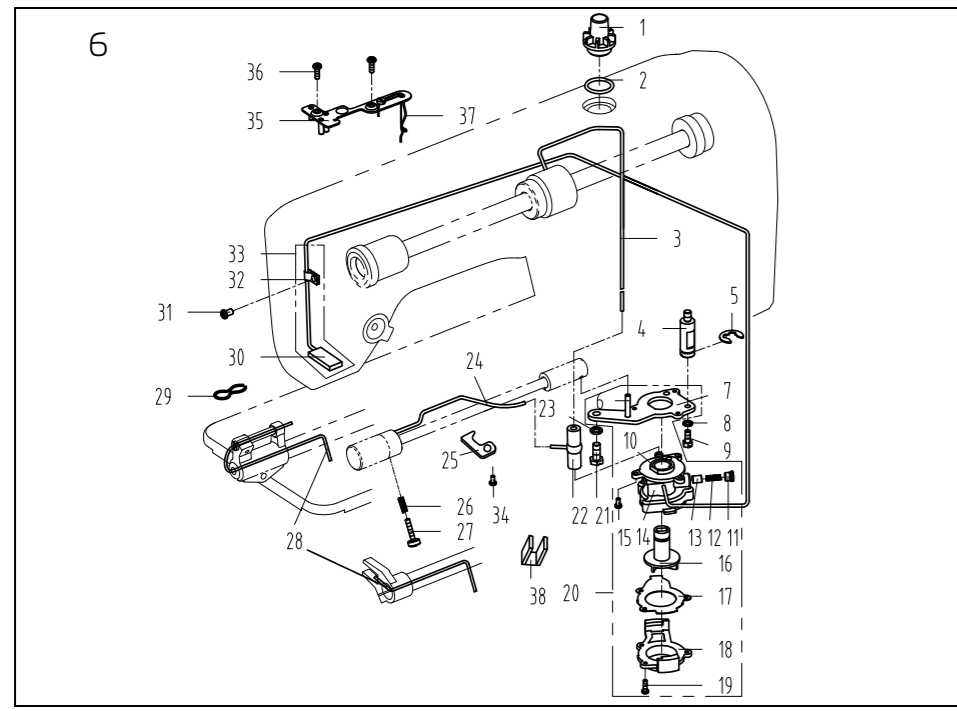


4. 压料分组件/Presser Bar Components

| 序号NO. | 公司件号 | Part NO. | 名称 | PartName | 零件描述 | Description | 数量 | Number |
|-------|------------|----------|-------------------------|---------------------------------|------|-------------|----|--------|
| 1 | 10151010 | | 压脚板手螺钉SM9/64"x40 L=11 | Screw SM9/64"x40 L=11 | | | 1 | 1 |
| 2 | 10129002 | | 压脚板手螺钉垫圈 | Washer | | | 1 | 1 |
| 3 | 13811029 | | 压脚板手 | Hand lifter | | | 1 | 1 |
| 4 | 1010104 | | O形圈 | Rubber ring | | | 1 | 1 |
| 5 | 101000200 | | 压脚板手凸轮分组件 | Hand lifter cam asm. | | | 1 | 1 |
| 6 | 10152001 | | 前杆杆螺帽 | Screw | | | 2 | 2 |
| 7 | 10128015 | | 螺母橡胶垫圈(厚) | Washer | | | 2 | 2 |
| 8 | 101100100 | | 抬压脚前杆分组件 | Lift front lever component | | | 1 | 1 |
| 9 | 10112013 | | 抬压脚拉杆 | Knee lifter pull rod | | | 1 | 1 |
| 10 | H05003 | | GB/T896-1986挡圈 5 | Snap ring | | | 2 | 2 |
| 11 | 1012010 | | 压脚升降板 | Lifting plate | | | 1 | 1 |
| 12 | 10152004 | | 抬压脚拉杆螺钉SM3/16"x32 | Hinge Screw SM3/16"x32 | | | 1 | 1 |
| 13 | 101520003 | | 后杆杆轴位螺钉SM15/64"x28 | Screw SM15/64"x28 | | | 1 | 1 |
| 14 | 10102014 | | 抬压脚后杆 | Knee lifter back lever | | | 1 | 1 |
| 15 | 1012015 | | 抬压脚顶杆 | Knee lifter connecting rod | | | 1 | 1 |
| 16 | 10120100 | | 抬压脚顶杆螺母 | Knee lifter lever asm | | | 1 | 1 |
| 17 | 13811027 | | 调压螺母 | Press regulating screw | | | 1 | 1 |
| 18 | 13811027 | | 调压螺母 | Press regulating screw nut asm. | | | 1 | 1 |
| 19 | 13811028 | | 调压螺母 | Press regulating nut | | | 1 | 1 |
| 20 | 10102003 | | 调压螺母 | Press regulating guide bar | | | 1 | 1 |
| 21 | 11427013 | | 调压螺母 | Press regulating spring | | | 1 | 1 |
| 22 | 10409001 | | 压杆导架 | Presser bar guide bracket | | | 1 | 1 |
| 23 | 10151007 | | 压杆导架螺钉 SM1/4"x40 L=8 | Screw SM1/4"x40 L=8 | | | 1 | 1 |
| 24 | 10121012 | | 压杆导架油封 | Pressure bar oil cover | | | 1 | 1 |
| 25 | 10103012 | | 压杆衬套 | Presser bar bushing/lower | | | 1 | 1 |
| 26 | 10103012 | | 压杆衬套 | Presser bar bushing/lower | | | 1 | 1 |
| 27 | 10102004 | | 压杆 | Presser bar | | | 1 | 1 |
| 28 | 10151009 | | 活压脚螺钉 SM9/64"x40 L=10.5 | Screw SM9/64"x40 L=10.5 | | | 1 | 1 |
| 29 | 1013600600 | | 压脚脚垫 | Presser foot asm | | | 1 | 1 |
| 30 | 101360100 | | 压脚脚垫 | Presser foot asm | | | 1 | 1 |
| 31 | 11329020 | | 挡圈 5 | Snap ring | | | 5 | 5 |
| 32 | 10152002 | | 送料轴轴套 | Screw | | | 1 | 1 |
| 33 | 1012012 | | 送料轴轴套 | Washer | | | 1 | 1 |
| 34 | 10126003 | | 送料轴轴套 | Wire release plate asm | | | 1 | 1 |
| 35 | H05012 | | 送料轴轴套 | Thread release supporting pin | | | 1 | 1 |
| 36 | H05012 | | 送料轴轴套 | Snap ring | | | 1 | 1 |
| 37 | 10127003 | | 送料轴轴套 | Washer plate | | | 1 | 1 |
| 38 | H05003 | | 送料轴轴套 | Snap ring | | | 1 | 1 |
| 39 | 10127008 | | 送料轴轴套 | Reset spring | | | 2 | 2 |
| 40 | 101900100 | | 送料轴轴套 | Knife | | | 1 | 1 |

3. 针杆、竖轴、下轴部件/Needle bar,Upright Shaft & Hook Driving Shaft Components

| 序号NO. | 公司件号 | Part NO. | 名称 | PartName | 零件描述 | Description | 数量 | Number |
|-------|----------|----------|--------------------------|----------------------------|------|-------------|----|--------|
| 1 | 10122013 | | 针杆上衬套 | Rubber plug | | | 1 | 1 |
| 2 | 10103009 | | 针杆上衬套 | Needle bar bushing upper | | | 1 | 1 |
| 3 | 10102002 | | 针杆 | Needle bar | | | 1 | 1 |
| 4 | 10102021 | | 针杆(厚料) | Needle bar | | | 1 | 1 |
| 5 | 10138001 | | 针杆连接柱 | Needle bar connecting rod | | | 1 | 1 |
| 6 | 10151005 | | 螺钉 SM9/64"x40 L=6 | Screw SM9/64"x40 L=6 | | | 1 | 1 |
| 7 | 10103010 | | 针杆衬套 | Needle bar bushing lower | | | 1 | 1 |
| 8 | 10103023 | | 针杆衬套(厚料, -7) | Needle bar bushing lower | | | 1 | 1 |
| 9 | 10103022 | | 针杆线轴 | Needle bar thread guide | | | 1 | 1 |
| 10 | 1142063 | | 针杆线轴(厚料) | Needle bar thread guide | | | 1 | 1 |
| 11 | 10171001 | | 机针DP*5#21(厚料) | Needle | | | 1 | 1 |
| 12 | 10171002 | | 机针DP*5#21(厚料) | Needle | | | 1 | 1 |
| 13 | 10413001 | | 针杆下衬套线轴 | Lower bushing thread guide | | | 1 | 1 |
| 14 | 10130009 | | 针杆下轴套线轴(厚料, -7) | Lower bushing thread guide | | | 1 | 1 |
| 15 | 10151006 | | 支针螺钉(进口) SM1/8"x44 L=4.5 | Screw SM1/8"x44 L=4.5 | | | 1 | 1 |
| 16 | 10109001 | | 针杆连接柱滑块 | Slide block | | | 1 | 1 |
| 17 | 10151008 | | 滑块导轨螺钉SM11/64"x40 L=8 | Screw SM11/64"x40 L=8 | | | 2 | 2 |
| 18 | 10109002 | | 针杆接头滑块导轨 | Needle bar guide | | | 1 | 1 |
| 19 | 10425004 | | 上轴伞齿轮 | Upper shaft bevel gear | | | | |

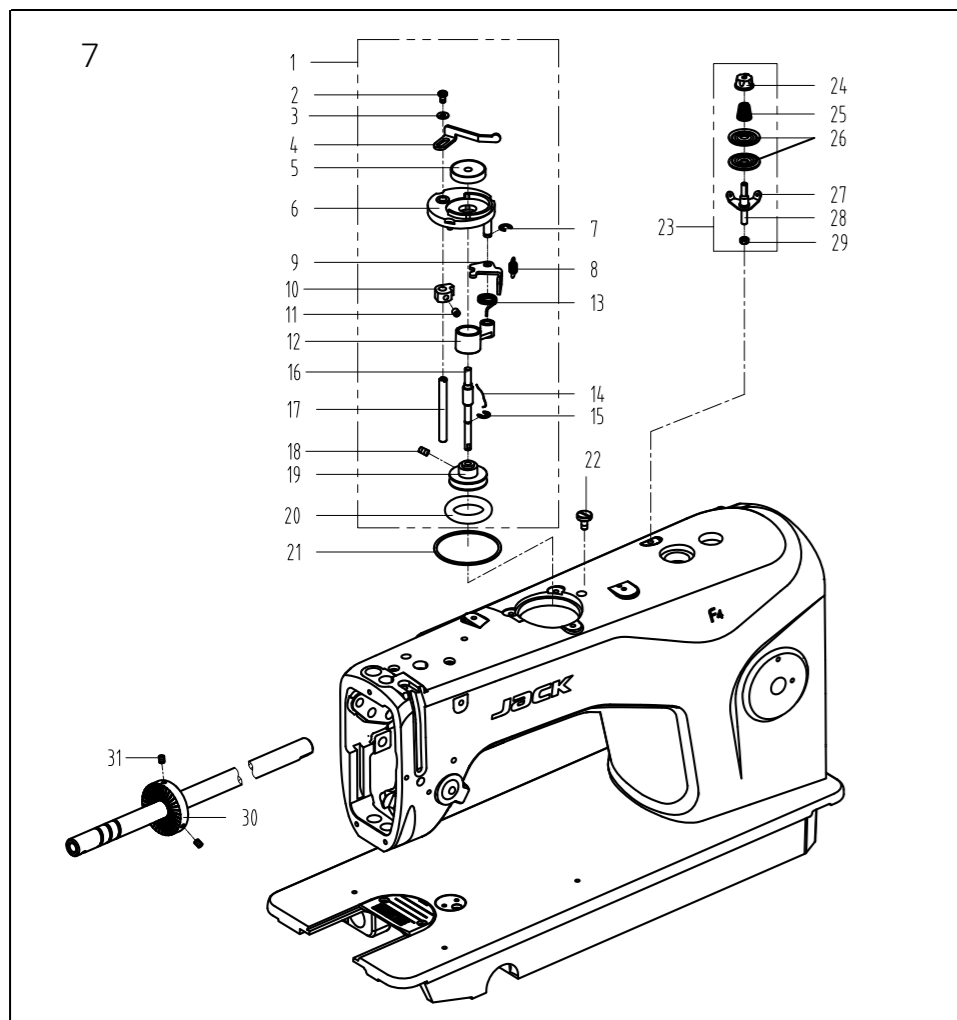


7. 绕线器组件/ Bobbin Components

| 序号NO | 公司件号 | Part NO. | 名称 | PartName | 零件描述 | Description | 数量 | Number |
|------|---------------|----------|-------------------|----------|------------------------------|-------------|----|--------|
| 1 | 1383103900 | | 绕线器组件 | | Bobbin winder asm. | | 1 | 1 |
| 2 | 11451008 | | 螺钉M4x6 | | Screw M4x6 | | 1 | 1 |
| 3 | GB/T9711 | | 垫圈4 | | Washer | | 1 | 1 |
| 4 | 10113030 | | 压线控制板 | | Thread press control plate | | 1 | 1 |
| 5 | 1011120 | | 绕线衬垫 | | Winding pad | | 1 | 1 |
| 6 | 13831101 | | 绕线器装置底座 | | Bobbin winder bed | | 1 | 1 |
| 7 | GB/T 896-1986 | | 开口挡圈5 | | Snap ring | | 1 | 1 |
| 8 | 10127061 | | 复位板拉簧 | | Spring | | 1 | 1 |
| 9 | 13812710 | | 调节板 | | Regulating plate | | 1 | 1 |
| 10 | 10110030 | | 绕线凸轮 | | Bobbin winder cam | | 1 | 1 |
| 11 | S09042 | | 螺钉 | | Screw | | 1 | 1 |
| 12 | 1380510600 | | 绕线器连杆组件 | | Bobbin winder connecting rod | | 1 | 1 |
| 13 | 13827103 | | 调线复位簧 | | Spring | | 1 | 1 |
| 14 | 10127060 | | 弹簧 | | Spring | | 1 | 1 |
| 15 | GB/T 896-1986 | | 开口挡圈4 | | Snap ring | | 1 | 1 |
| 16 | 13802111 | | 绕线器主轴 | | Bobbin winder main shaft | | 1 | 1 |
| 17 | 13802036 | | 绕线器凸轮轴 | | Bobbin winder cam shaft | | 1 | 1 |
| 18 | S09103 | | 绕线器螺钉 | | Screw | | 2 | 2 |
| 19 | 13831102 | | 绕线器轮 | | Bobbin winder wheel | | 1 | 1 |
| 20 | O01110 | | O型圈 | | O-ring | | 1 | 1 |
| 21 | 11422062 | | 密封垫 | | Washer | | 1 | 1 |
| 22 | 114511003 | | 螺钉SM3/16"×28 L=10 | | Screw SM3/16"×28 L=10 | | 3 | 3 |
| 23 | 1381300600 | | 底座夹线器 | | Bobbin thread tension asm. | | 1 | 1 |
| 24 | 13811004 | | 夹线螺母 | | Thread tension nut | | 1 | 1 |
| 25 | 11427006 | | 小夹线弹簧 | | Spring | | 1 | 1 |
| 26 | 10120005 | | 夹线板 | | Thread tension disk | | 2 | 2 |
| 27 | 11413022 | | 夹线过线板 | | Thread tension guide plate | | 1 | 1 |
| 28 | 112519004 | | 夹线螺钉 | | Screw | | 1 | 1 |
| 29 | 11455001 | | 螺母SM11/64"×40 | | Nut SM11/64"×40 | | 1 | 1 |
| 30 | 11432013 | | 绕线器驱动轮 | | Driving wheel | | 1 | 1 |
| 31 | S10009 | | 螺钉M6×8 | | Screw M6×8 | | 2 | 2 |

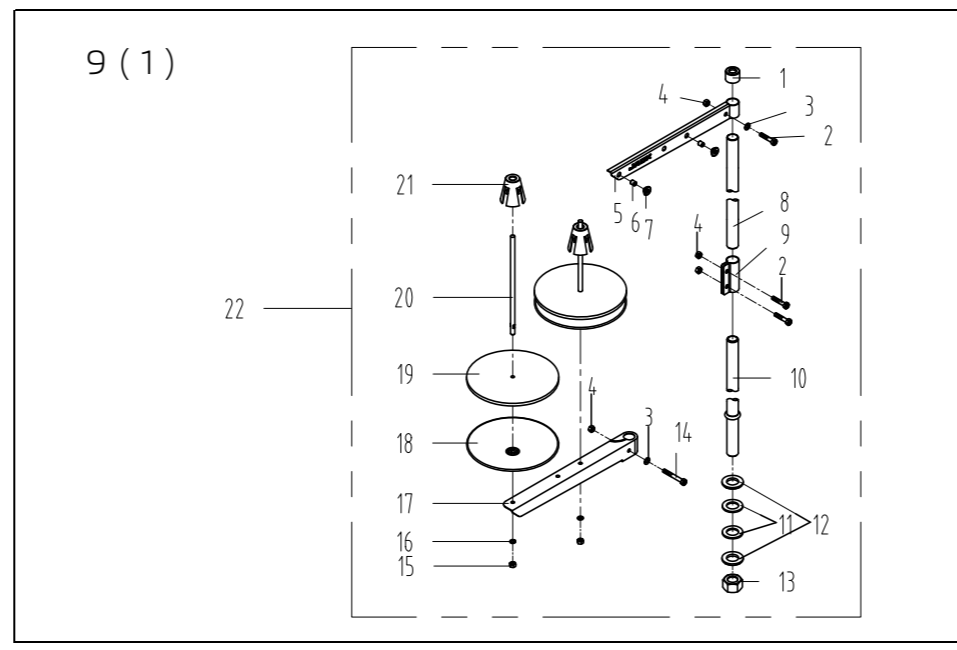
6. 润滑组件/Oil Lubrication Components

| 序号NO | 公司件号 | Part NO. | 名称 | PartName | 零件描述 | Description | 数量 | Number |
|------|-----------|----------|-----------------------|----------|--------------------------------|-------------|----|--------|
| 1 | 1121004 | | 油窗 | | Oil sight window | | 1 | 1 |
| 2 | 10122019 | | 油圈O形圈 | | Rubber ring | | 1 | 1 |
| 3 | 11421008 | | 上轴供油管 | | Main shaft oil tube | | 1 | 1 |
| 4 | 101530008 | | 油泵连接螺栓 | | Oil pump connecting stud | | 1 | 1 |
| 5 | 11329010 | | 开口挡圈10 | | Snap ring 10 | | 1 | 1 |
| 6 | 10121001 | | 下轴供油管 | | Hook driving shaft oil tube | | 1 | 1 |
| 7 | 10112020 | | 油泵安装板 | | Oil pump installing base | | 1 | 1 |
| 8 | W03002 | | 弹垫 | | Spring washer | | 1 | 1 |
| 9 | 10151101 | | 压紧螺钉SM11/64"×40 L=9.5 | | Screw SM11/64"×40 L=9.5 | | 1 | 1 |
| 10 | 10130022 | | 油泵体衬套 | | Oil pump bushing | | 1 | 1 |
| 11 | 101530007 | | 柱塞螺钉 | | Plunger screw | | 1 | 1 |
| 12 | 10127013 | | 柱塞簧 | | Plunger spring | | 1 | 1 |
| 13 | 10122018 | | 回油柱塞 | | Plunger | | 1 | 1 |
| 14 | 10120001 | | 油泵体 | | Oil pump | | 1 | 1 |
| 15 | 504009 | | 油泵螺钉 | | Screw | | 3 | 3 |
| 16 | 1011003 | | 油泵叶轮 | | Oil pump impeller | | 1 | 1 |
| 17 | 1012021 | | 油泵叶轮托板 | | Oil pump impeller cover | | 1 | 1 |
| 18 | 1011007 | | 油泵盖 | | Lubricating oil pump cover | | 1 | 1 |
| 19 | 101530006 | | 螺钉 | | Screw | | 3 | 3 |
| 20 | 101200100 | | 润滑分部件 | | Lubricating oil pump component | | 1 | 1 |
| 21 | 10151026 | | 螺钉SM15/64"×28 L=9 | | Screw SM15/64"×28 L=9 | | 1 | 1 |
| 22 | 10196001 | | 供油接头 | | Rubber joint | | 1 | 1 |
| 23 | W02004 | | GB/T93-1987弹垫M6 | | Spring Washer M6 | | 1 | 1 |
| 24 | 10121006 | | 供油管 | | Hook oil tube | | 1 | 1 |
| 25 | 10112022 | | 旋绕供油管压板 | | Tube holder (lower) | | 1 | 1 |
| 26 | 10127014 | | 油量调节螺钉弹簧 | | Spring | | 1 | 1 |
| 27 | 101530009 | | 油量调节螺钉 | | Screw | | 1 | 1 |
| 28 | 10423005 | | 油线 | | Oil wick | | 1 | 1 |
| 29 | 10127015 | | 回油毡垫 | | Oil felt clamp | | 1 | 1 |
| 30 | 10123006 | | 回油毡 | | Oil felt felt | | 1 | 1 |
| 31 | 101511004 | | 挑线杆护套螺钉SM3/16"×28 L=7 | | Screw SM3/16"×28 L=7 | | 1 | 1 |
| 32 | 1012023 | | 回油管夹 | | Oil tube clamp | | 1 | 1 |
| 33 | 10121007 | | 回油管组件 | | Oil return tube component | | 1 | 1 |
| 34 | 101511026 | | 螺钉SM15/64"×28 L=9 | | Screw SM15/64"×28 L=9 | | 1 | 1 |
| 35 | 10121025 | | 油线固定板 | | Oil wick fixing plate | | 1 | 1 |
| 36 | 10151010 | | 压脚螺钉SM9/64"×40 L=11 | | Screw SM9/64"×40 L=11 | | 2 | 2 |
| 37 | 10123010 | | 油线 | | Oil wick | | 1 | 1 |
| 38 | 1012053 | | 油线夹 | | Wick clip | | 1 | 1 |



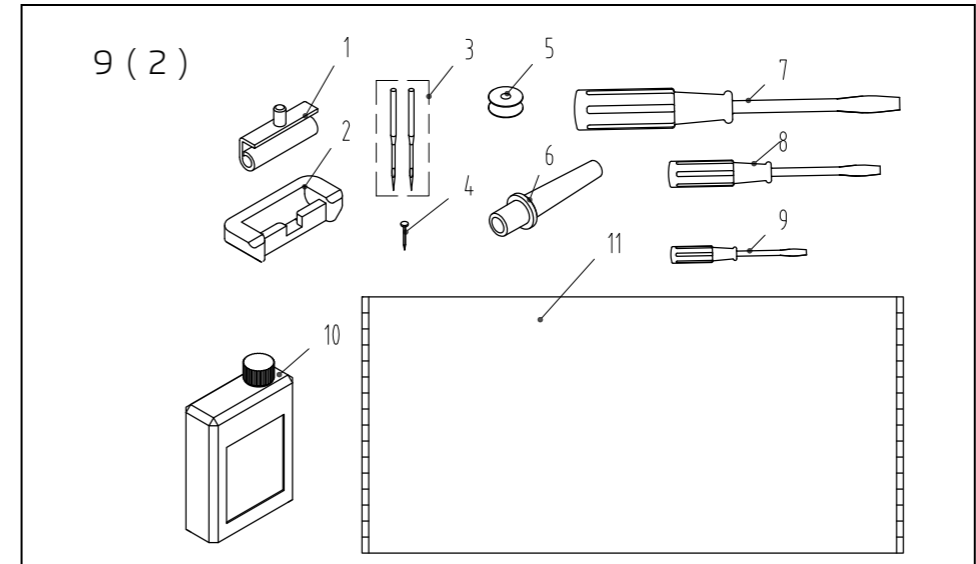
8. 油盘、膝抬压脚分组件/Oil Reservoir, Knee Lifter Components

| 序号NO | 公司件号 | Part NO. | 名称 | PartName | 零件描述 | Description | 数量 | Number |
|------|-----------|----------|---------------------|----------|------------------------------|-------------|----|--------|
| 1 | 10122022 | | 油盘座垫 | | Oil reservoir rubber cushion | | 2 | 2 |
| 2 | 10101006 | | 油盘 | | Oil Reservoir | | 1 | 1 |
| 3 | 10110005 | | 抬压脚顶杆 | | Knee lifter push rod | | 1 | 1 |
| 4 | 10122020 | | 油盘垫 | | Oil Reservoir gasket | | 1 | 1 |
| 5 | 10122021 | | O形圈 | | Rubber ring | | 1 | 1 |
| 6 | 101511028 | | 排油孔螺钉SM5/16"×24 L=7 | | Screw SM5/16"×24 L=7 | | 1 | 1 |
| 7 | 10131001 | | 油盘磁铁 | | Oil reservoir magnet | | 1 | 1 |
| 8 | 10122023 | | 油盘支架 | | Oil reservoir rubber cushion | | 2 | 2 |
| 9 | 1012027 | | 抬压脚双向曲柄 | | Knee lifter crank | | 1 | 1 |
| 10 | 10127016 | | 双向曲柄扭簧 | | Knee lifter spring | | 1 | 1 |
| 11 | H05010 | | GB/T896-1986挡圈10 | | Snap ring 10 | | 1 | 1 |
| 12 | 10102011 | | 抬压脚轴 | | Knee lifter shaft | | 1 | 1 |
| 13 | 10155012 | | 双向曲柄限位调节螺钉M6 L=30 | | Screw M6 L=30 | | 2 | 2 |
| 14 | 10156004 | | 双向曲柄限位调节螺母 M6 L=4 | | Nut M6 L=4 | | 2 | 2 |
| 15 | 10152002 | | 双向曲柄螺钉M6 L=26 | | Screw M6 L=26 | | 1 | 1 |
| 16 | 10101008 | | 抬压脚轴承杆节头 | | Bearing bracket | | 1 | 1 |
| 17 | 10152003 | | 螺钉M8 L=16 | | Screw M8 L=16 | | 1 | 1 |
| 18 | 101202800 | | 操纵杆组件 | | Knee press plate asm. | | 1 | 1 |
| 19 | 10152004 | | 螺钉M6 L=11 | | Screw M6 L=11 | | 1 | 1 |
| 20 | 1012030 | | 操纵杆节头 | | Knee press plate holder | | 1 | 1 |
| 21 | 1012029 | | 操纵板 | | Knee press plate | | 1 | 1 |
| 22 | 1012028 | | 操纵杆 | | Knee press plate rod | | 1 | 1 |
| 23 | 1012025 | | 操纵杆垫 | | Rubber | | 1 | 1 |
| 24 | 10122024 | | 操纵板软垫 | | Knee press plate cover | | 1 | 1 |



9. 机头附件(1)-线架组件/Machine Head Accessories(1)-Thread Stand Components

| 序号NO | 公司件号 | Part NO. | 名称 | PartName | 零件描述 | Description | 数量 | Number |
|------|------------|----------|-----------|----------|-------------------------------|-------------|----|--------|
| 1 | 20131019 | | 线架杆顶部护橡皮 | | Spool rest rod rubber cap | | 1 | 1 |
| 2 | S04050 | | 螺钉M5 L=16 | | Screw M5 L=16 | | 3 | 3 |
| 3 | W01047 | | 垫圈M5 | | Washer M5 | | 2 | 2 |
| 4 | N01034 | | 螺母M5 | | Nut M5 | | 4 | 4 |
| 5 | 13831022 | | 上线架过线杆 | | Spool rest arm upper | | 1 | 1 |
| 6 | 10113011 | | 过线圈(内) | | Thread guide ring | | 2 | 2 |
| 7 | 10113010 | | 过线圈(外) | | Thread guide ring | | 2 | 2 |
| 8 | 13831019 | | 线架杆上节 | | Spool rest rod upper | | 1 | 1 |
| 9 | 13831021 | | 线架杆接头 | | Spool rest rod joint | | 1 | 1 |
| 10 | 13831020 | | 线架杆下节 | | Spool rest rod lower | | 1 | 1 |
| 11 | 10122106 | | 橡胶垫圈 | | Spool rest rod rubber ring | | 2 | 2 |
| 12 | W01048 | | 垫圈M16 | | Washer M16 | | 2 | 2 |
| 13 | N02004 | | 螺母 M16 | | Spool rest rod nut M16 | | 1 | 1 |
| 14 | S04051 | | 螺钉 M5 | | Spool rest arm lower screw M5 | | 1 | 1 |
| 15 | N01034 | | 螺母 M5 | | Nut M5 | | 2 | 2 |
| 16 | W02027 | | 弹簧垫圈 M5 | | Spring washer M5 | | 2 | 2 |
| 17 | 13831023 | | 下线架过线杆 | | Spool rest arm lower | | 1 | 1 |
| 18 | 13831024 | | 线盘 | | Spool rest | | 2 | 2 |
| 19 | 20131010 | | 线盘垫 | | Spool rest cushion | | 2 | 2 |
| 20 | 20131006 | | 线盘钉 | | Spool pin | | 2 | 2 |
| 21 | 13831025 | | 线架防松垫 | | Spool rest retainer | | 2 | 2 |
| 22 | 1383100300 | | 线架组件(蓝色) | | Thread stand asm. | | 1 | 1 |



9. 机头附件(2)/Machine Head Accessories(2)

| 序号NO | 公司件号 | Part NO. | 名称 | PartName | 零件描述 | Description | 数量 | Number |
|------|------------|----------|---------------|----------|--------------------------------|-------------|----|--------|
| 1 | 1011203100 | | 机头连接钩座 | | Hinge component | | 2 | 2 |
| 2 | 10122060 | | 机头连接钩座 | | Head connecting rubber cushion | | 2 | 2 |
| 3 | 10117012 | | 机针DBx#14 (薄料) | | Needle | | 4 | 4 |
| 4 | 101530010 | | 机针DPx#21 (厚料) | | Needle | | 4 | 4 |
| 5 | 10118003 | | 机头连接钩座钉 | | Nail | | 4 | 4 |
| 6 | 1011011 | | 机头连接钩座钉 | | Bobbin | | 2 | 2 |
| 7 | 20731047 | | 机头支柱 | | Machine head rest pin | | 1 | 1 |
| 8 | 10131003 | | 螺丝刀(大) | | Screw driver, large | | 1 | 1 |
| 9 | 10131004 | | 螺丝刀(中) | | Screw driver, medium | | 1 | 1 |
| 10 | 10131004 | | 螺丝刀(小) | | Screw driver, small | | 1 | 1 |
| 11 | 101101200 | | 油窗零件 | | Oiler component | | 1 | 1 |
| 12 | 40131017 | | 防尘罩 | | Dust cover | | 1 | 1 |

杰克缝纫机股份有限公司 JACK SEWING MACHINE CO., LTD.

公司地址(Address of Company):
台州市椒江区机场南路15号
No.15 Rd Airport South, Jiaojiang District Taizhou City, Zhejiang, P.R.C
邮编(Zip Code): 318000
国内销售部(Domestic Trade Department):
电话(TEL): 0086-0576-8817788 8817789
传真(FAX): 0086-0576-8817758
国际贸易部(International Trade Department):
电话(TEL): 0086-0576-8817782 8817774
传真(FAX): 0086-0576-8817787
服务热线: 400-8876858
http://www.chinajack.com
资料如有更改, 恕不另行通知, 以实物为准。
You will be not informed if the file has been revised. Please set sample as standard.
2016年11月版